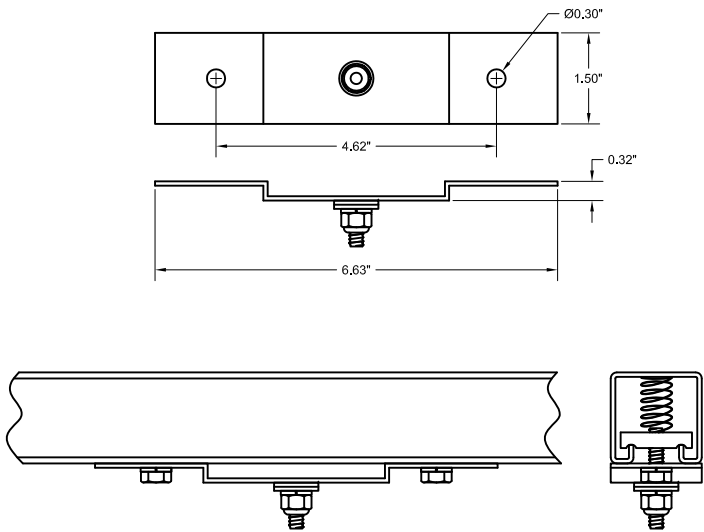
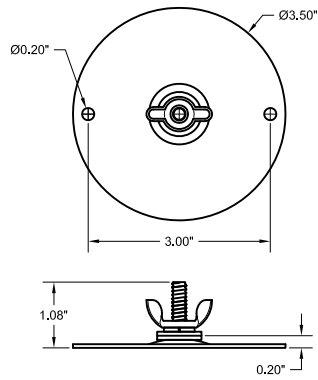


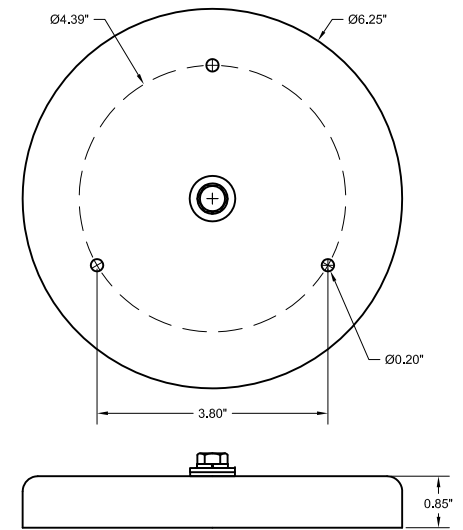
US1 Unistrut Adapter for mounting fixtures to standard Unistrut, Kindorf, or the like. Fixture mounting stud is 1/4"-20 TPI x 1/2", locking nut provided.



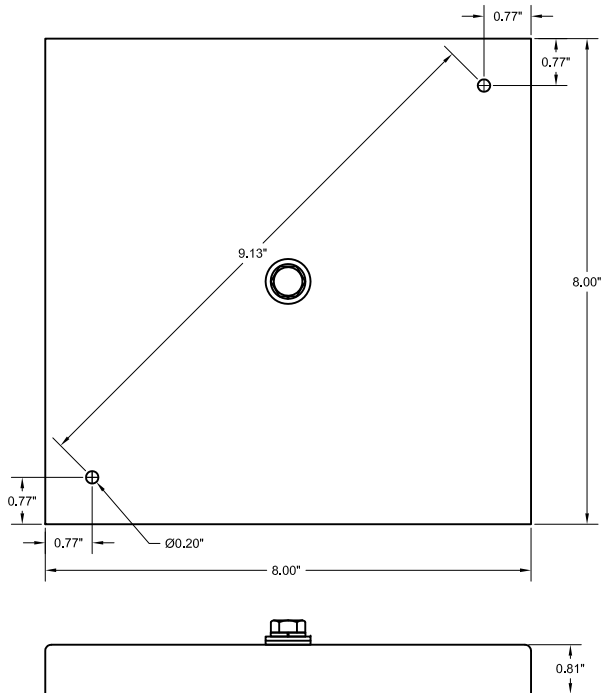
TB3 Table Base for lightweight fixtures can be mounted to any flat surface. Fixture mounting stud is 1/4"-20 TPI x 7/8", wingnut provided.



TB4 Table Base for lightweight fixtures can be mounted to any flat surface. Fixture mounting bolt is 1/4"-20 TPI x 1/2".



TB8 Table Base for heavy fixtures can be mounted to any flat surface. Fixture mounting bolt is 5/16"-18 TPI x 1/2".



CM4 Canopy can be mounted to any standard electrical box using the provided Adapter Plate. Fixture mounting nipple with nut is 1/4"-18.

