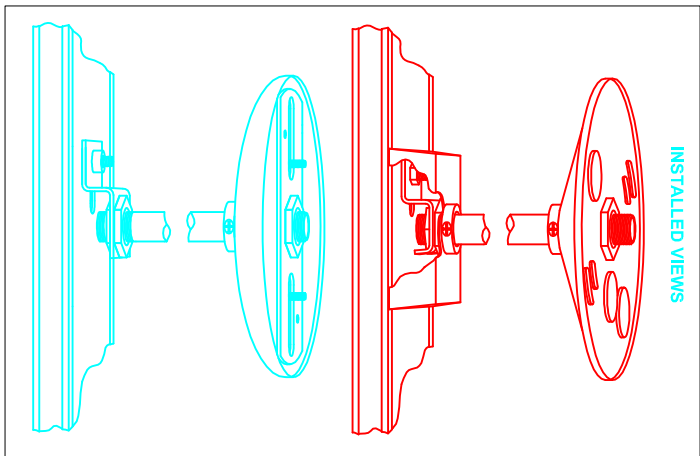
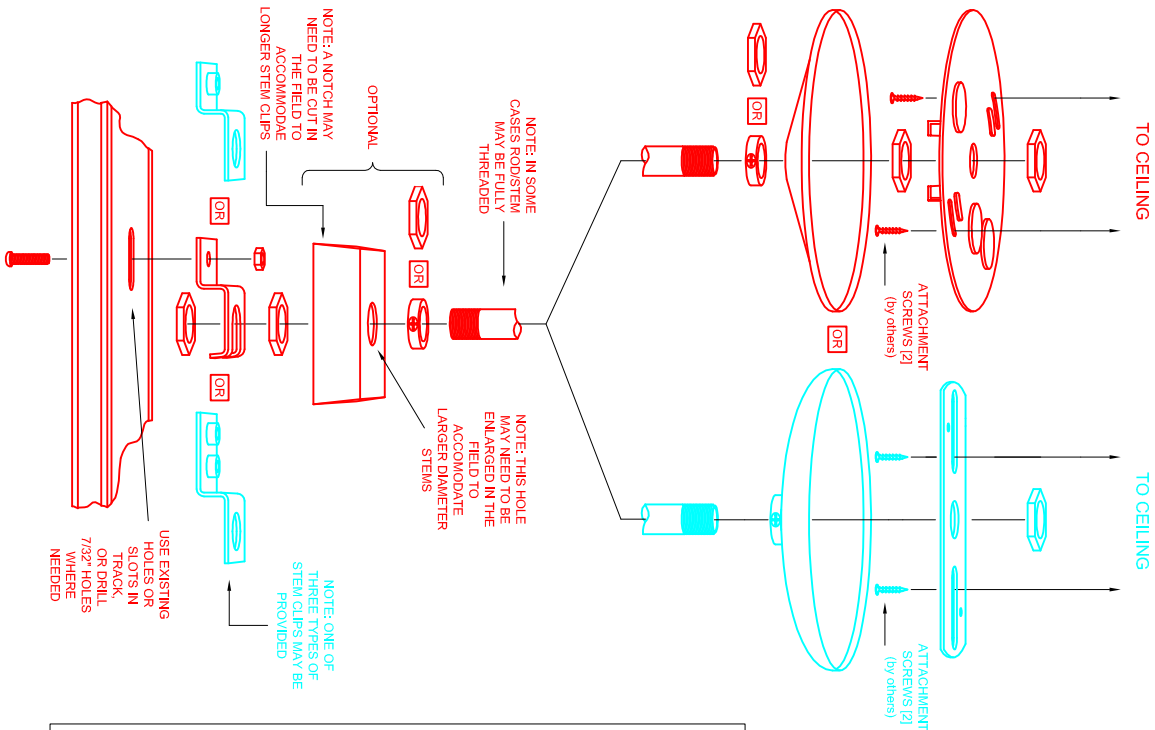
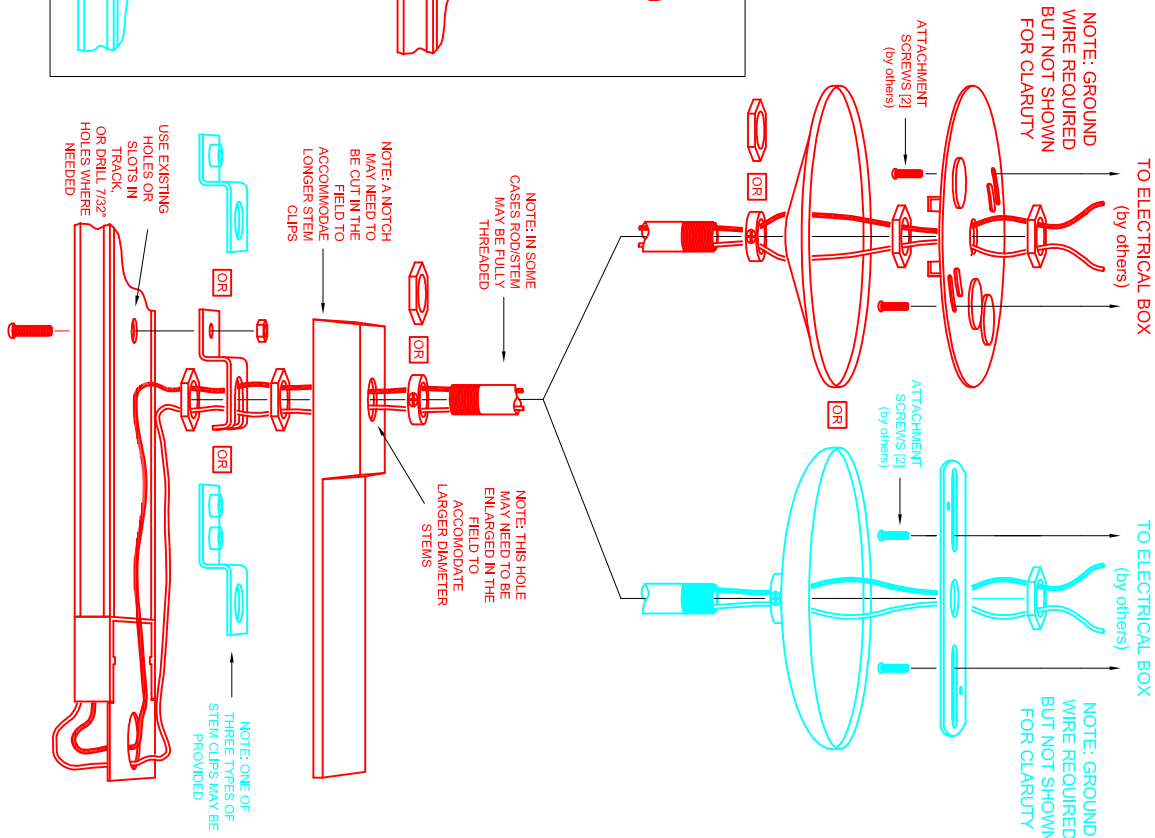


**FOR TRACK SUPPORT ONLY:
INSTALL COMPONENTS AS SHOWN BELOW**



**FOR TRACK SUPPORT AND ELECTRICAL FEED:
INSTALL COMPONENTS AS SHOWN BELOW**



A	06-06-13	ADD ADD'L NOTATIONS	TPT
-	-	-	-
-	-	-	-
-	-	-	-
REV	DATE	DESCRIPTION	BY

THIS DRAWING IS THE PROPERTY OF TIMES SQUARE LIGHTING, INC. ANY UNAUTHORIZED USE IS PROHIBITED. SPECIFICATIONS SUBJECT TO CHANGE WITHOUT NOTICE. COPYRIGHT © TIMES SQUARE LIGHTING, INC. 2007, 2013. ALL RIGHTS RESERVED.

TIMES SQUARE LIGHTING INC.

 5 HOLT DR., STONY POINT, NY 10980
 845-947-3034 FAX: 845-947-3047

DRAWING TITLE:		FILE: hero track stem and canopy	
STEM AND CANOPY TRACK SUPPORT FOR HERO STYLE TRACK		DWG BY: TPT	APPR: -
PROJECT:		DATE: 05-17-07	SHEET 1 OF 1
		SCALE: none	REV: A
		TSL P/N:	