

CURRENT LIMITER INSTALLATION INSTRUCTIONS

CAUTION: This product is to be installed according to national and local electrical codes and by qualified personnel only!

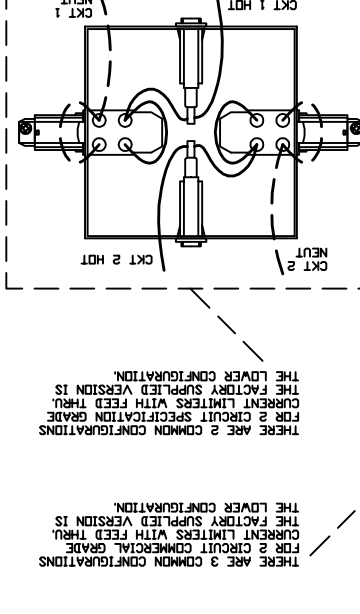
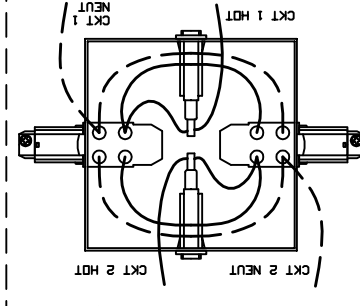
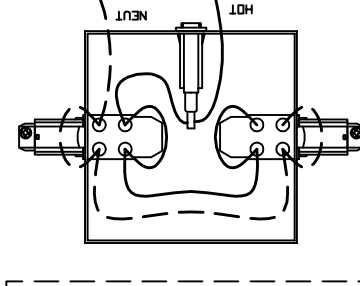
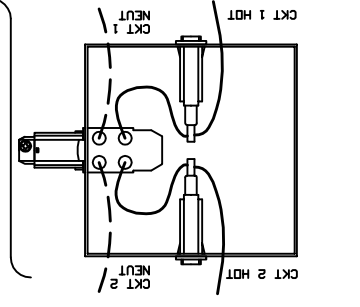
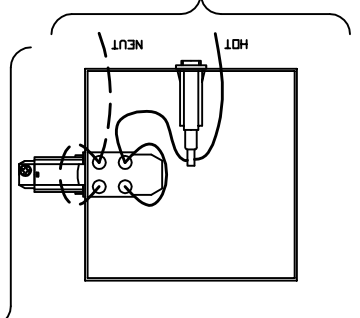
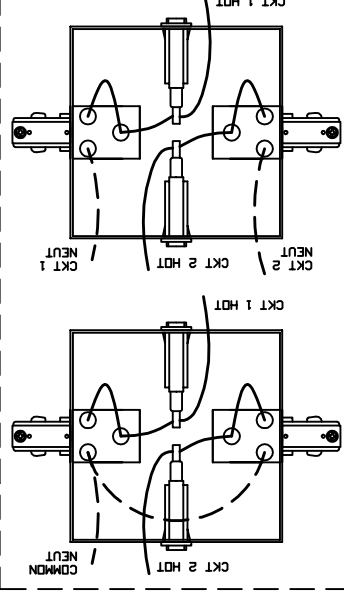
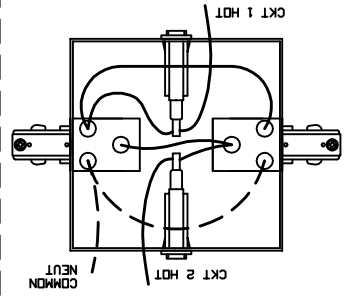
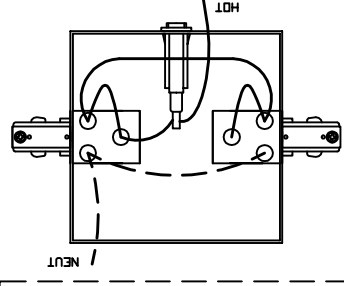
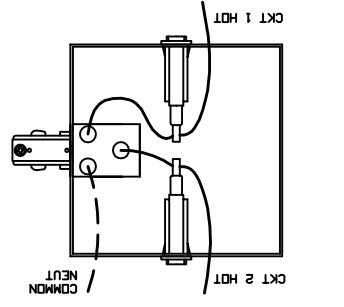
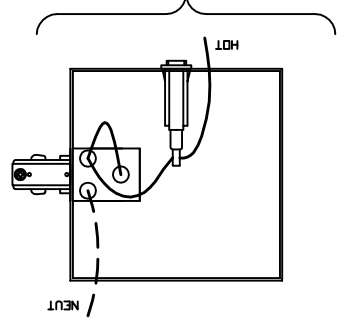
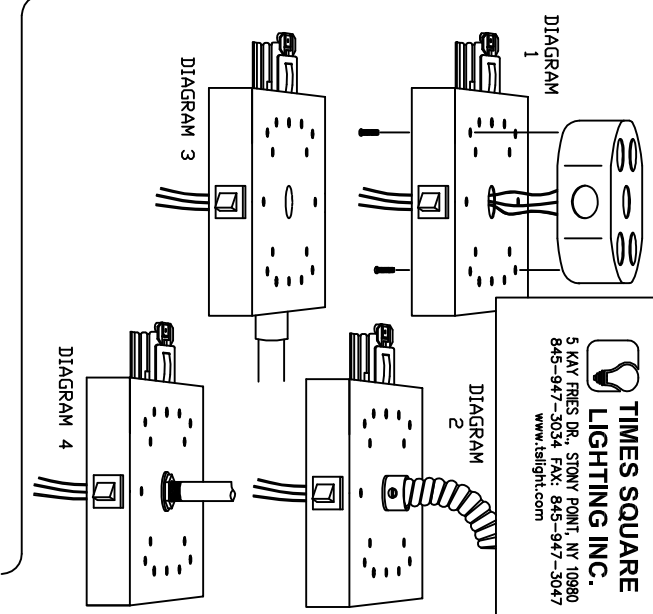
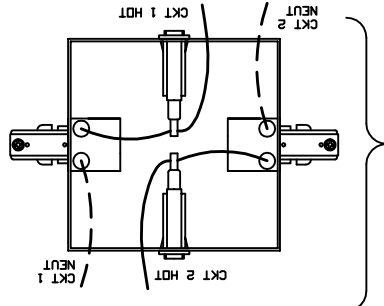
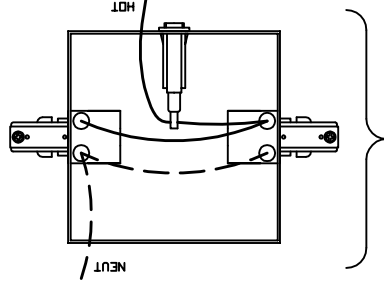
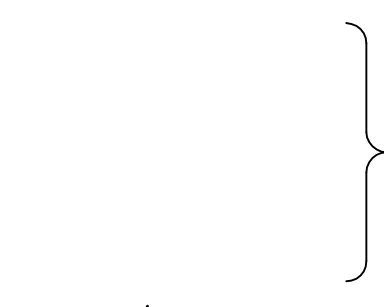
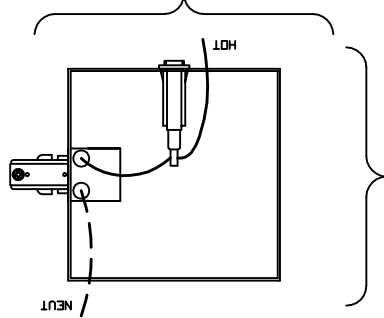
CAUTION: Disconnect power before installing this equipment!

STEP 1: Install current limiter to junction box (Diagram #1), or install to mounting surface and use 1/2" knockouts provided to install armored cable, conduit, or other approved means of supplying power (Diagrams #2, #3 or #4).

STEP 2: Connect all green wires to system ground.

STEP 3: Connect the hot and neutral feeder wires to the hot and neutral current limiter circuits. Use the diagrams below to assist in the proper connection of the current limiter. **NOTE:** For certain installations it may be necessary to change the factory provided wiring scheme.

TIMES SQUARE LIGHTING INC.
 5 KAY FRIES DR., STONY POINT, NY 10980
 845-947-3034, FAX: 845-947-3047
 www.tslight.com



THESE ARE 2 COMMON CONFIGURATIONS FOR 2 CIRCUIT SPECIFICATION GRADE CURRENT LIMITERS WITH FEED THRU. THE LOWER CONFIGURATION IS THE FACTORY SUPPLIED VERSION IS.

THESE ARE 3 COMMON CONFIGURATIONS FOR 2 CIRCUIT COMMERCIAL GRADE CURRENT LIMITERS WITH FEED THRU. THE LOWER CONFIGURATION IS THE FACTORY SUPPLIED VERSION IS.

END FEED MODELS

FEED THRU MODELS (NOTE: 180° PATTERN SHOWN. TRACK FEEDERS MAY ALSO BE PROVIDED IN A 90° PATTERN)

THIS DRAWING IS THE PROPERTY OF TIMES SQUARE LIGHTING, INC. ANY UNAUTHORIZED USE IS PROHIBITED. SPECIFICATIONS SUBJECT TO CHANGE WITHOUT NOTICE. COPYRIGHT © TIMES SQUARE LIGHTING, INC. 2003. ALL RIGHTS RESERVED.