



# Aura Projector

## ILED36P & ILED45P 32W Max Projector



5 Holt Drive,  
Stony Point, NY 10980  
845-947-3034  
info@tslight.com

The Aura projector has the highest CRI value of any LED projector on the market today. Utilizing the Xicato Artist module, this powerful, compact projector is ideal for highlighting artwork in museums. With nearly sunlight-quality light output, it is the perfect solution for any situation where the truest color rendering is needed. It is warranted not only for its lumen maintenance, but Times Square Lighting upholds Xicato's guarantee that the color consistency will remain within 3 MacAdam ellipses after 50,000 hours of use. DMX control gives the Aura projector dim-to-dark capabilities as well as the ability to be individually addressed. Total control of this lighting fixture makes it a good fit for restaurants and nightclubs where dramatic dimming is needed as well.

Manufactured in the USA - IBEW



# XICATO

### Electrical

- Integral electronic driver
- 120V or 277V @ 60 Hz, 230V @ 50 Hz
- Meets FCC 47 CFR Part 15/18 Requirements

### Construction

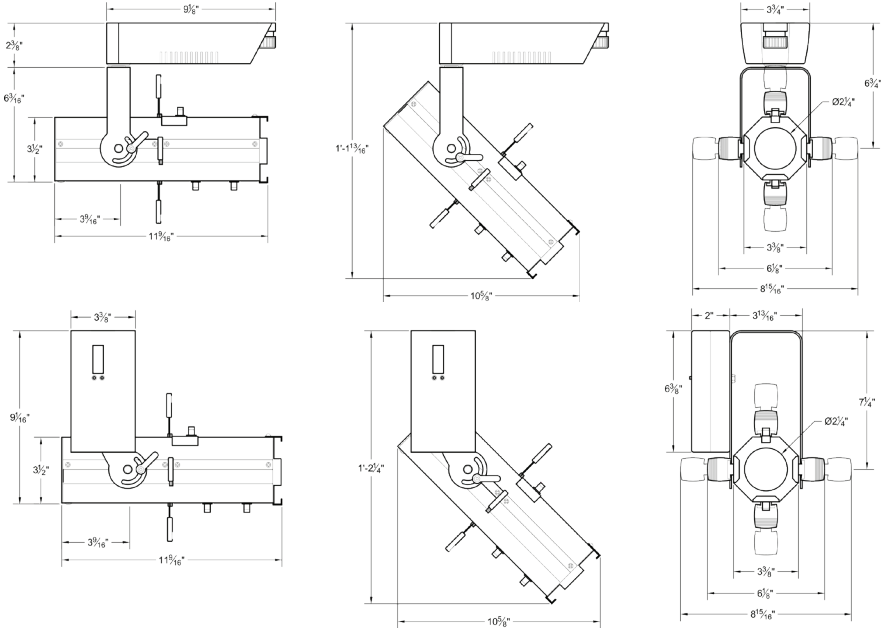
- Steel housing with black, white or silver finish
- Accepts up to 2 accessories
- Weight: 10 lbs.
- Non track versions utilize RJ45 input.

### Dimming

- DMX Dimming

### Optics

- 20°-40° Zoom optics system



### Features

- Xicato XTM Module with Cold Phosphor Technology
- Color temp options: 2700K, 3000K, 3500K, 4000K
- CRI: 83 or 98
- L70 50,000 Hours
- Adjustable framing shutters
- Accessory holder
- No UV or IR

LED Module	Total Wattage	Delivered Lumen	Efficacy (Lm/W)	CRI
98	32	1900	59	98
83	21	1900	90	83
83	32	2850	89	83

\* Total wattage equals LED plus driver. Delivered lumen may vary depending on LED module, color temperature, optics, and accessories.

### Ordering Matrix

Model	Lumens	LED Module	Color Temp	Finish	Voltage	Mounting	Accessories
ILED	36P = 2000 45P = 3000	83 98*	27 = 2700K 30 = 3000K 35 = 3500K 40 = 4000K	B = Black W = White S = Silver CC = Custom Color	120 = 120V @ 60 Hz 230 = 230V @ 50 Hz 277 = 277V @ 60 Hz	See Mounting Options	See Accessory Options

Maximum ambient temperature: 35°C  
Maximum operating angle: 45° from vertical  
\* Not available in 3000 lumen fixture

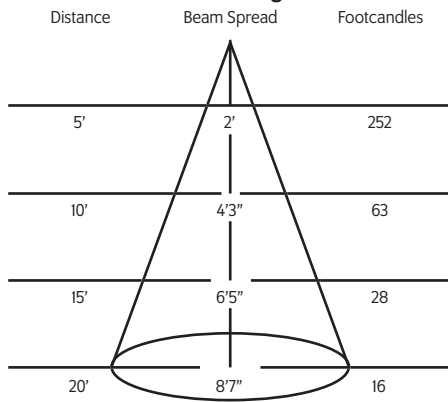
**Example:** ILED-36P-27-98-30-B-120-N3

ILED-\_\_\_\_\_ - \_\_\_\_\_ - \_\_\_\_\_ - \_\_\_\_\_ - \_\_\_\_\_ - \_\_\_\_\_

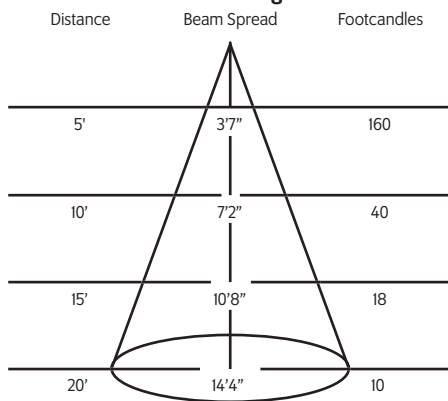
\* Specification sheets are subject to change without notice.

## Photometric Data

### ILED36P 20° Setting

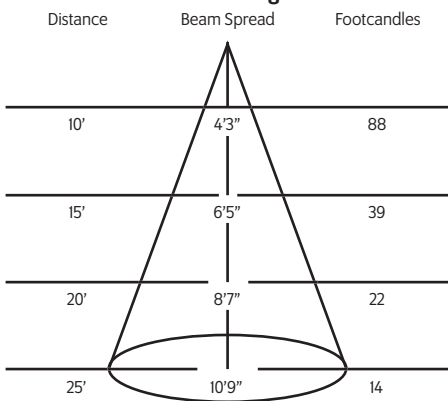


### 40° Setting

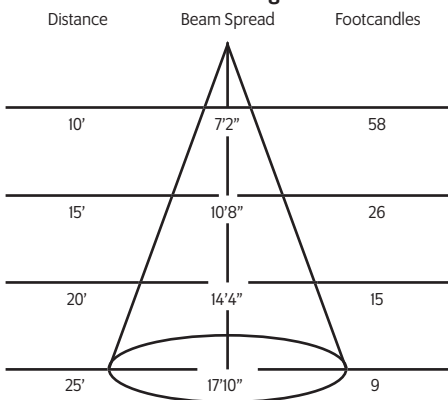


### ILED45P

#### 20° Setting

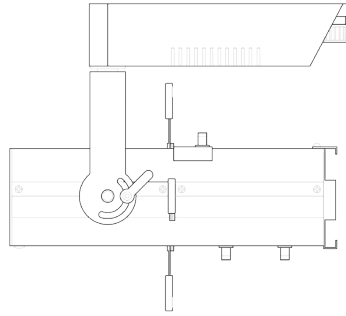


#### 40° Setting

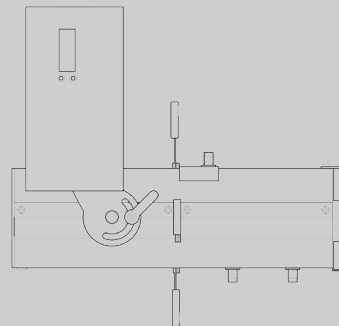


## Mounting Options

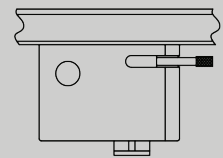
**N3** 2 circuit track adapter for Data Bus. Specification grade track. 120V.



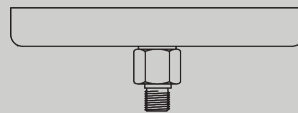
**RJ45** Mounting.



Various track mounts available consult factory.



**CM4** Canopy Mount



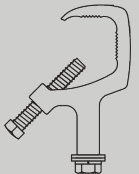
**USI** 6 $\frac{5}{8}$ " x 1 $\frac{1}{2}$ " Unistrut Adapter



**TB4** 6 $\frac{1}{4}$ " Portable wall mount/table base floor, wall or table use.



**PC9M** Heavy duty pipe clamp for large, heavy fixtures. For pipes up to 2" O.D.



**MC** Light duty pipe clamp for small fixtures. For pipes up to 1 $\frac{5}{16}$ " O.D.

**MN** Medium duty pipe clamp for small to large fixtures. For pipes up to 2" O.D.

## Accessories

<b>CF6</b>	Color Frame
<b>SN6</b>	Snoot/Hood
<b>PH6</b>	Pattern Holder
<b>PD6</b>	Pattern Donut
<b>SPE</b>	Stock Pattern Steel
<b>CPE</b>	Custom Pattern Steel
<b>GPE</b>	Custom Pattern Glass
<b>DF6</b>	Dichroic Color Filter
<b>GF6-702</b>	UV Blocking Filter
<b>CC18</b>	Coiled Cord
<b>6I</b>	Iris

## Pattern Rotator

**5300**

Mini Spin (variable speed pattern rotator)



## Extension Wands

<b>SP 12</b>	12" Stem
<b>SP 18</b>	18" Stem
<b>SP 24</b>	24" Stem
<b>SP X</b>	Custom Length