



BCR Series

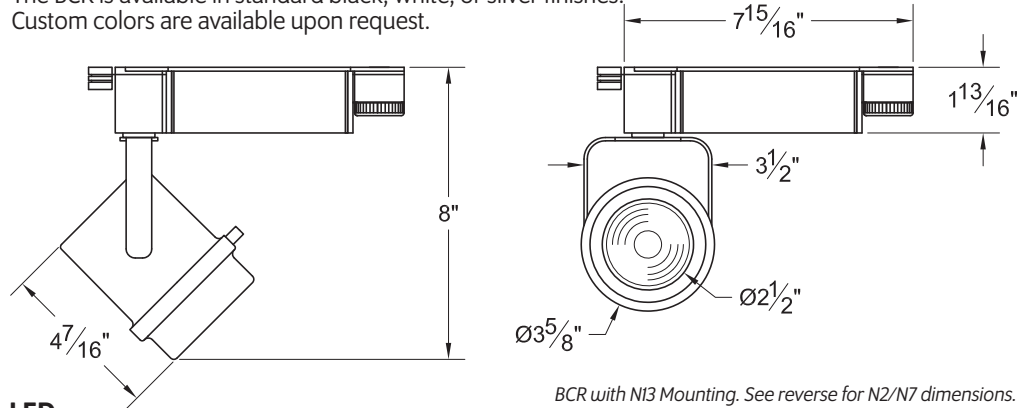
CREE LED



5 Holt Drive,
Stony Point, NY 10980
845-947-3034
info@tslight.com

The BCR emphasizes efficiency and economy and boasts the highest lumens per watt rating of any Times Square Lighting fixture to date. It is designed for a short to medium throw applications. The BCR can be fitted with up to three accessories, including barn doors, louvers and lenses. This versatile fixture is available with a wide variety of mounting and dimming options, allowing for a huge range of customization possibilities.

The BCR is available in standard black, white, or silver finishes. Custom colors are available upon request.



Manufactured in the USA - IBEW



Electrical

- Integral electronic driver
- 100-277V, 50/60Hz
- Meets FCC 47 CFR Part 15/18 Requirements

Construction

- Steel & aluminum housing with black, white or silver finish
- Accepts up to 3 accessories
- Weight: 3 lbs.

Dimming

- Trailing edge (ELV): 120V only
- Leading edge (Triac): 120V only
- 0-10V: 120V only (ControlTrac), 120-277V (CM3 mount)

LED

- Cree XLamp LED array
- Color temp options: 2700K, 3000K, 3500K, 4000K
- CRI: 80 standard or 92 optional
- Lumen maintenance: 90% of initial lumen output at 33,000 hours on LM-80 testing
- No UV or IR

Model	CRI	Total Wattage	Delivered Lumens	Efficacy (Lm/W)
BCR9	80 / 92	5.6 / 6.4	900	172 / 146
BCR12	80 / 92	7.7 / 9.0	1200	166 / 141
BCR15	80 / 92	9.7 / 11.4	1500	161 / 137
BCR18	80 / 92	11.4 / 15.0	1800	157 / 133
BCR20	80 / 92	13.3 / 15.8	2000	151 / 131

* Total wattage equals LED plus driver. Delivered lumen may vary depending on LED module, color temperature, optics, and accessories. Testing done with 3000K LED array.

Optics

- 20°, 40°, and 60° Field-changeable reflectors
- CBCP:

	BCR9	BCR12	BCR15	BCR18	BCR20
20°	3100	4250	5500	6030	6700
40°	1850	2500	3250	3600	4000
60°	980	1350	1750	1890	2100

Ordering Matrix

Model	Lumens	CRI	Color Temp	Finish	Voltage	Optics	Mounting	Dimming*	Accessories
BCR	9 = 900 12 = 1200 15 = 1500 18 = 1800 20 = 2000	80 92	27 = 2700K 30 = 3000K 35 = 3500K 40 = 4000K	B = Black W = White S = Silver CC = Custom Color	120 240 277	20 = 20° 40 = 40° 60 = 60°	See Mounting Options	TE = Trailing Edge LE = Leading Edge O10 = 0-10V ND = Non-Dimming	See Accessory Options

Maximum ambient temperature: 35°C
Maximum operating angle: 45° from vertical

* See "Notes on Dimming" on reverse

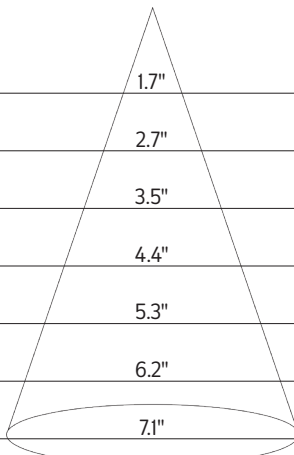
Example: BCR-900-80-27-B-120-20-N13-TE-LV3

BCR- _____ - _____ - _____ - _____ - _____ - _____ - _____ - _____

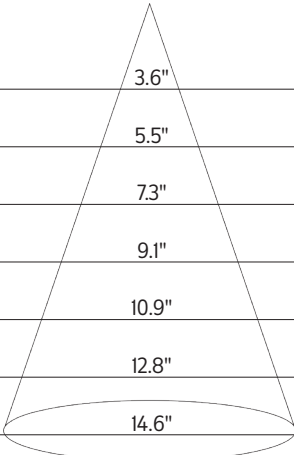
* Specification sheets are subject to change without notice.

Photometric Data

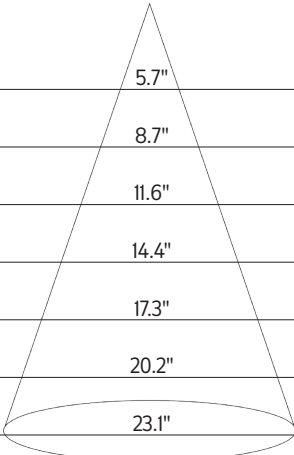
Distance	20° Spot Reflector		Footcandles				
	Beam Spread		BCR9	BCR12	BCR15	BCR18	BCR20
5'	1.7"		126	170	220	241	268
7.5'	2.7"		55	76	98	107	119
10'	3.5"		31	43	55	60	67
12.5'	4.4"		20	27	35	39	43
15'	5.3"		14	19	24	27	30
17.5'	6.2"		10	14	18	20	22
20'	7.1"		8	11	14	15	17



Distance	40° Medium Flood Reflector		Footcandles				
	Beam Spread		BCR9	BCR12	BCR15	BCR18	BCR20
5'	3.6"		74	100	130	144	160
7.5'	5.5"		33	44	58	64	71
10'	7.3"		19	25	33	36	40
12.5'	9.1"		12	16	21	23	26
15'	10.9"		8	11	15	16	18
17.5'	12.8"		6	8	11	12	13
20'	14.6"		5	6	8	9	10



Distance	60° Flood Reflector		Footcandles				
	Beam Spread		BCR9	BCR12	BCR15	BCR18	BCR20
5'	5.7"		39	54	70	76	85
7.5'	8.7"		17	24	31	34	38
10'	11.6"		10	14	18	19	21
12.5'	14.4"		7	9	11	12	14
15'	17.3"		5	6	8	8	9
17.5'	20.2"		-	-	6	6	7
20'	23.1"		-	-	5	5	5



Mounting Options

STA Track adapter for E-Series specification grade 2-circuit track data.

N13 Track Adapter for commercial grade 1-circuit track and 2-circuit track for use in circuit number 1 only. 120V.

N1 Track adapter for E-Series 1-circuit specification grade track. 120V.

N2 Track adapter for G-Series 2-circuit specification grade track. 120V.

N4 Track adapter for E-Series 2-circuit specification grade track. 120V.

N7 Track adapter for G-Series 2-circuit specification grade track. 277V.

N3 Track adapter for E-Series 2-circuit specification grade track w/ data bus. 120V.

CM3 Canopy mount for J-Box.

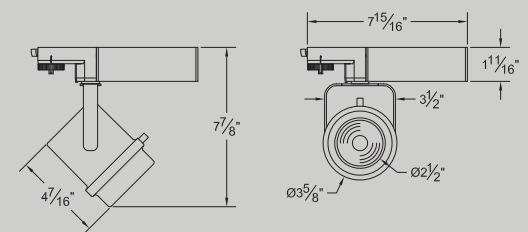
Accessories

LV3	Louver
XL3	Cross Baffle Louver
BD3	Barndoor
HD3	Hood
X00517 *	Glass/Dichroic Holder
GF22	Glass Color Filter
DF22	Dichroic Color Filter
OF22-9101	Lite Diffusion
GF22-600	5°x50° Linear Lens
GF22-601	Beam Softener
GF22-673	50°x50° Spread Lens
WW3	Wall Wash Kicker w/ Spread Lens

* Required accessory when using glass or dichroic filters.

Extension Wands

SP 12	12" Stem
SP 18	18" Stem
SP 24	24" Stem
SP X	Custom Length



BCR with N2/N7 Mounting. See reverse for N13 dimensions.