



# CR Series

## CREE LED

The CR emphasizes efficiency and economy and boasts the highest lumens per watt rating of any Times Square Lighting fixture to date. It is designed for a short to medium throw applications. The CR can be fitted with up to three accessories, including barn doors, louvers and lenses. This versatile fixture is available with a wide variety of mounting and dimming options, allowing for a huge range of customization possibilities.



5 Holt Drive,  
Stony Point, NY 10980  
845-947-3034  
info@tslight.com

Manufactured in the USA - IBEW



## Electrical

- Integral electronic driver
- 100-277V, 50/60Hz
- Meets FCC 47 CFR Part 15/18 Requirements

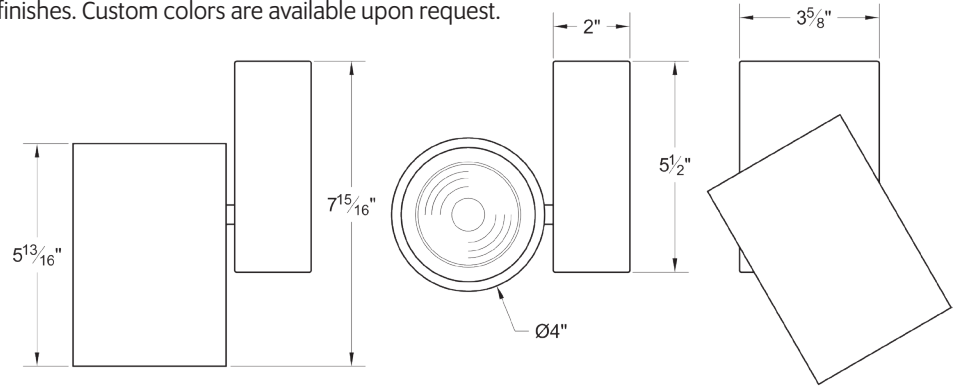
## Construction

- Steel & aluminum housing with black, white or silver finish
- Accepts up to 3 accessories
- Weight: 3 lbs.

## Dimming

- Trailing edge (ELV): 120V / 277V
- Leading edge (Triac): 120V only
- 0-10V: 120V only (ControlTrac), 120-277V otherwise
- IP (Integral Pot) dimming available

The CR is available in standard black, white, or silver finishes. Custom colors are available upon request.



## LED

- Cree XLamp LED array
- Color temp options: 2700K, 3000K, 3500K, 4000K, 5700K
- CRI: 80 standard or 92 optional
- Lumen maintenance: 90% of initial lumen output at 33,000 hours on LM-80 testing
- No UV or IR

Model	CRI	Total Wattage	Delivered Lumens	Efficacy (Lm/W)
CR9	80 / 92	5.6 / 6.4	900 / 900	161 / 141
CR12	80 / 92	7.7 / 9.0	1200 / 1200	156 / 133
CR15	80 / 92	9.7 / 11.4	1500 / 1500	155 / 132
CR18	80 / 92	11.4 / 15.0	1800 / 1800	158 / 120
CR20	80 / 92	13.3 / 15.8	2000 / 2000	150 / 127
CR25	80 / 92	18.0 / 23.4	2500 / 2500	139 / 107
CR27	92	25.0	2700	108
CR30	80 / 92	23.4 / 30	3000 / 3000	128 / 100
CR35	80	30.0	3500	117

\* Total wattage equals LED plus driver. Delivered lumen may vary depending on LED module, color temperature, optics, and accessories. Testing done with 3000K LED array.

## Ordering Matrix

Model	Lumens	CRI	Color Temp	Finish	Voltage	Optics	Mounting	Dimming †	Accessories
CR	9 = 900 / 900 12 = 1200 / 1200 15 = 1500 / 1500 18 = 1800 / 1800 20 = 2000 / 2000 25 = 2500 / 2500 27 = 2700* 30 = 3000 / 3000 35 = 3500**	80 92	27 = 2700K 30 = 3000K 35 = 3500K 40 = 4000K 57 = 5700K	B = Black W = White S = Silver CC = Custom Color	100 <sup>††</sup> 120 240 277	20 = 20° 40 = 40° 60 = 60°	See Mounting Options	TE = Trailing Edge <sup>***</sup> LE = Leading Edge <sup>‡</sup> 010 = 0-10V ND = Non-Dimming IP = Integral Pot <sup>***</sup>	See Accessory Options

Maximum ambient temperature: 35°C  
Maximum operating angle: 45° from vertical

\* 92 CRI Only \*\* 80 CRI Only  
\*\*\* 277V TE & IP Dimming available on 1800, 2500 & 3000 lumen, 80 CRI and 1500 & 2700 lumen, 92 CRI only.

† See "Notes on Dimming" on reverse  
†† Non-Dim or 0-10V dimming only  
‡ 120V Only

**Example:** CR9-80-27-B-120-20-ADI-TE-LV3

CR - \_\_\_\_\_

# Optics

- 20°, 40°, and 60° Field-changable reflectors

CBCP:	CR9	CR12	CR15	CR18	CR20	CR25	CR30	CR35
20°	3100	4250	5500	6030	6700	8600	11000	13900
40°	1850	2500	3250	3600	4000	5100	6500	7100
60°	980	1350	1750	2100	2425	3200	3700	4150

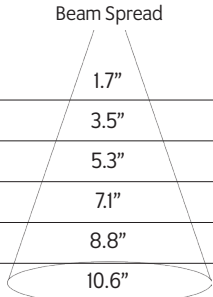
\* Testing done at 3000K, 80 CRI.

## Photometric Data

**20° Spot Reflector**

Distance      Beam Spread      Footcandles

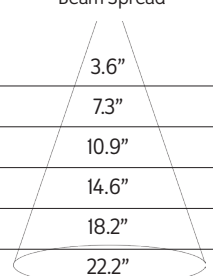
		CR9	CR12	CR15	CR18	CR20	CR25	CR30	CR35
5'	1.7"	126	170	220	241	268	344	440	556
10'	3.5"	31	43	55	60	67	86	110	139
15'	5.3"	14	19	24	27	30	38	49	62
20'	7.1"	8	11	14	15	17	22	28	35
25'	8.8"	5	7	9	10	11	14	18	22
30'	10.6"	-	6	6	7	7	10	12	15



**40° Medium Flood Reflector**

Distance      Beam Spread      Footcandles

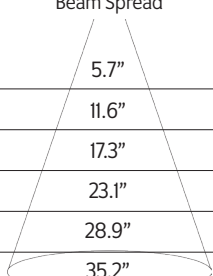
		CR9	CR12	CR15	CR18	CR20	CR25	CR30	CR35
5'	3.6"	74	100	130	144	160	204	260	284
10'	7.3"	19	25	33	36	40	51	65	71
15'	10.9"	8	11	15	16	18	23	29	32
20'	14.6"	5	6	8	9	10	13	16	18
25'	18.2"	-	-	5	6	6	8	10	11
30'	22.2"	-	-	-	-	-	6	7	8



**60° Flood Reflector**

Distance      Beam Spread      Footcandles

		CR9	CR12	CR15	CR18	CR20	CR25	CR30	CR35
5'	5.7"	39	54	70	85	97	128	148	166
10'	11.6"	10	14	18	21	24	32	37	42
15'	17.3"	5	6	8	9	11	14	16	18
20'	23.1"	-	5	5	5	6	8	9	10
25'	28.9"	-	-	-	-	5	5	6	7
30'	35.2"	-	-	-	-	-	-	-	5



### Notes on Dimming:

- TE** This means the fixture will work on *MOST* quality Trailing Edge dimmers. These dimmer types are also known as Reverse Phase or Electronic Low Voltage (ELV), and are available as wall mount and rack mount modules.
- LE** This means the fixture will work on *MOST* quality Leading Edge dimmers. These dimmer types are also known as Forward Phase, Incandescent, Halogen or Triac, and are available as wall mount and rack mount modules.
- 0-10** This means the fixture will work on *MOST* quality 0-10V or 1-10V dimmers. These dimmer types are also known as Fluorescent, and are available as wall mount and rack mount modules.
- IP** This means the fixture has a dimmer *BUILT IN* to the fixture itself, and will dim to about 50%. It has an integral potentiometer located on the bottom of the driver housing. This fixture *WILL NOT* function with *EXTERNAL* wall or rack dimmers.

It is impractical to test every fixture type with every dimmer type, and some combinations work better than others, while some not at all. It is advisable to pretest a particular fixture with an intended dimmer beforehand to insure that the combination will work as expected. Some dimmers will allow for full-range dimming, while others will only dim to 50%. Some dimmers will work well within a certain range, and perhaps flicker or shut off at the lowest settings, rendering that portion of the range unusable. Most if not all dimmers have a maximum LED load that can be applied, often as little as 10% of its nominally rated value. Dimming LEDs can actually extend their life expectancy, and will not affect the color temperature or CRI.

## Mounting Options

**T1** Track Adapter for commercial grade 1 & 2 circuit track. 120V. For use with larger, heavier fixtures.

**TA1** Track adapter for E-Series specification grade track. 1 circuit. 120V.

**TA2** Track adapter for G-Series specification grade 2-circuit track. 277V.

**HTA2** Track adapter for G-Series specification grade 2-circuit track. 277V.

**STA** 2 circuit track adapter for Data Bus. Specification grade track. 120V.

**TA3** Track adapter for G-Series specification grade 3-circuit track. 120V.

**CM4** Canopy Mount

**USI** 6 $\frac{5}{8}$ " x 1 $\frac{1}{2}$ " Uniruit Adapter

**TB8** 8" x 8" Portable table base for floor and table use

**MC** Light duty pipe clamp for small fixtures. For pipes up to 1 $\frac{5}{16}$ " O.D.

**MN** Medium duty pipe clamp for small to large fixtures. For pipes up to 2" O.D.

**PC9M** Heavy duty pipe clamp for large, heavy fixtures. For pipes up to 2" O.D.

## Accessories

<b>LV6</b>	Louwer
<b>XL6</b>	Cross Baffle Louwer
<b>BD10</b>	Barndoor
<b>HD6</b>	Hood
<b>XH6</b>	Cross Baffle Hood
<b>X00517 *</b>	Glass/Dichroic Holder
<b>GF22</b>	Glass Color Filter
<b>DF22</b>	Dichroic Color Filter
<b>OF22-9101</b>	Lite Diffusion
<b>GF22-600</b>	5°x50° Linear Lens
<b>GF22-601</b>	Beam Softener
<b>GF22-673</b>	50°x50° Spread Lens
<b>CC18</b>	Coiled Cord
<b>SC-24</b>	Safety Cable

\* Required accessory when using glass or dichroic filters

## Extension Wands

<b>SP 12</b>	12" Stem
<b>SP 18</b>	18" Stem
<b>SP 24</b>	24" Stem
<b>SP X</b>	Custom Length