

Job Name:  Fixture Type:  Qty:

Ellipsoidals by Electronic Theatre Controls, Inc.



## 405 Source Four® 5°

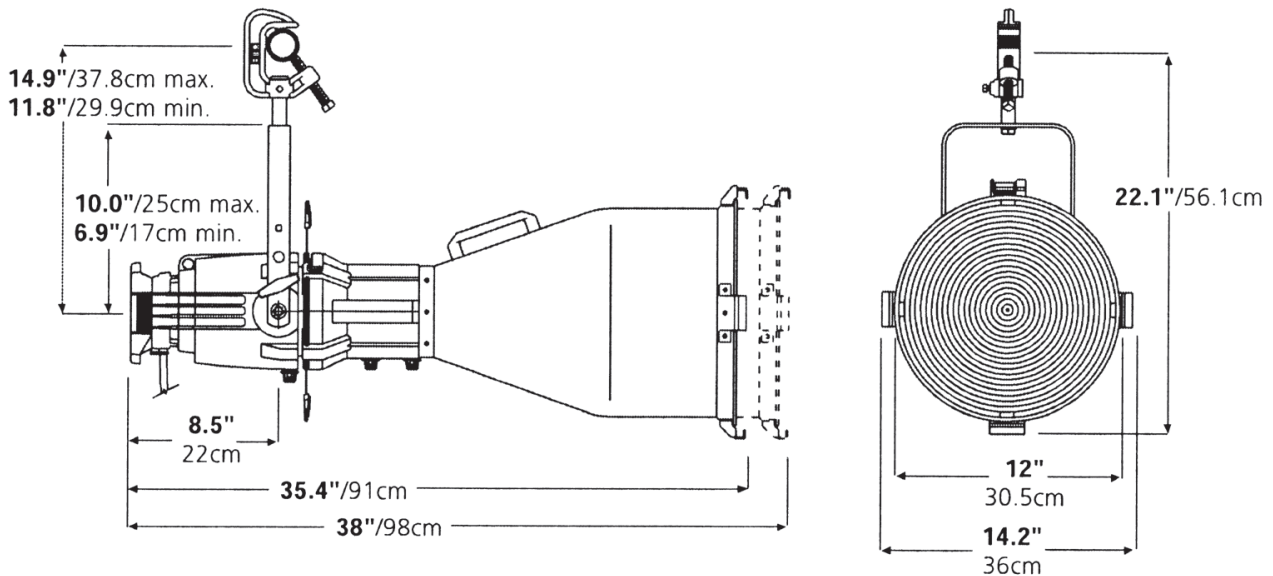
The Source Four® ellipsoidal is constructed of die cast aluminum with a steel yoke and a positive locking single-clutch fixture body. Features 20 gauge stainless steel shutters and high-impact thermally insulated knobs and handles. Two accessory slots and a top mounted gel frame retainer gives this fixture the flexibility to accept glass or steel patterns and a variety of color filters and accessories. Optional iris and dual pattern rotator available. Comes in standard black powder coated finish. White and custom colors are available by request and at an additional charge.

### Features:

- Accepts HPL lamps up to 750-watts
- Two accessory slots and a top mounted gel frame retainer
- Interchangeable lens tubes provide numerous field angle options
- Rotating shutter assembly
- Optional iris and dual pattern rotator available
- 36" leads in fiberglass sleeve

Manufactured in the USA

Source Four® products protected by U.S. Patent #'s: 5, 268, 613; 5, 345, 371; 5, 544, 029; 5, 446, 637; 5, 755, 799; Japanese Patent No. 2, 501 772; U.S. and International Patents Pending.



©2001 ETC. All rights reserved. All product information and specifications subject to change.

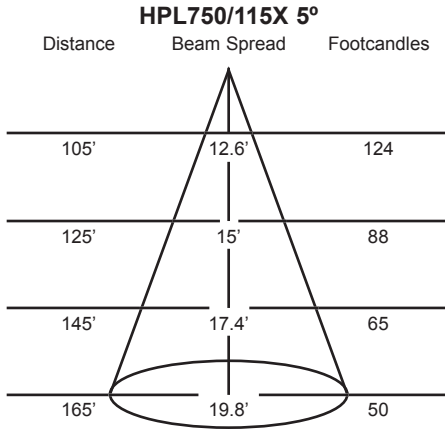


5 Holt Drive • Stony Point, NY 10980  
 Phone: 845-947-3034 • Fax: 845-947-3047 • www.tslight.com  
 Specifications are subject to change without notice.

Last updated 10/13/2009.

Specify:	405	-	-	-	-
	<b>MODEL NUMBER</b>	<b>FINISH</b>	<b>CONNECTOR (optional)</b>	<b>MOUNTING (optional)</b>	<b>ACCESSORIES (optional)</b>
Example:	405	-W	-E2867	-TB8	-405TH

**Photometric Data**



For Field diameter multiply distance by .12  
 For Beam diameter multiply distance by .11

**Lamp Types**

**HPL375/115X** 375W/115V; 1000Hrs;  
 8060 Lumens; 3000°K Color Temp

**HPL575/115X** 575W/115V; 2000Hrs;  
 12360 Lumens; 3050°K Color Temp

**HPL750/115X** 750W/115V; 1000Hrs;  
 8060 Lumens; 3000°K Color Temp

**Accessories**

See index for details.

405TH	Snoot
*405CF	Color Frame
400PH-B	Steel Pattern Holder
400PH-G	Glass Pattern Holder
410DN	Pattern Donut
400RS	Drop-in Iris
SmartMove	Pattern Rotator-Dual

**Mounting Options**

See index for details.

**US1**

Unistrut adapter.

**\*PC9M**

Heavy duty pipe clamp for large, heavy fixtures. For pipes 1/2" to 1 1/2" O.D.

**CM4**

6" Canopy for permanent mounting on standard 4" octagonal outlet boxes.

**TB8**

8" x 8" Portable table base for floor or table use.

**SC**

1/8" diameter, 30" long steel safety cable with snap ring. Used as added security when large or heavy fixtures are being used.

**Male Connectors**

E2867	Edison Plug
E876	Twist Lock
600G	Stage Pin

**Finish**

B	Black
W	White
CC	Custom Color

\*Item included with the purchase of fixture.