

Job Name: Fixture Type: Qty:

Ellipsoidals by Electronic Theatre Controls, Inc.



42550 Source Four[®] Zoom 25°-50°

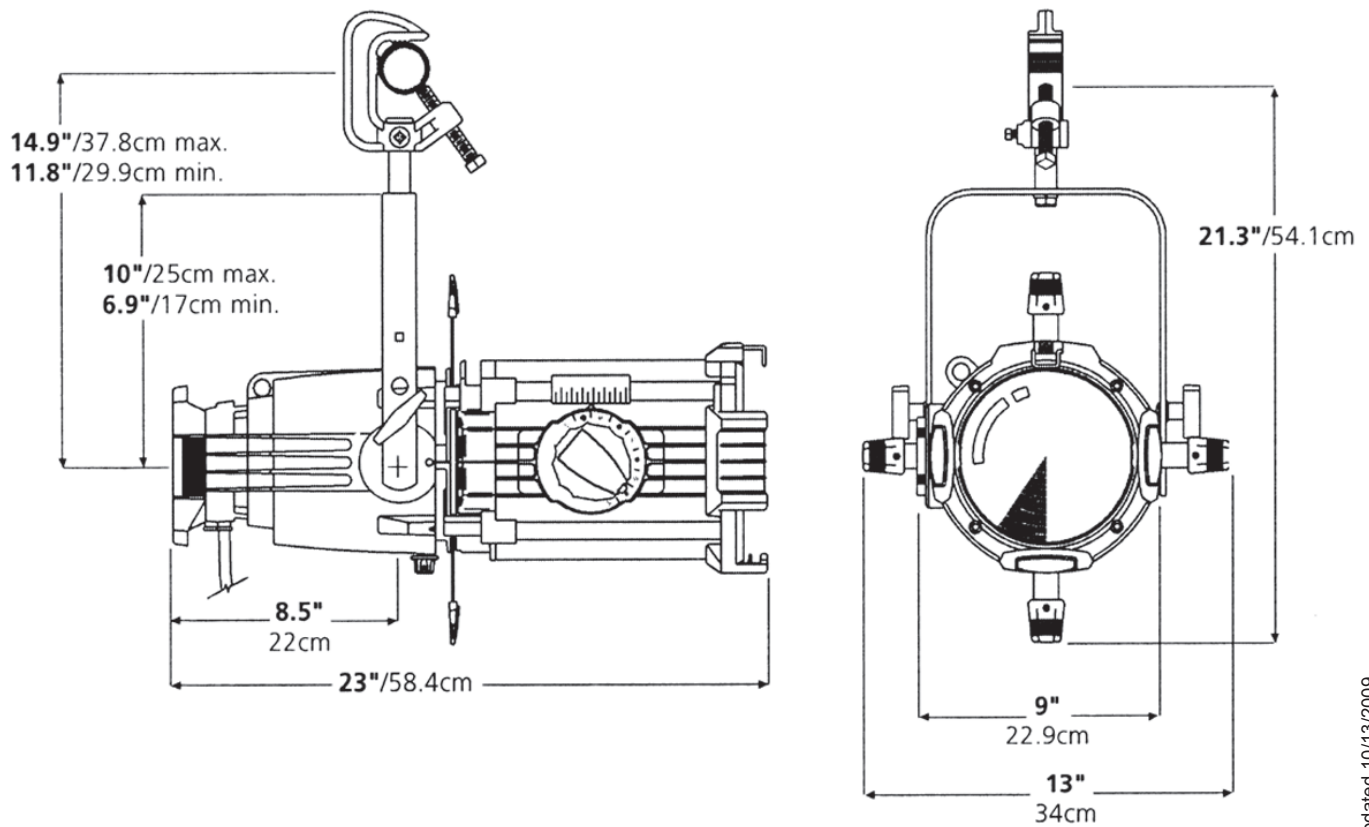
The Source Four[®] Zoom ellipsoidal is constructed of die cast and extruded aluminum with a steel positive locking double-clutch yoke. Features 20 gauge stainless steel shutters and high-impact thermally insulated knobs and handles. Two accessory slots and a top mounted gel frame retainer gives this fixture the flexibility to accept glass or steel patterns and a variety of color filters and accessories. Optional iris and dual pattern rotator available. Comes in standard black powder coated finish. White and custom colors are available by request and at an additional charge.

Features:

- Accepts HPL lamps up to 750-watts
- Two accessory slots and a top mounted gel frame retainer
- One-handed focus mechanism with field angle and focus scale markings
- Rotating shutter assembly
- Optional iris and dual pattern rotator available
- 36" leads in fiberglass sleeve

Manufactured in the USA

Source Four[®] products protected by U.S. Patent #'s: 5, 268, 613; 5, 345, 371; 5, 544, 029; 5, 446, 637; 5, 755, 799; Japanese Patent No. 2, 501 772; U.S. and International Patents Pending.



©2001 ETC. All rights reserved. All product information and specifications subject to change.

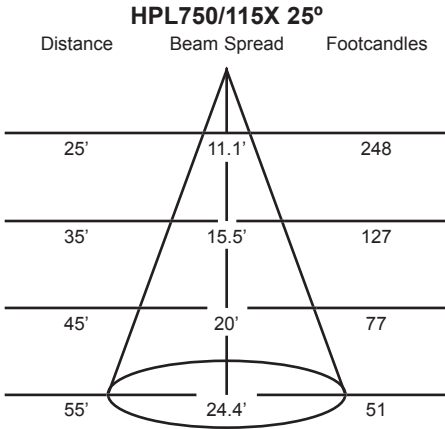


5 Holt Drive • Stony Point, NY 10980
 Phone: 845-947-3034 • Fax: 845-947-3047 • www.tslight.com
 Specifications are subject to change without notice.

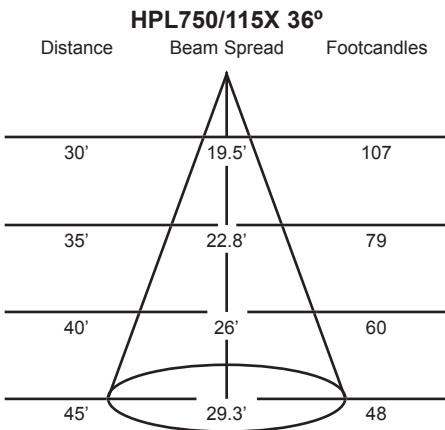
Last updated 10/13/2009.

Specify:	42550	-	-	-	-
	MODEL NUMBER	FINISH	CONNECTOR (optional)	MOUNTING (optional)	ACCESSORIES (optional)
Example:	42550	-W	-E2867	-TB8	-400TH

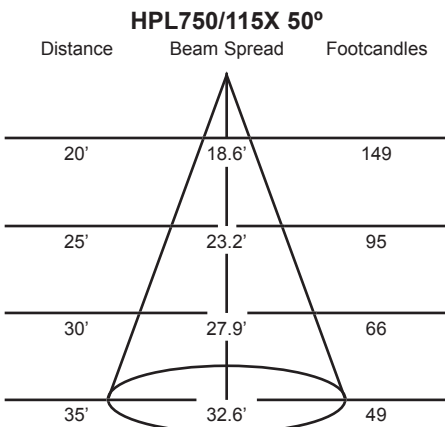
Photometric Data



For Field diameter multiply distance by .44
For Beam diameter multiply distance by .30



For Field diameter multiply distance by .65
For Beam diameter multiply distance by .48



For Field diameter multiply distance by .93
For Beam diameter multiply distance by .59

Lamp Types

HPL375/115X 375W/115V; 1000Hrs;
8060 Lumens; 3000°K Color Temp

HPL575/115X 575W/115V; 2000Hrs;
12360 Lumens; 3050°K Color Temp

HPL750/115X 750W/115V; 1000Hrs;
8060 Lumens; 3000°K Color Temp

Finish

B	Black
W	White
CC	Custom Color

Accessories

See index for details.

400TH	Snoot
400HH	Half Snoot
*400CF	Color Frame
400PH-B	Steel Pattern Holder
400PH-G	Glass Pattern Holder
400DN	Pattern Donut
400RS	Drop-in Iris
SmartMove	Pattern Rotator-Dual

Mounting Options

See index for details.

US1

Unistrut adapter.

*PC9M

Heavy duty pipe clamp for large, heavy fixtures. For pipes 1/2" to 1 1/2" O.D.

CM4

6" Canopy for permanent mounting on standard 4" octagonal outlet boxes.

TB8

8" x 8" Portable table base for floor or table use.

SC

1/8" diameter, 30" long steel safety cable with snap ring. Used as added security when large or heavy fixtures are being used.

Male Connectors

E2867	Edison Plug
E876	Twist Lock
600G	Stage Pin

**Item included with the purchase of fixture.*

Using lamps other than HPL will void UL/cUL safety approval and product warranty. SourceFour® is rated for 750W maximum. ©2001 ETC. All rights reserved. All product information and specifications subject to change.