

Job Name:  Fixture Type:  Qty:

## Wall Wash by Times Square Lighting



Manufactured in the USA - IBEW



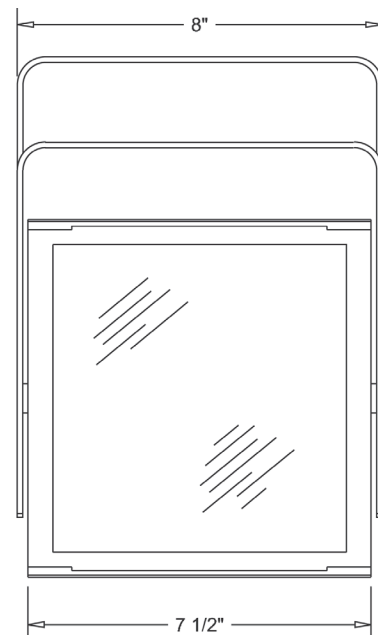
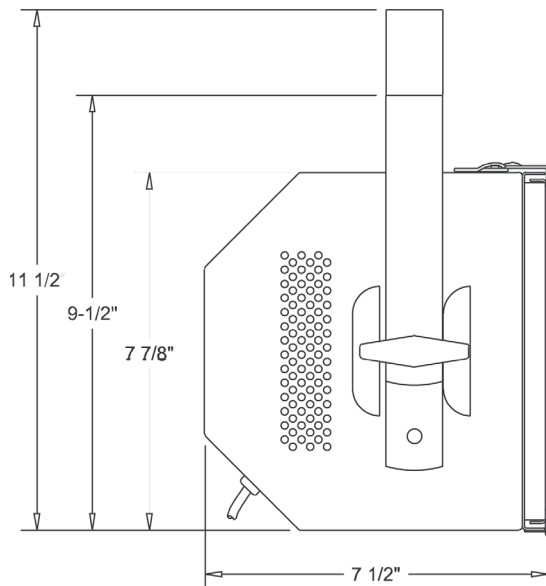
## W150 150W Metal Halide T6

The W150 delivers a lot of light in a rugged, compact package. This fixture can be used for general flood lighting or as a work light, as well as lighting for galleries, museums, retail displays or exhibits where a lot of light is needed from a relatively small luminaire. Made of durable materials, the W150 uses a 150W metal halide lamp and offers the light output of a 600W quartz fixture using a fraction of the energy. The high color rendering and long life is an added bonus.

This fixture features a removable color frame holder with color frame and a multi-position yoke. Tempered safety glass included. Available in black, white and silver finishes. Custom colors are available by request at an additional charge.

### Features:

- 120 and 277-volt available
- Accepts 150-watt T6 metal halide lamps
- Energy efficient
- Long lamp life - 12,000hr
- Operates in any position
- Ultra wide beam angle
- Multi-position yoke
- Toolless relamping
- Removable color frame holders
- Glass safety shield
- Weight: 9.5 lbs.



Last updated 04/10/2014.

## Mounting Options

### T1

Track adapter for commercial grade 1 & 2 circuit track. 120V. For use with larger, heavier fixtures.

### TA2 / HTA2 (277)

Track adapter for G-Series specification grade 2-circuit track. 120V or 277V.

### TA3

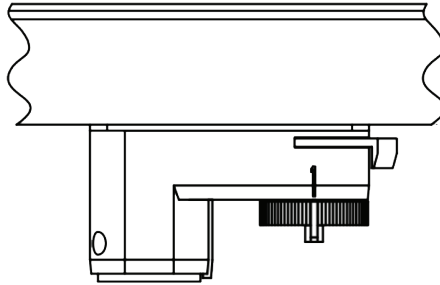
Track adapter for G-Series specification grade 3-circuit track. 120V.

### TA1 / TE2 (2 circuit)

Track adapter for E-Series specification grade track. 1 or 2 circuit. 120V.

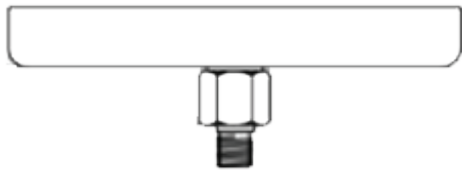
### ST2

2 circuit track adapter for Data Bus. Specification grade track. 120V.



### CM4

Canopy mount.



### US1

6 5/8" x 1 1/2" Unistrut adapter.



### TB8

8" x 8" Portable table base for floor or table use.

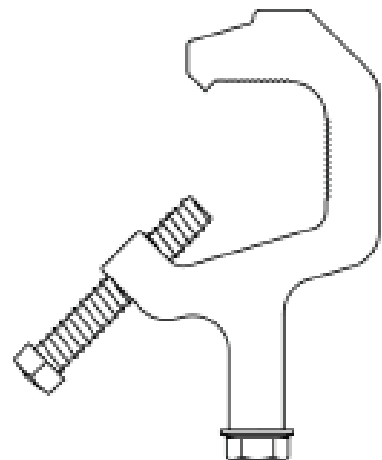


### MN

Medium duty pipe clamp for small to large fixtures. For pipes up to 2" O.D.

### PC9M

Heavy duty pipe clamp for large, heavy fixtures. For pipes up to 2" O.D.

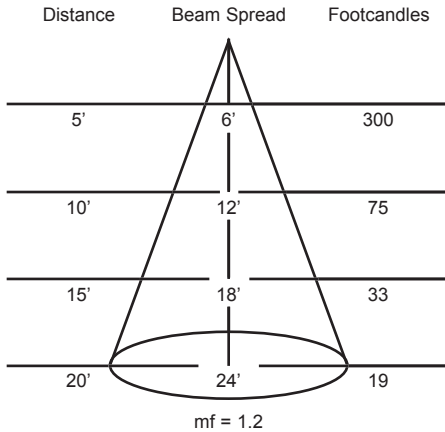


# W150 150W Metal Halide T6

Specify: W150 - - -  
MODEL NUMBER FINISH MOUNTING (optional) ACCESSORIES (optional)  
Example: W150 - -B - -PC9M - -CF35

## Photometric Data

### 150W CDM150/T6/830, 62°BA, 108°FA



## Lamp Types

**CDM150/T6/830** 150W; 12000Hrs;  
3000°K Color Temp

**CDM150/SA** 150W; 5000Hrs; 4200°K  
Color Temp

## Accessories

CF35	Color Frame
GF35	Glass Color Filter
DF35	Dichroic Color Filter
GF35-600	5°x50°Linear Lens
GF35-601	Solite Diffusion
GF35-602	Beam Softener
GF35-673	50°x50° Spread Lens
GF35-702	UV Blocking Filter
CC18	Coiled Cord
SC	Safety Cable

## Finish

B	Black
W	White
S	Silver
CC	Custom Color