

Job Name:  Fixture Type:  Qty:

**The Broadway Cyc by Times Square Lighting**

**Series 720 300-1500W T3-T6**



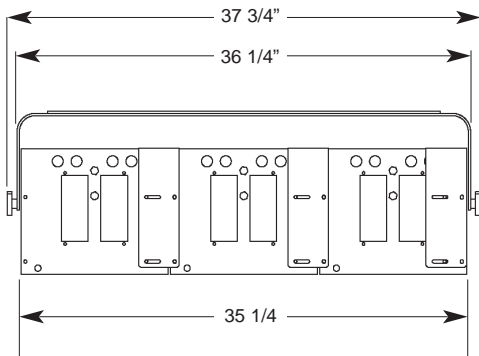
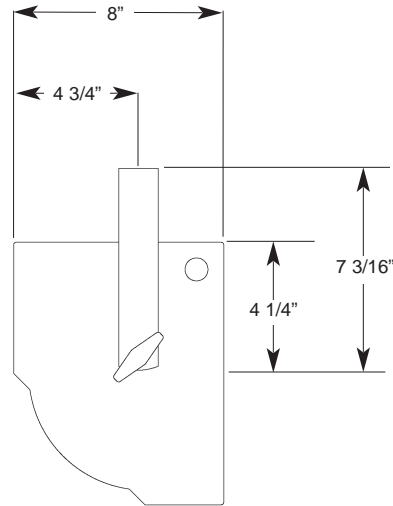
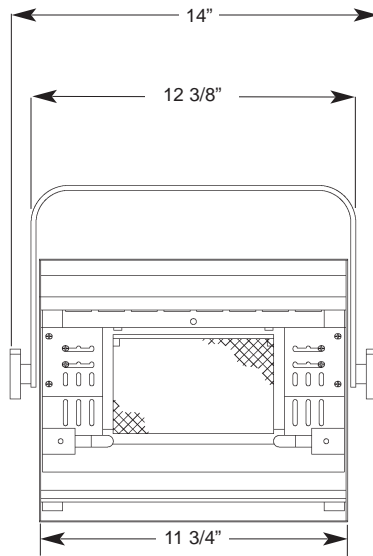
- 720-1, single cell
- 720-2, double cell
- 720-3, triple cell
- 720-4, four cell

The Broadway Cyc is a lightweight yet rugged fixture designed with an asymmetrical reflector to provide a brilliant, even wash of light for cycloramas and backdrops. Rated for 1500 watts, this unit features adjustable lampholders which accept lamps of three different lengths. A joiner bracket allows this luminaire to be easily converted into multiple cell units. This fixture is available with a variety of yokes and other hanging hardware to accommodate various overhead and groundrow mounting configurations.

**Features:**

- Lightweight, welded steel construction
- Polished asymmetrical reflector provides an even wash of light
- Joiner bracket allows for conversion to multiple cell units
- Durable black powder coat finish
- Designed for hanging or ground row applications
- Supplied with safety screen, colorframe, mounting yoke and 36", 3 wire leads-bare ends

Manufactured in the USA - IBEW



<b>Model</b>	<b>Width</b>	<b>Shipping Weight</b>
720-1	11 3/4"	15 lbs
720-2	23 1/2"	30 lbs
720-3	35 1/4"	45 lbs
720-4	47"	60 lbs

Last updated 6/16/2008.

Specify: - - - -

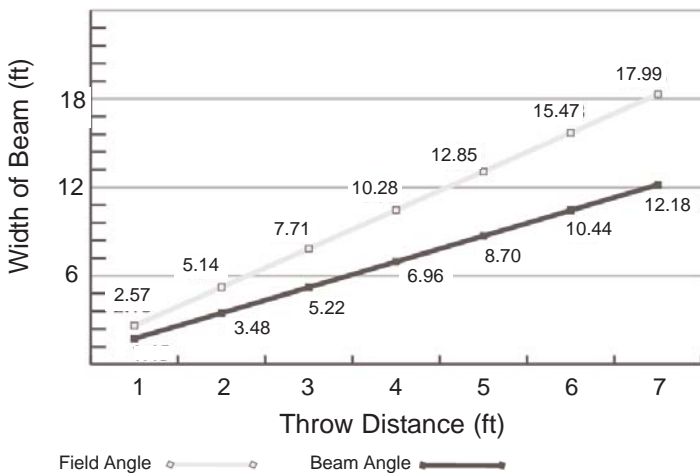
	MODEL NUMBER	FINISH	CONNECTORS	MOUNTING HARDWARE	ACCESSORIES (optional)
Example:	720-01	-B	-E2867	720YK-1	720CF

**Photometric Data\***

**Spread**

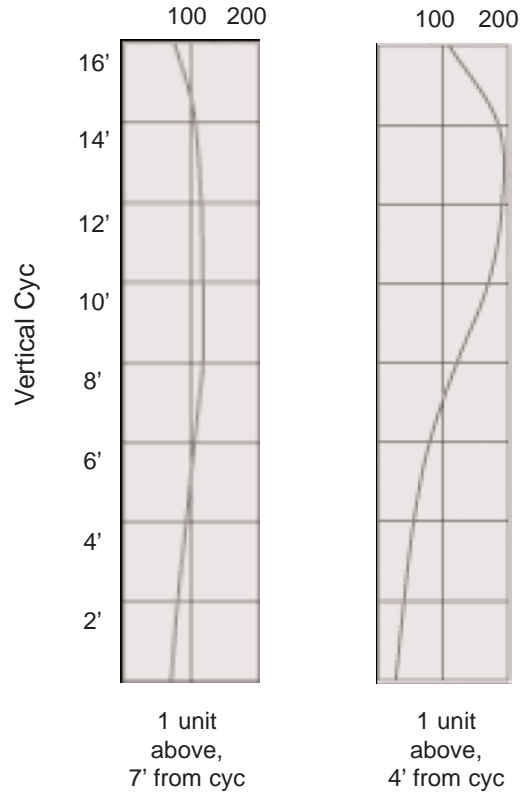
<b>Horizontal</b>	<b>Angle</b>	<b>MF</b>
Beam Angle (50% CBCP)	82°	1.74
Field Angle (10% CBCP)	104°	2.57
<b>Verticle</b>	<b>Angle</b>	<b>MF</b>
Field (cut-off)	88°	1.93

**Beam Width**



To find any beam or field width at any distance: throw distance x mf = width

**Footcandles with FCM lamp**



Center Beam Candlepower (CBCP) varies throughout the field of this luminaire due to the use of an asymmetric reflector

**Male Connectors**

E2867	Edison Plug
E876	Twist Lock
600G	Stage Pin

**Trunnions**

720YK-1	One cell yoke w/hardware
720YK-2	Two cell yoke w/hardware
720YK-3	Three cell yoke w/hardware
720YK-4	Four cell yoke w/hardware
720-UT	Trunnions w/hardware (pair)
LB	L bracket (single)

**Accessories**

720CF	Color frame (10"x11")
PC9M	C clamp
SC	Safety Cable

**Finish**

B	Black
CC	Custom Color

**Lamp Data**

Watts	Volts	ANSI Code	Manufacturer Lamp Code	Color Temp. (°K)	Rated Life (hrs)	Rated Lumens
<b>4 11/16" (119 mm) M.O.L. Lamps</b>						
300	120	EHM	QT3/CL	3200	2000	6000
300*	130	EHZ	QT3	3000	2000	5900
350	120	-	QT3/CL/HIR	3000	2000	10000
350*	120	-	QT2/4/FDF/HIR	3200	400	13250
500	120	FCL	QT3/CL	3200	2000	11000
500*	120	FCZ	QT3	3000	2000	10800
500	120	FDF	QT3/4CL	3200	400	13250
500*	120	FDN	QT3/4	3200	400	12800
500	230	DVS	QT3/CL	3000	2000	10550
750	120	EJG	QT3/4CL	3200	400	20600
750*	120	EMD	QT3/4	3200	400	19500
1000	120	FCM	QT3/4CL	3200	400	28000
1000*	120	FHM	QT3/4	3200	400	27300
1000	220	-	QT3/4CL	3200	300	25500
<b>5 5/8" (143 mm) M.O.L. Lamps</b>						
1000	120	DWT	QT6/CL	3200	2000	23400
1000	120	FER	QT6/CL	3200	500	27500
<b>6 9/16" (167 mm) M.O.L. Lamps</b>						
675	120	-	QT3/4/FFT/HIR	3200	400	26000
1000	120	FFT	QT3/1CL	3200	400	26400
1500	120	FDB	QT4/4CL	3200	400	41200
1500*	120	FGT	QT4/4	3200	400	40200

\*Frosted Finish

\*The photometrics above are based on a single lamp only. Due to the overlapping of beam patterns, actual photometrics depend upon the total number of lamps being used.