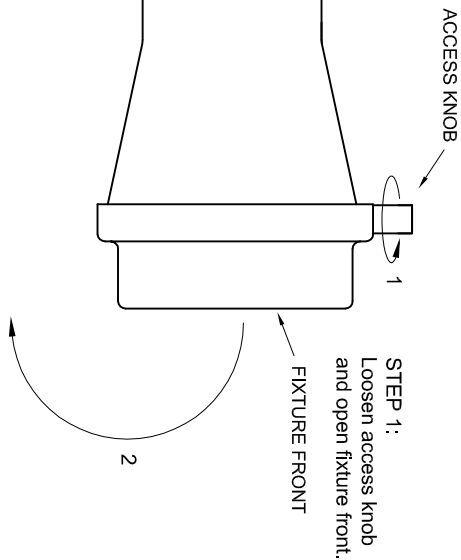
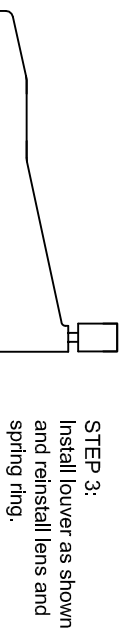


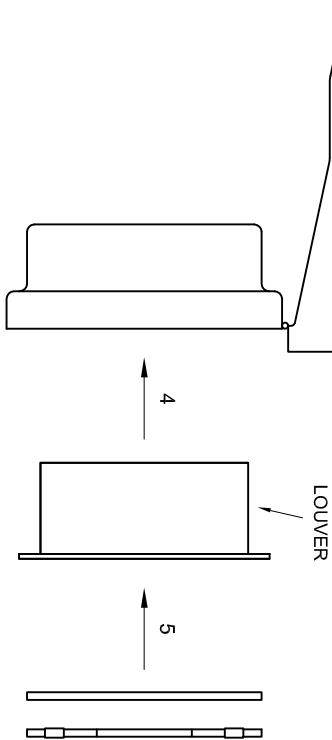
XL3 CROSS BAFFLE LOUVER INSTALLATION INSTRUCTIONS



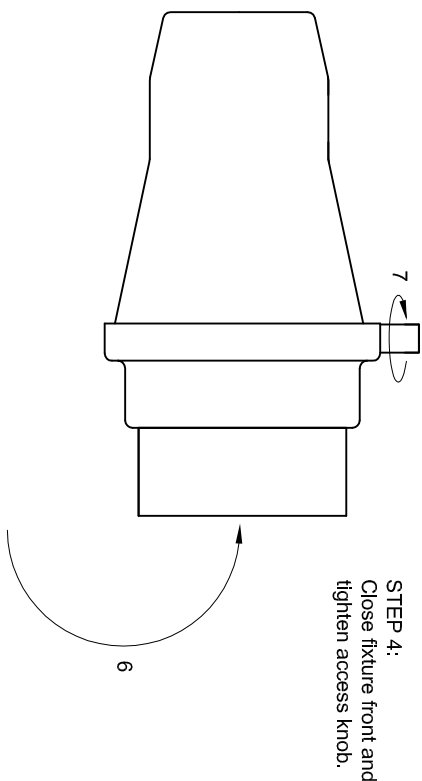
STEP 1:
Loosen access knob
and open fixture front.



STEP 2:
Remove lens
and spring ring.



STEP 3:
Install louver as shown
and reinstall lens and
spring ring.



STEP 4:
Close fixture front and
tighten access knob.