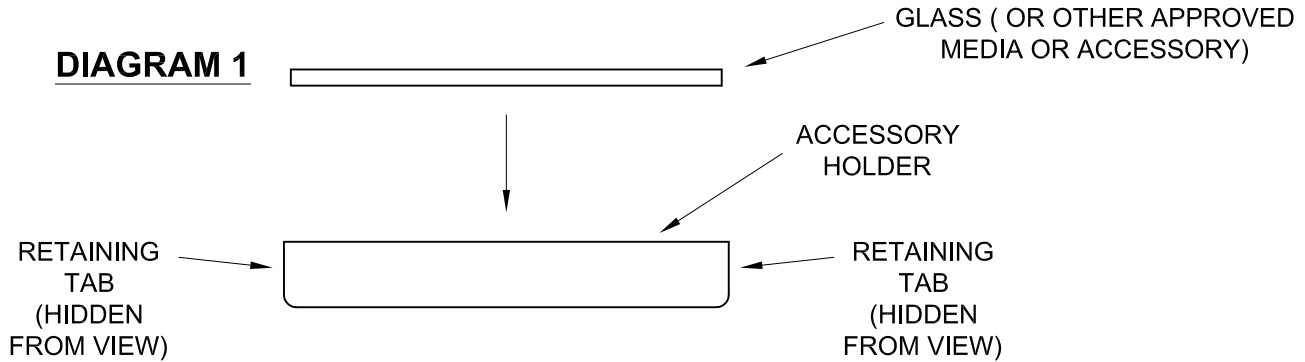


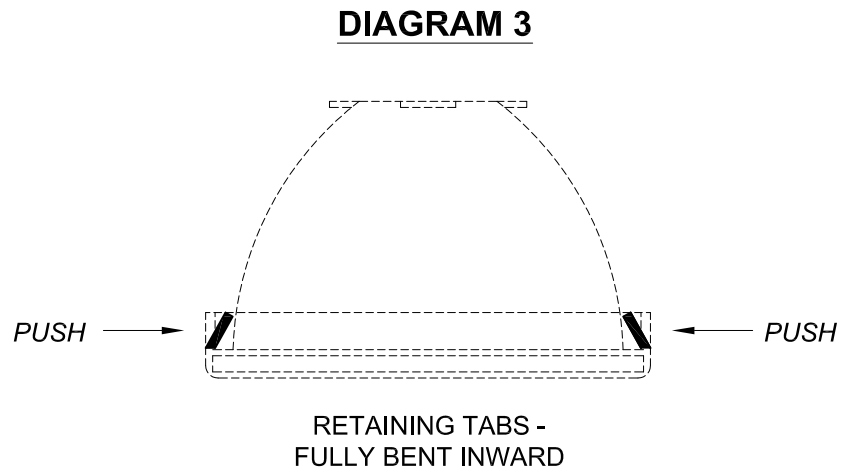
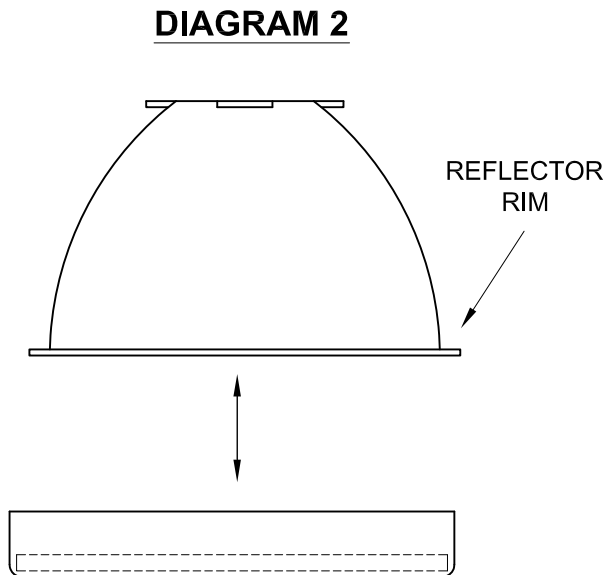
**X00517 INSTALLATION INSTRUCTIONS -  
SAVE THESE INSTRUCTIONS**

1. Insert glass (or other approved media or accessories) into the X00517 Accessory Holder. (See DIAGRAM 1)

**WARNING:** The combined thickness of the glass-media-accessory stack must not exceed .260" (6.60 mm).



2. Sandwich the glass-media-accessory stack between the Reflector Rim and the Accessory Holder as shown in DIAGRAM 2.



3. Squeeze the two Retaining Tabs inward such that they firmly press up against the side of the reflector and overlap the Reflector Rim. (See DIAGRAM 3)