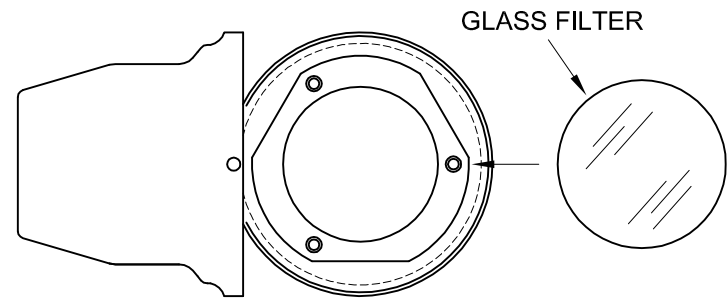
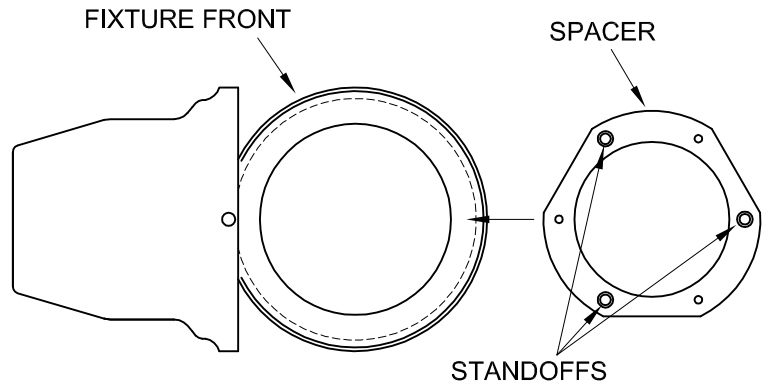


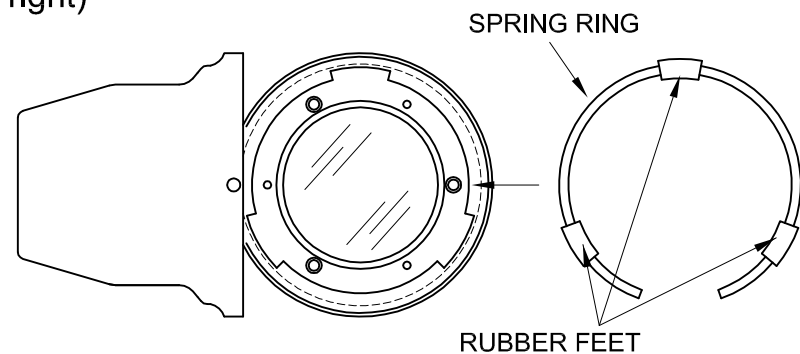
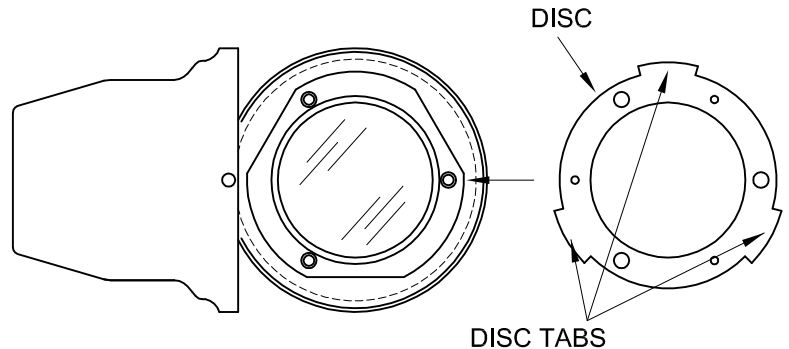
**GFH6 INSTALLATION INSTRUCTIONS - SAVE THESE INSTRUCTIONS**

1) Insert SPACER inside FIXTURE FRONT as shown. NOTE: The 3 STANDOFFS should be facing interior of fixture when front is closed. (See diagram to right)



2) Insert GLASS FILTER inside SPACER such that it is centered within the 3 STANDOFFS. (See diagram to left)

3) Insert DISC onto SPACER such that the 3 large holes of the DISC align with the 3 STANDOFFS. Push DISC down onto GLASS FILTER. (See diagram to right)



4) Insert SPRING RING onto DISC to hold all parts in place. NOTE: RUBBER FEET on SPRING RING should align with DISC TABS.

5) Make certain that all components are fairly snug. If the SPRING RING seems a little loose, remove it and manually spread the ring open a tad and reinstall. Repeat until the RUBBER FEET adequately grab the interior of the FIXTURE FRONT.

