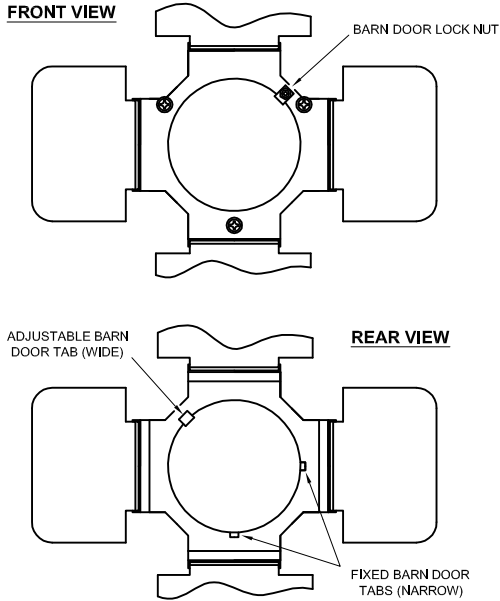


**BD10 INSTALLATION INSTRUCTIONS -
SAVE THESE INSTRUCTIONS**

(Refer to diagrams below)

- 1) Loosen the barn door lock nut approximately 4-5 turns.
- 2) Hook the 2 *fixed* barn door tabs on the outside rim of the fixture aperture. NOTE: The glass may need to be pushed inward approximately 1/8".
- 3) Hook the *adjustable* barn door tab on the outside rim of the fixture aperture.
- 4) While pushing the adjustable tab outward, completely tighten the lock nut until the barn door is held in place by all 3 tabs.
- 5) To rotate the barn door, loosen the lock nut 1-2 turns, rotate to desired position, and retighten.

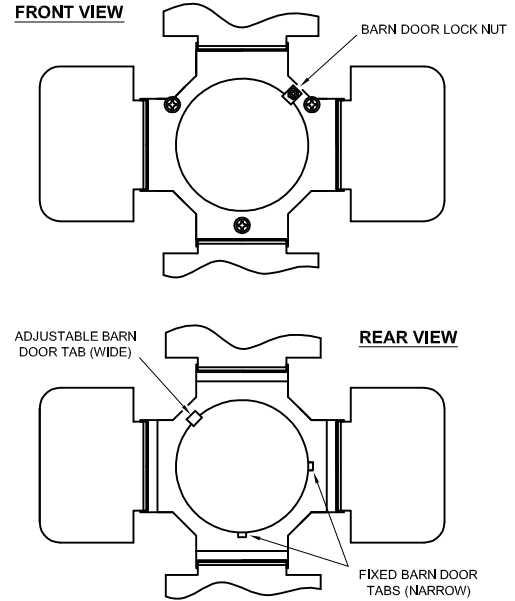


SPECIFICATIONS SUBJECT TO CHANGE WITHOUT NOTICE. COPYRIGHT © TIMES SQUARE LIGHTING, INC., 2014. ALL RIGHTS RESERVED. INSTR 0026

**BD10 INSTALLATION INSTRUCTIONS -
SAVE THESE INSTRUCTIONS**

(Refer to diagrams below)

- 1) Loosen the barn door lock nut approximately 4-5 turns.
- 2) Hook the 2 *fixed* barn door tabs on the outside rim of the fixture aperture. NOTE: The glass may need to be pushed inward approximately 1/8".
- 3) Hook the *adjustable* barn door tab on the outside rim of the fixture aperture.
- 4) While pushing the adjustable tab outward, completely tighten the lock nut until the barn door is held in place by all 3 tabs.
- 5) To rotate the barn door, loosen the lock nut 1-2 turns, rotate to desired position, and retighten.

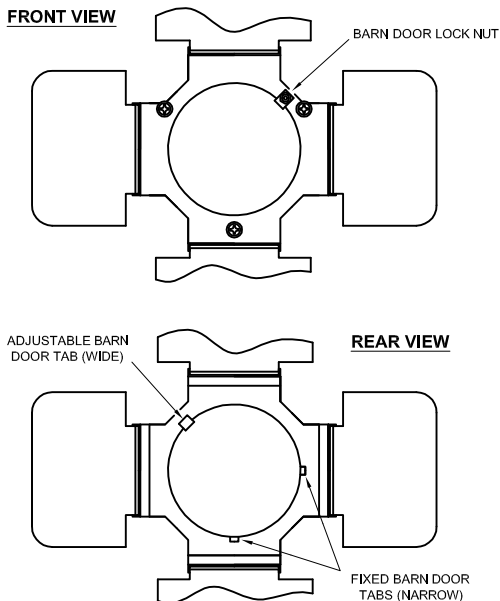


SPECIFICATIONS SUBJECT TO CHANGE WITHOUT NOTICE. COPYRIGHT © TIMES SQUARE LIGHTING, INC., 2014. ALL RIGHTS RESERVED. INSTR 0026

**BD10 INSTALLATION INSTRUCTIONS -
SAVE THESE INSTRUCTIONS**

(Refer to diagrams below)

- 1) Loosen the barn door lock nut approximately 4-5 turns.
- 2) Hook the 2 *fixed* barn door tabs on the outside rim of the fixture aperture. NOTE: The glass may need to be pushed inward approximately 1/8".
- 3) Hook the *adjustable* barn door tab on the outside rim of the fixture aperture.
- 4) While pushing the adjustable tab outward, completely tighten the lock nut until the barn door is held in place by all 3 tabs.
- 5) To rotate the barn door, loosen the lock nut 1-2 turns, rotate to desired position, and retighten.

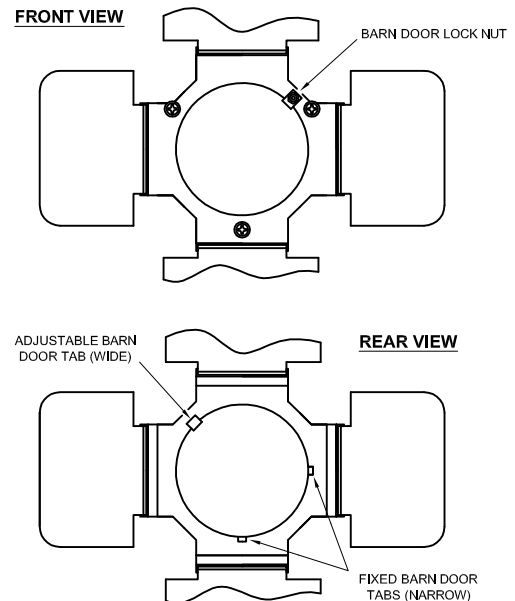


SPECIFICATIONS SUBJECT TO CHANGE WITHOUT NOTICE. COPYRIGHT © TIMES SQUARE LIGHTING, INC., 2014. ALL RIGHTS RESERVED. INSTR 0026

**BD10 INSTALLATION INSTRUCTIONS -
SAVE THESE INSTRUCTIONS**

(Refer to diagrams below)

- 1) Loosen the barn door lock nut approximately 4-5 turns.
- 2) Hook the 2 *fixed* barn door tabs on the outside rim of the fixture aperture. NOTE: The glass may need to be pushed inward approximately 1/8".
- 3) Hook the *adjustable* barn door tab on the outside rim of the fixture aperture.
- 4) While pushing the adjustable tab outward, completely tighten the lock nut until the barn door is held in place by all 3 tabs.
- 5) To rotate the barn door, loosen the lock nut 1-2 turns, rotate to desired position, and retighten.



SPECIFICATIONS SUBJECT TO CHANGE WITHOUT NOTICE. COPYRIGHT © TIMES SQUARE LIGHTING, INC., 2014. ALL RIGHTS RESERVED. INSTR 0026