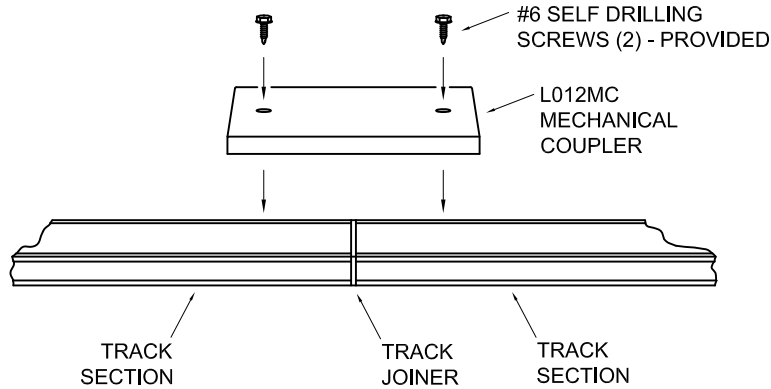


## INSTRUCTIONS FOR INSTALLING THE L012MC MECHANICAL JOINER FOR SINGLE CIRCUIT TRACK

**STEP 1:**  
Install a Track Joiner between two track sections and tighten the Track Joiner screws. This makes an electrical connection from one track section to the other.

**STEP 2:**  
Place the Mechanical Coupler over the Track Joiner, centering it over the Joiner as shown.

**STEP 3:**  
Secure the Mechanical Coupler to the track sections with the two self drilling screws provided. This makes a secure mechanical connection from one track section to the other.



SPECIFICATIONS SUBJECT TO CHANGE WITHOUT NOTICE. COPYRIGHT © TIMES SQUARE LIGHTING, INC., 2016. ALL RIGHTS RESERVED.

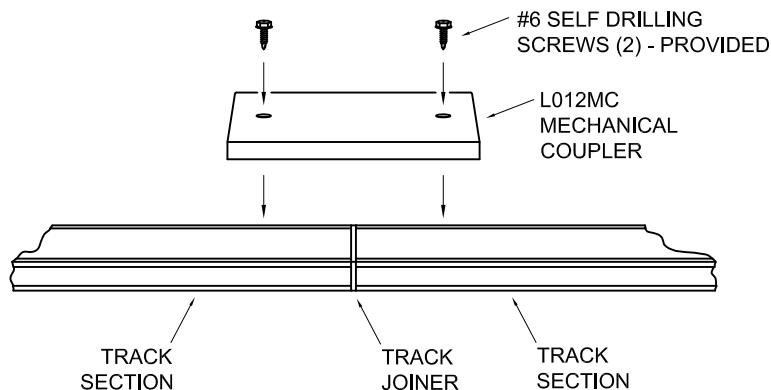
INSTR 0045

## INSTRUCTIONS FOR INSTALLING THE L012MC MECHANICAL JOINER FOR SINGLE CIRCUIT TRACK

**STEP 1:**  
Install a Track Joiner between two track sections and tighten the Track Joiner screws. This makes an electrical connection from one track section to the other.

**STEP 2:**  
Place the Mechanical Coupler over the Track Joiner, centering it over the Joiner as shown.

**STEP 3:**  
Secure the Mechanical Coupler to the track sections with the two self drilling screws provided. This makes a secure mechanical connection from one track section to the other.



SPECIFICATIONS SUBJECT TO CHANGE WITHOUT NOTICE. COPYRIGHT © TIMES SQUARE LIGHTING, INC., 2016. ALL RIGHTS RESERVED.

INSTR 0045