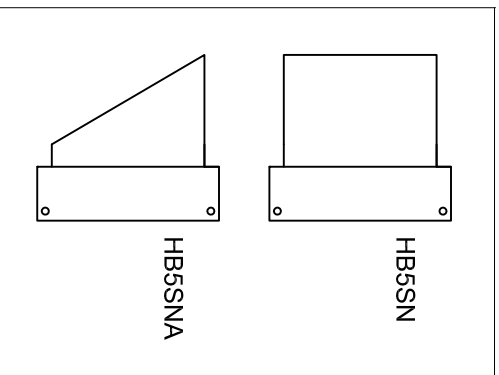


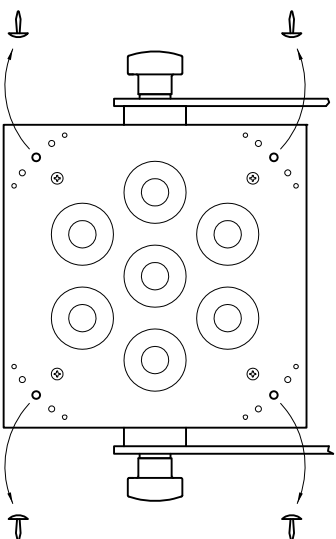
TIMES SQUARE LIGHTING INC.

Times Square Lighting, Inc. 5 Holt Drive, Stony Point, NY 10980
 845-947-3034 FAX: 845-947-3047 www.tslight.com

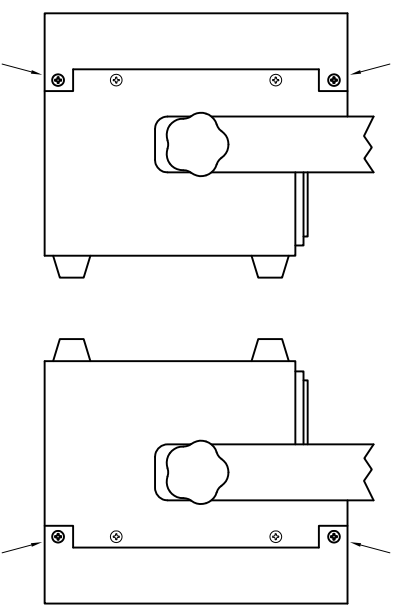
HB5SN & HB5SNA SNOOT INSTALLATION INSTRUCTIONS - SAVE THESE INSTRUCTIONS



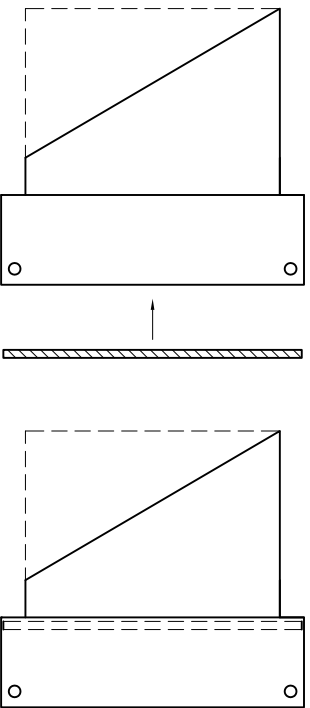
STEP 1:
 Pry out the 4 hole plugs with a knife or a small screwdriver and discard the hole plugs.



STEP 2:
 Remove the 4 screws (indicated by the arrows - 2 on each side) and set them aside.



STEP 3 (Optional):
 If diffusion is to be used, install that fully into the snoot as shown.



STEP 4:
 Install the snoot onto the fixture front and replace the 4 screws that were set aside from Step 2.

