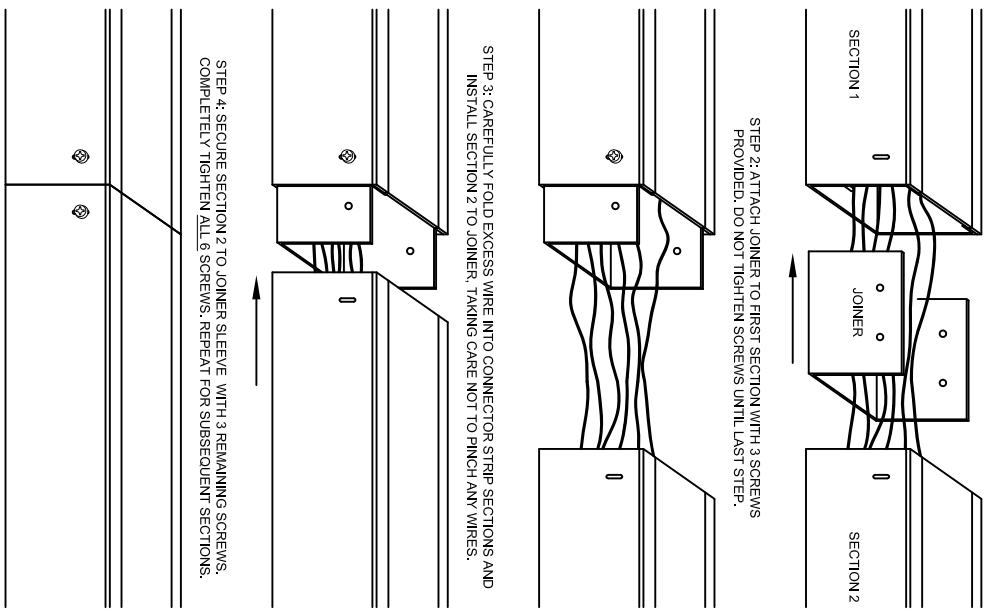
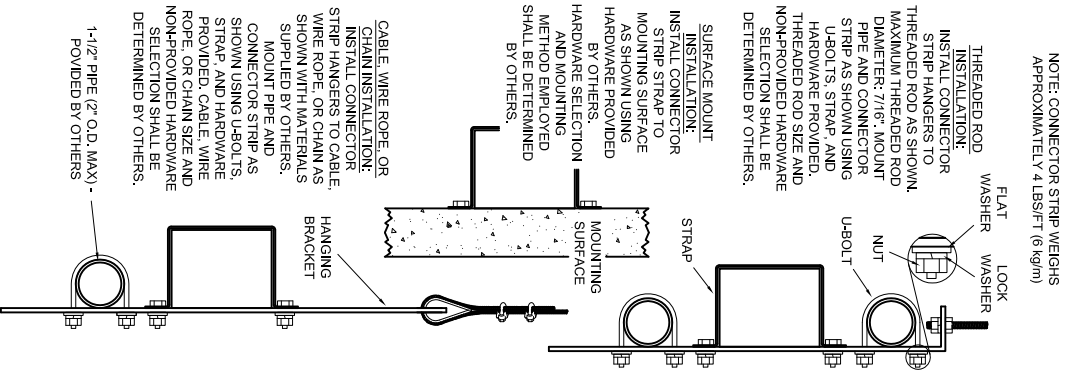


**JOINING CONNECTOR
STRIP SECTIONS**



**HANGING/MOUNTING
CONNECTOR STRIP**



**MAKING ELECTRICAL
CONNECTIONS**

