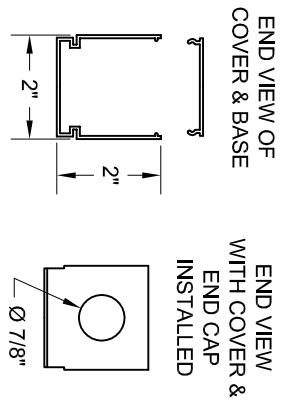


# TIMES SQUARE LIGHTING INC.

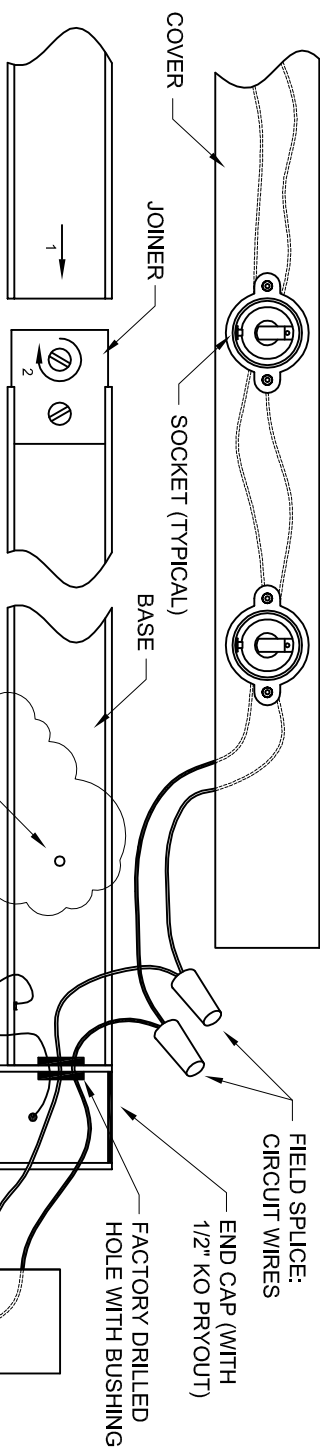
Times Square Lighting, Inc. 5 Holt Drive, Stony Point, NY 10980  
 845-947-3034 FAX: 845-947-3047 www.tsilight.com

## 07M INSTALLATION INSTRUCTIONS - SAVE THESE INSTRUCTIONS

NOTE: THE DIAGRAM BELOW IS AN EXAMPLE OF A TYPICAL INSTALLATION. YOUR LAYOUT MAY VARY, BUT THE METHODS ARE THE SAME.

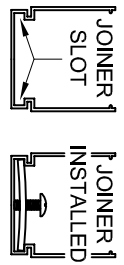


NOTE: COVERS CAN BE EASILY PRIED OFF WITH A SCREWDRIVER. START AT ONE END & WORK SCREWDRIVER TOWARDS OTHER END, GENTLY LIFTING COVER AS YOU GO. MAKE CERTAIN THAT YOU DO NOT NICK OR PINCH WIRES WITH THE SCREWDRIVER TIP.



### STRAIGHT SECTION CONNECTION:

- Slide base onto joiner using slot in lower end.
- Tighten set screw until snug (joiner will bend slightly).



MOUNTING HOLES ARE TO BE MADE IN THE FIELD. MOUNTING MEANS & MOUNTING HARDWARE TO BE DETERMINED BY OTHERS. MOUNTING HARDWARE PROVIDED BY OTHERS.

