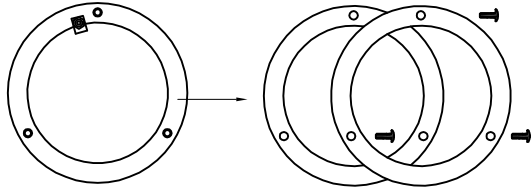


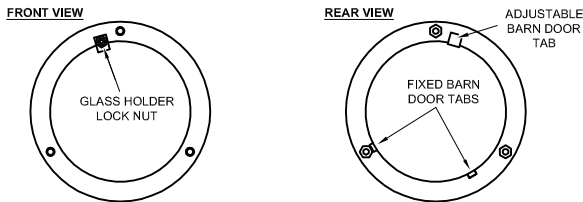
**LED1738 GFH8 INSTALLATION INSTRUCTIONS -  
SAVE THESE INSTRUCTIONS**

Remove the 3 screws and 2 rings from the glass holder frame and set them aside. (See diagram below). NOTE: The 3 screws and 2 rings will be needed for installing the glass, which is detailed in the instructions to the far right.



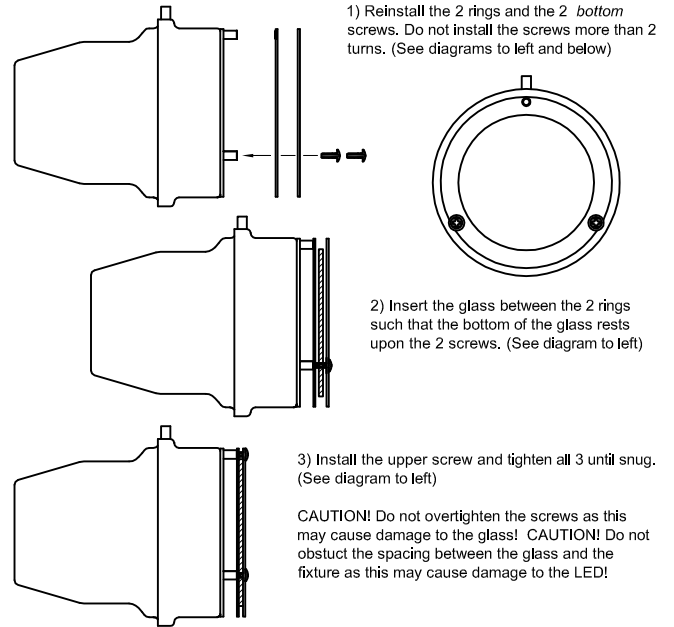
(For the remaining steps, refer to the diagrams directly below)

- 2) Loosen the glass holder lock nut approximately 4-5 turns.
- 3) Hook the 2 *fixed* glass holder tabs on the outside rim of the fixture aperture.
- 4) Hook the *adjustable* glass holder tab on the outside rim of the fixture aperture.
- 5) While pushing the adjustable tab outward, completely tighten the lock nut until the glass holder is held in place by all 3 tabs.



**LED1738 GFH8 GLASS INSTALLATION INSTRUCTIONS -  
SAVE THESE INSTRUCTIONS**

Before beginning this procedure, locate and have on hand the 2 rings and 3 screws that were removed from the procedure to the left.



- 1) Reinstall the 2 rings and the 2 *bottom* screws. Do not install the screws more than 2 turns. (See diagrams to left and below)

- 2) Insert the glass between the 2 rings such that the bottom of the glass rests upon the 2 screws. (See diagram to left)

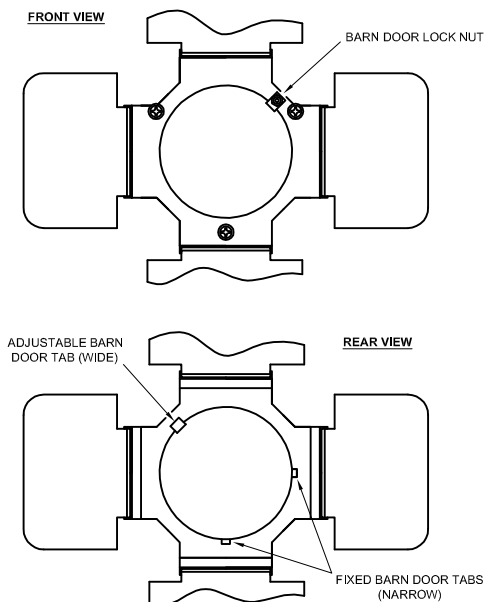
- 3) Install the upper screw and tighten all 3 until snug. (See diagram to left)

**CAUTION!** Do not overtighten the screws as this may cause damage to the glass! **CAUTION!** Do not obstruct the spacing between the glass and the fixture as this may cause damage to the LED!

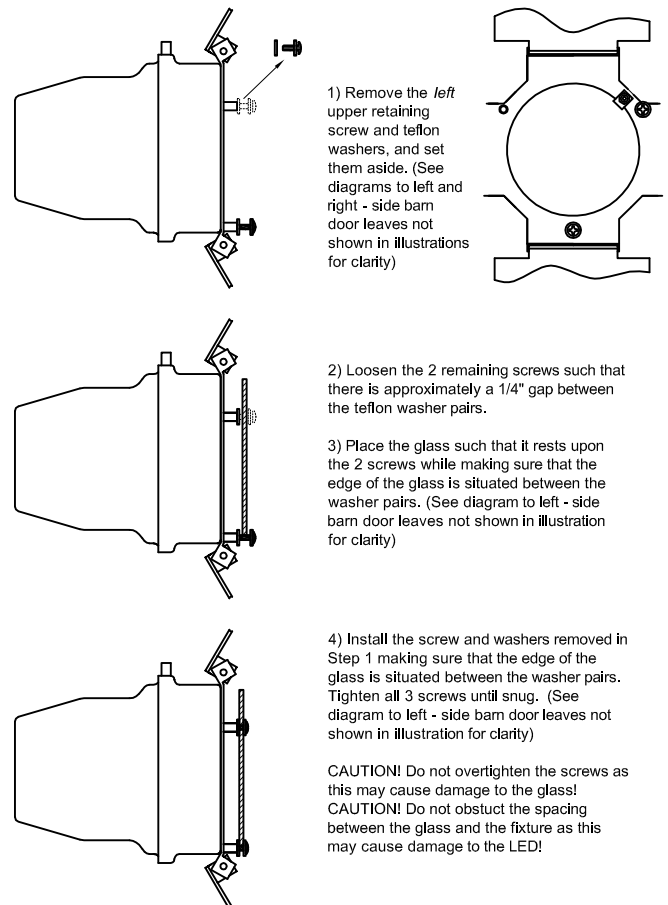
**LED1738 BD7L INSTALLATION INSTRUCTIONS -  
SAVE THESE INSTRUCTIONS**

(Refer to diagrams below)

- 1) Loosen the barn door lock nut approximately 4-5 turns.
- 2) Hook the 2 *fixed* barn door tabs on the outside rim of the fixture aperture.
- 3) Hook the *adjustable* barn door tab on the outside rim of the fixture aperture.
- 4) While pushing the adjustable tab outward, completely tighten the lock nut until the barn door is held in place by all 3 tabs.
- 5) To rotate the barn door, loosen the lock nut 1-2 turns, rotate to desired position, and retighten.



**LED1738 BD7L GLASS INSTALLATION INSTRUCTIONS -  
SAVE THESE INSTRUCTIONS**



- 1) Remove the *left* upper retaining screw and teflon washers, and set them aside. (See diagrams to left and right - side barn door leaves not shown in illustrations for clarity)

- 2) Loosen the 2 remaining screws such that there is approximately a 1/4" gap between the teflon washer pairs.

- 3) Place the glass such that it rests upon the 2 screws while making sure that the edge of the glass is situated between the washer pairs. (See diagram to left - side barn door leaves not shown in illustration for clarity)

- 4) Install the screw and washers removed in Step 1 making sure that the edge of the glass is situated between the washer pairs. Tighten all 3 screws until snug. (See diagram to left - side barn door leaves not shown in illustration for clarity)

**CAUTION!** Do not overtighten the screws as this may cause damage to the glass! **CAUTION!** Do not obstruct the spacing between the glass and the fixture as this may cause damage to the LED!