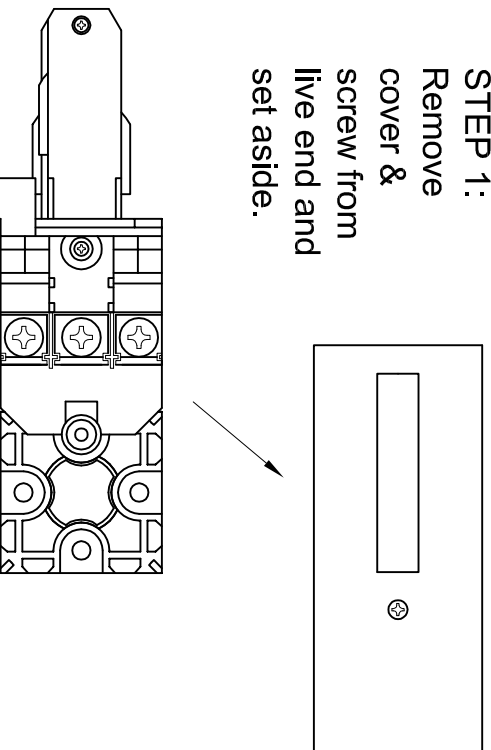
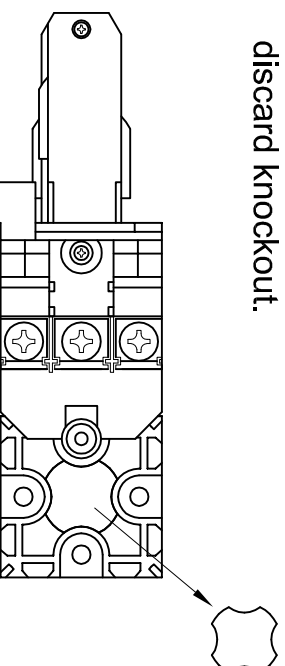


**INSTALLATION INSTRUCTIONS FOR ATTACHING XTSAJ10 ADAPTER
TO SG SERIES LIVE ENDS**

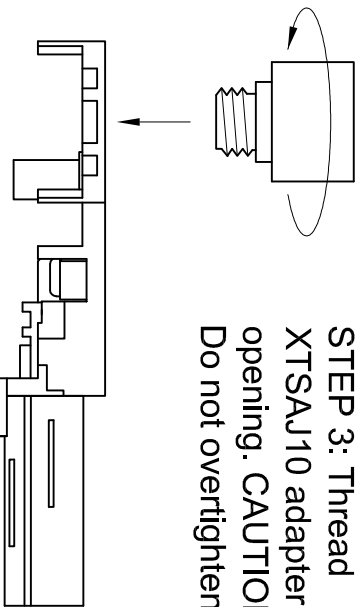
STEP 1:
Remove
cover &
screw from
live end and
set aside.



STEP 2:
Remove center
knockout and
discard knockout.



STEP 3: Thread
XTSAJ10 adapter into
opening. **CAUTION:**
Do not overtighten!



STEP 4: Attach any
standard 1/2" threaded
electrical connector to
adapter (EMT connector
shown). **CAUTION:** Do not
overtighten!

