

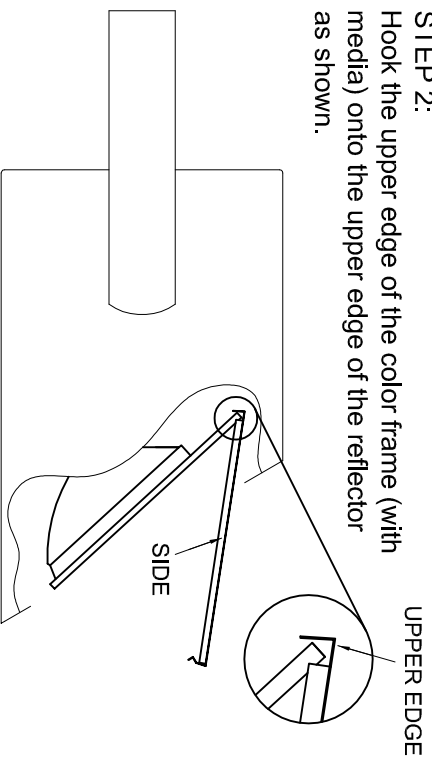
WX12 & WX22 COLOR FRAME INSTALLATION INSTRUCTIONS - SAVE THESE INSTRUCTIONS

STEP 1:

Using the color frame as a template, cut and insert media into color frame.

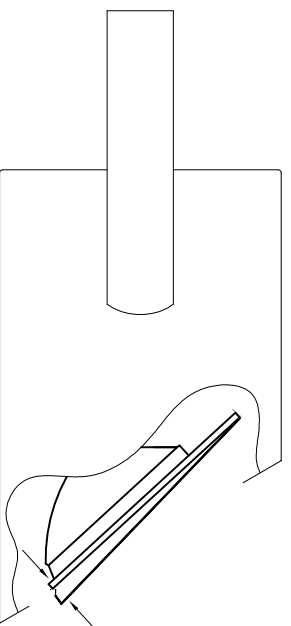
STEP 2:

Hook the upper edge of the color frame (with media) onto the upper edge of the reflector as shown.



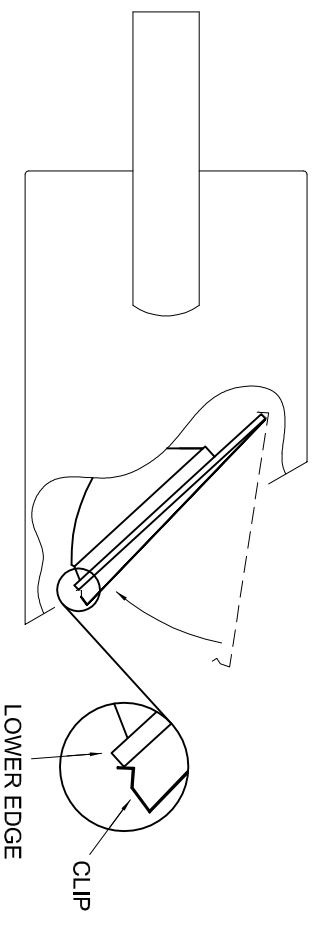
STEP 4:

With equal pressure, using both thumbs and forefingers, *carefully* pinch the color frame and the reflector together such that the clip completely engages the lower edge of the reflector. Care should be taken not to dislodge the reflector from the fixture!



STEP 3:

Rotate color frame such that the clip is resting on the front of the lower edge of the reflector. Make certain the the lower edges are still engaged. Note: In this, and the following diagrams, the color frame sides are not shown for the sake of clarity.



STEP 5:

When properly installed, the color frame should look like the diagram below.

