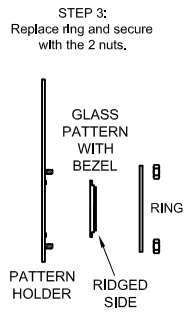


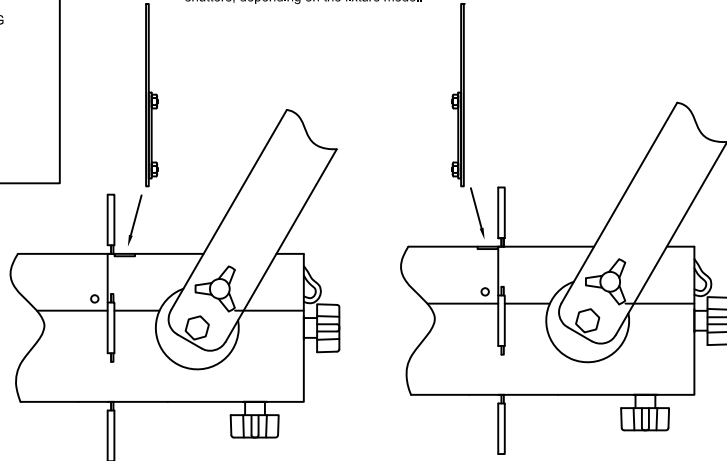
PH6 GOBO HOLDER INSTALLATION INSTRUCTIONS-
PLEASE READ AND UNDERSTAND THESE ENTIRE INSTRUCTIONS BEFORE PROCEEDING!

STEP 1:
 Remove the 2 nuts holding the ring onto the pattern holder and set the nuts and the ring aside.

STEP 2:
 Place and center the pattern over the pattern holder window using the 4 small protrusions as a guide.
NOTE: Keep in mind that the lenses will reverse and flip the pattern's projected image. **CAUTION:** For the installation of glass patterns, please refer to the diagram to the right.



STEP 4:
 Carefully install the pattern holder into the correct pattern holder slot with the nuts facing away from the shutters. **NOTE:** The slot may be located in front of or behind the shutters, depending on the fixture model.

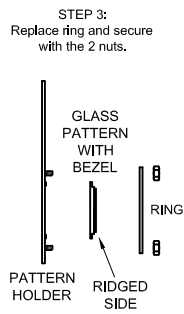


WARNING! IMPROPER GOBO INSTALLATION WILL RESULT IN MISALIGNMENT AND POSSIBLE DAMAGE TO FIXTURE, GOBO, AND/OR PATTERN HOLDER. ALSO, IMPROPER INSTALLATION MAY ALSO RESULT IN GOBO BEING STUCK INSIDE FIXTURE!

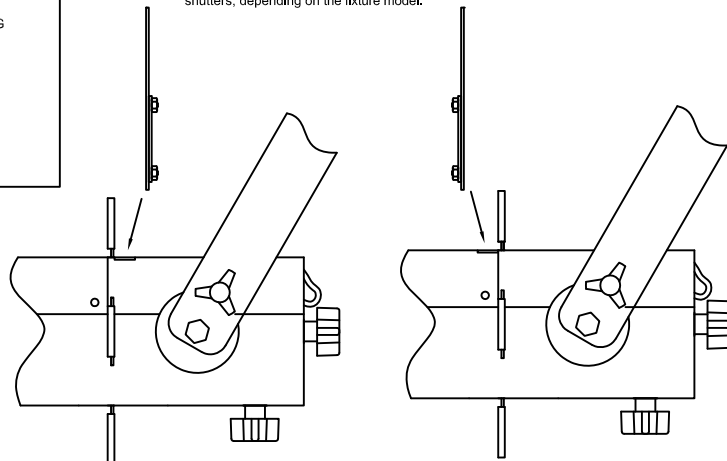
PH6 GLASS GOBO HOLDER INSTALLATION INSTRUCTIONS-
PLEASE READ AND UNDERSTAND THESE ENTIRE INSTRUCTIONS BEFORE PROCEEDING!

STEP 1:
 Remove the 2 nuts holding the ring onto the pattern holder and set the nuts and the ring aside.

STEP 2:
 Place and center the pattern over the pattern holder window using the 4 small protrusions as a guide.
NOTE: Keep in mind that the lenses will reverse and flip the pattern's projected image. **CAUTION:** For the installation of glass patterns, please refer to the diagram to the right.



STEP 4:
 Carefully install the pattern holder into the correct pattern holder slot with the nuts facing away from the shutters. **NOTE:** The slot may be located in front of or behind the shutters, depending on the fixture model.



WARNING! IMPROPER GOBO INSTALLATION WILL RESULT IN MISALIGNMENT AND POSSIBLE DAMAGE TO FIXTURE, GOBO, AND/OR PATTERN HOLDER. ALSO, IMPROPER INSTALLATION MAY ALSO RESULT IN GOBO BEING STUCK INSIDE FIXTURE!