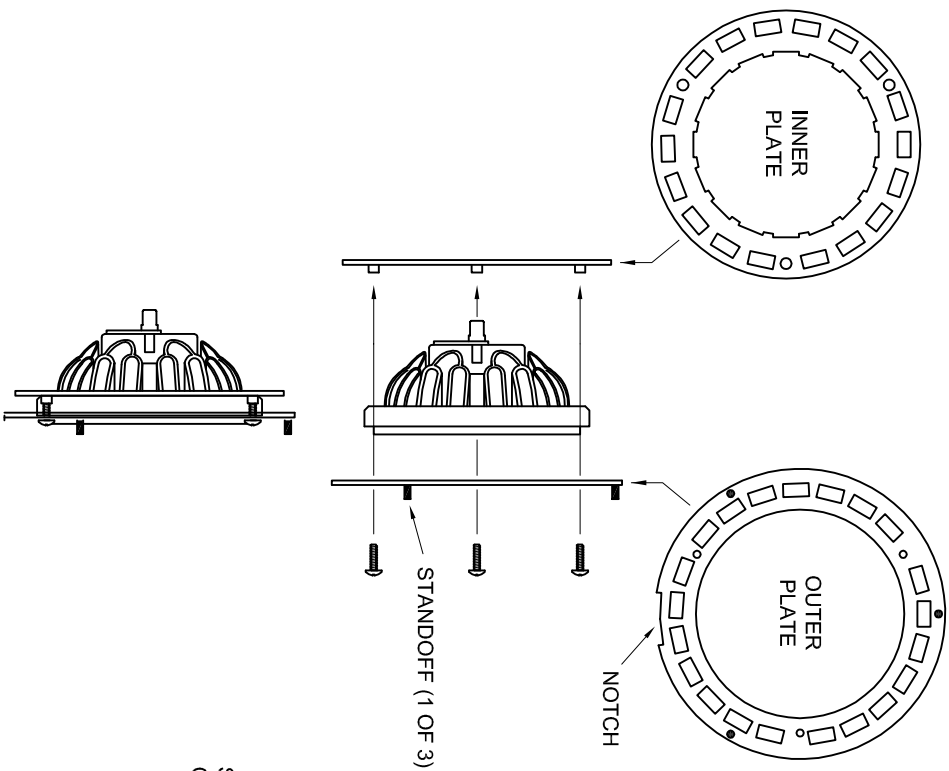


AR111 LED ADAPTER RING & LAMP INSTALLATION INSTRUCTIONS FOR MK4

STEP 1:

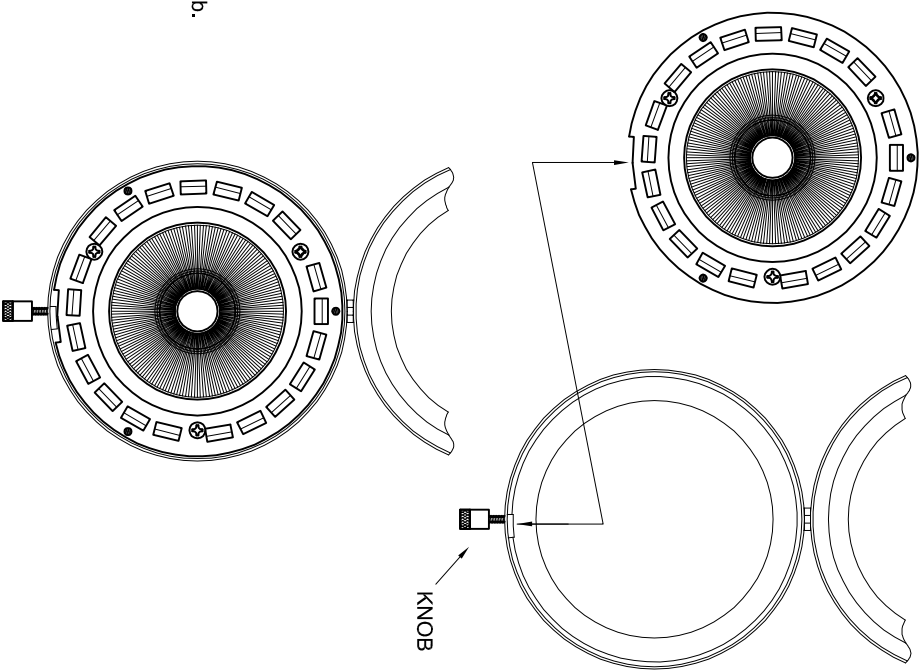
Sandwich lamp between the inner and outer adapter plates as shown.

NOTE: The outer plate has a notch on the outside edge. Make certain that the standoffs on the outer plate face away from the lamp.



STEP 2:

Connect fixture wires to lamp terminals and install lamp/adapter ring assembly into fixture housing. Make certain that the notch on the outer adapter ring aligns with the fixture knob.



STEP 3:

Close fixture front and tighten knob.