

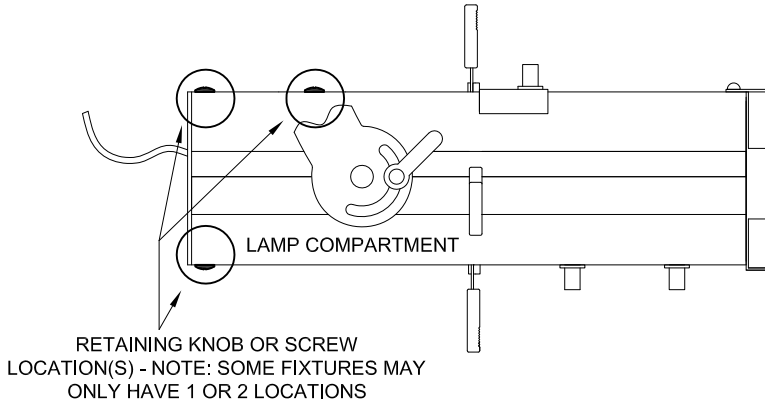
**INSTRUCTIONS FOR LOCKING THE SHUTTERS ON PROJECTORS
EQUIPPED WITH SHUTTER-LOK™ FEATURE**

STEP 1:

Aim and focus projector until shutter blades are set to their desired location. **WARNING:** After shutters are set, disconnect power to projector and allow projector to sufficiently cool before proceeding to the next step!

STEP 2:

carefully loosen the lamp compartment retaining knob(s) or screw(s) (this will depend on the model of framing projector).

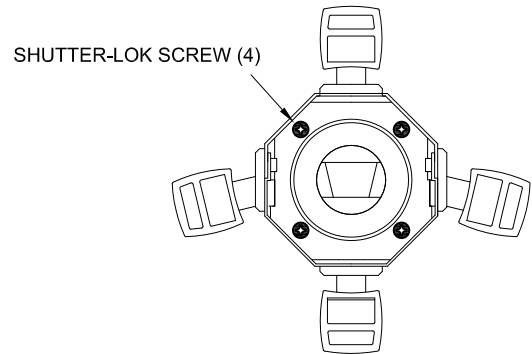


STEP 3:

Carefully and gently pull lamp compartment straight out until lamp is clear of fixture.

STEP 4:

With a Phillips head screwdriver, tighten (clockwise) the four "Shutter-lok" screws until snug. Do not overtighten!



STEP 5:

Reverse Steps 2 and 3.

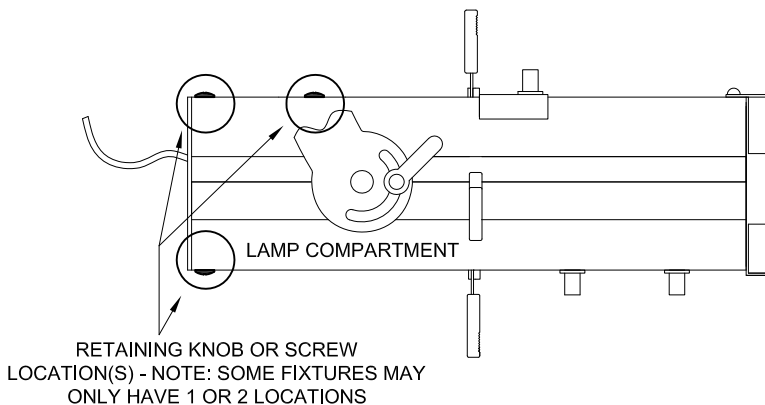
**INSTRUCTIONS FOR LOCKING THE SHUTTERS ON PROJECTORS
EQUIPPED WITH SHUTTER-LOK™ FEATURE**

STEP 1:

Aim and focus projector until shutter blades are set to their desired location. **WARNING:** After shutters are set, disconnect power to projector and allow projector to sufficiently cool before proceeding to the next step!

STEP 2:

carefully loosen the lamp compartment retaining knob(s) or screw(s) (this will depend on the model of framing projector).

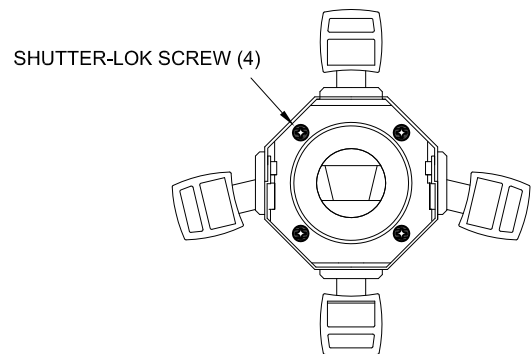


STEP 3:

Carefully and gently pull lamp compartment straight out until lamp is clear of fixture.

STEP 4:

With a Phillips head screwdriver, tighten (clockwise) the four "Shutter-lok" screws until snug. Do not overtighten!



STEP 5:

Reverse Steps 2 and 3.