

E SERIES H-CHANNEL INSTALLATION INSTRUCTIONS - SAVE THESE INSTRUCTIONS

IMPORTANT SAFETY INSTRUCTIONS - READ FIRST!

CAUTION: Read and understand these entire instructions before proceeding.

CAUTION: Do not expose the track system to any lubricants, solvents or cleaning solutions, as they may impair the strength of the product. To clean, use a damp cloth only.

CAUTION: Do not slide any adapter down the track to change its location. The adapter must be properly removed from the track and re-inserted into its desired location.

CAUTION: The Times Square track system is intended for use only with Times Square components and lighting fixtures. To reduce risk of fire or personal injury, do not use other components as part of this system.

CAUTION: The track system is to be installed by qualified electricians only, and in accordance with the National Electrical Code and all local codes and ordinances.

CAUTION: Do not install the track system in damp or wet locations, where likely to be subjected to physical damage, in hazardous (classified) locations, where subject to corrosive vapors, in storage battery rooms, where concealed or extended through walls or partitions, or within a zone measured 3ft horizontally and 8ft vertically from the top of a bathtub rim or shower threshold.

CAUTION: Do not install any parts of the track system less than 5 ft above the finished floor without prior approval of the Authority Having Jurisdiction (AHJ).

CAUTION: Do not install any fixtures closer than 6 inches from combustible materials.

CAUTION: Do not use the track system with a power supply cord or convenience receptacle adapter.

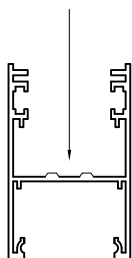
CAUTION: Do not install the track system with the track energized. Similarly, disconnect power to track when installing or removing components or changing the layout of the track.

CAUTION: Do not attempt to hang, drape over, or install anything other than lighting fixtures to the track system. To reduce the risk of fire or personal injury, do not attempt to connect power cords, extension cords, appliances, and the like to the track.

GENERAL NOTES:

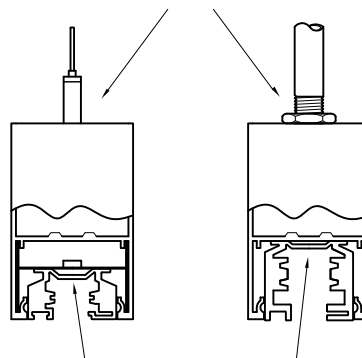
For large, complex layouts, it may be easier to hang the layout in sections.

Feeder circuits can be installed after the entire layout has been hung: $\varnothing 0.875$ " (standard 1/2" KO) holes can be drilled into the horizontal portion of the channel.



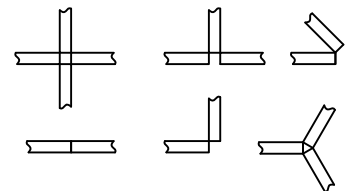
DEFINITIONS:

CHANNEL SUPPORT POINT: A point on the top side of the H-channel to which the supporting cable, stem or rod is to be attached. The other end of the supporting cable or stem is attached to the ceiling or some other structure mounted at some distance above the H-channel.



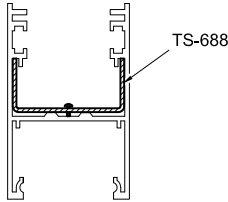
TRACK ATTACHMENT POINT: A point on the underside of the H-channel to which track is to be attached.

JOINT: A location in a layout where 2 or more discrete H-channel sections meet.



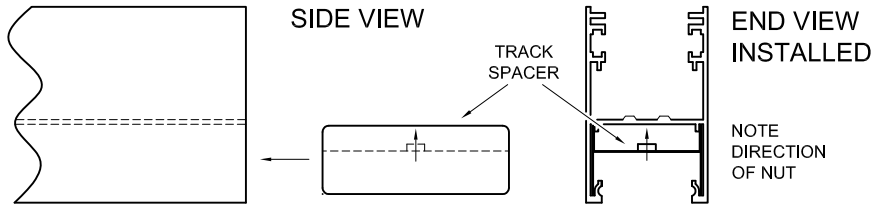
1) With a hack saw, band saw or chop saw, carefully cut the H-channel to the desired section lengths. Make certain that the cuts are clean, straight, and perpendicular to all sides. Use only saw blades that are designed to cut aluminum. Use TS-688 Mechanical Couplers to join 2 straight sections together as shown. Install coupler such that it equally spans both sections and tighten all 4 screws (provided).

END VIEW

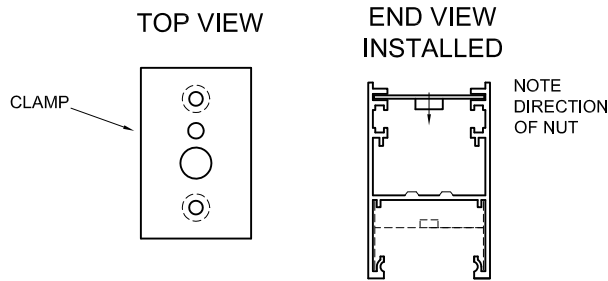


2) If single circuit track is to be mounted to the H-channel, insert 1 track spacer for each *track attachment point* into all channel sections. Make certain that the nut on the track spacer is facing up. Note: This step must be done before proceeding to the next step! If multiple circuit track is to be mounted into the H-channel, skip this step.

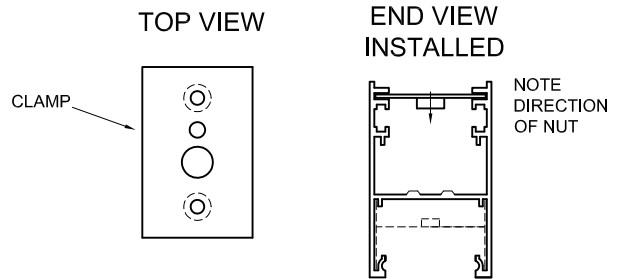
CAUTION: A single track section that is 4 feet or less in length must have 1 support spaced a maximum 6" from each end of the track. A single track section that is greater than 4 feet in length must have 1 support spaced a maximum of 12" from each end of the track section with additional supports provided a minimum of every 4 feet along the length of the track section.



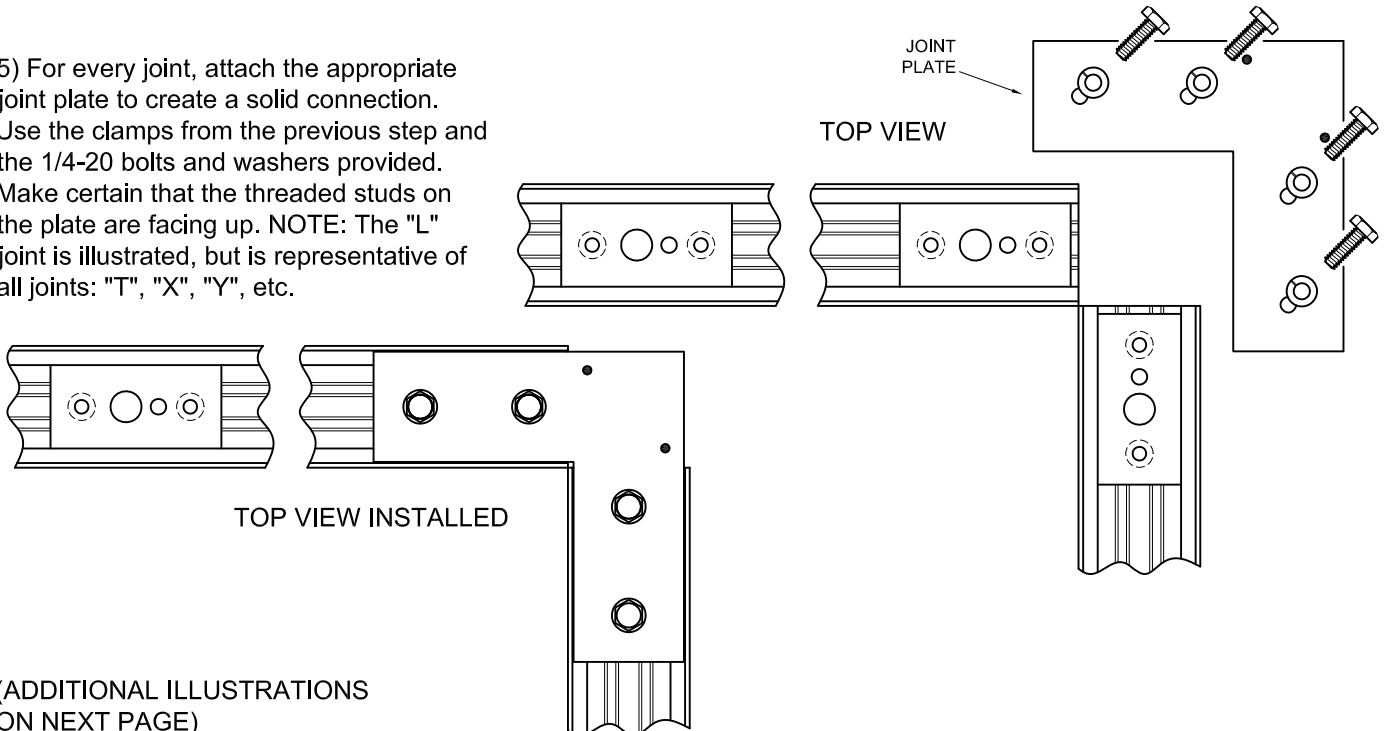
3) For every H-channel section, insert 1 clamp for each planned *channel support point*. Make certain that the nut on the clamp is facing down. NOTE: This step must be done before proceeding to the next step!



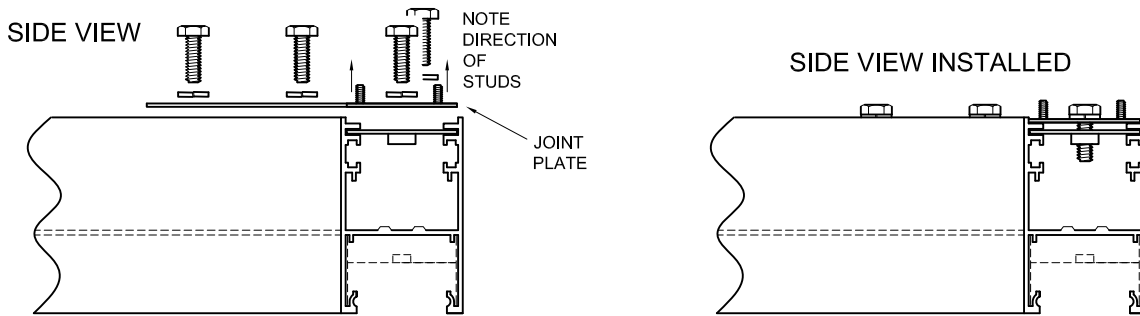
4) For every H-channel section, insert 1 clamp to each end (2 per section). Make certain that the nut on the clamp is facing down.



5) For every joint, attach the appropriate joint plate to create a solid connection. Use the clamps from the previous step and the 1/4-20 bolts and washers provided. Make certain that the threaded studs on the plate are facing up. NOTE: The "L" joint is illustrated, but is representative of all joints: "T", "X", "Y", etc.

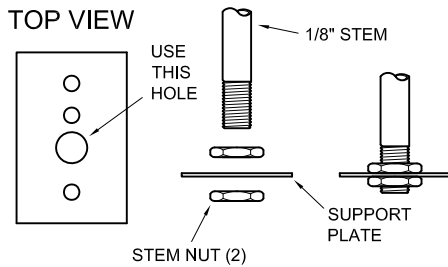


(ADDITIONAL ILLUSTRATIONS ON NEXT PAGE)



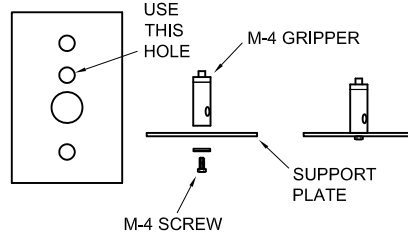
- 6) FOR 3/8" STEM HANGING:
Attach a support plate to each 3/8" stem.

SIDE VIEWS



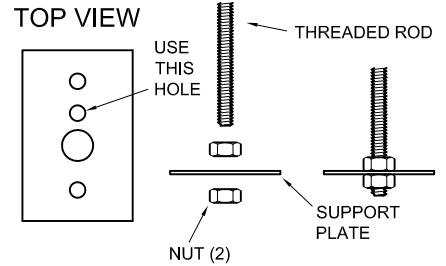
- FOR WIRE CABLE HANGING:
Attach an M-4 Gripper to each support plate using the M-4 screw & washer provided.

TOP VIEW SIDE VIEWS



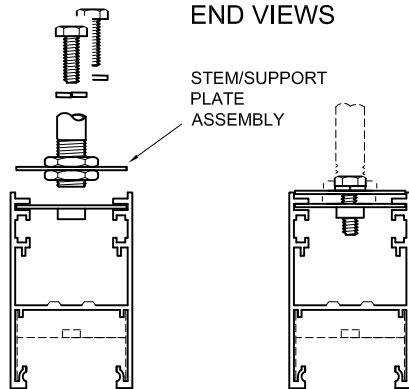
- FOR 1/4-20 OR 10-32
THREADED ROD HANGING:
Attach a support plate to each rod.

SIDE VIEWS

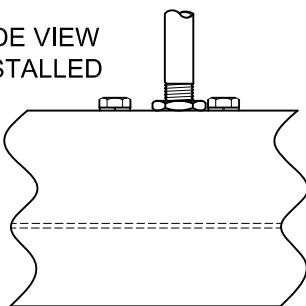


- 7) Attach each stem/support plate assembly to its corresponding clamp (installed earlier in step 3). Use the 1/4-20 bolts and washers provided.

END VIEWS

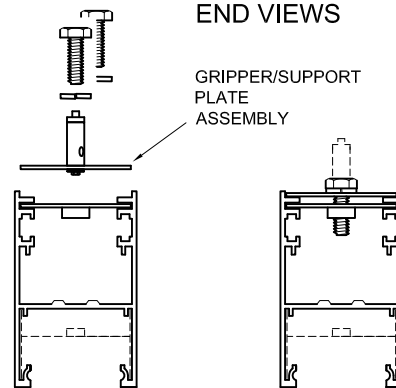


SIDE VIEW INSTALLED

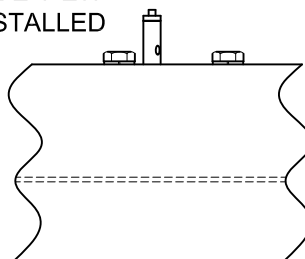


- Attach a gripper/support plate assembly to each clamp (installed earlier in step 3). Use the 1/4-20 bolts and washers provided. Then install grippers to wire cables. NOTE: In some cases it may be easier to install the wire cables to the grippers before attaching the plates.

END VIEWS

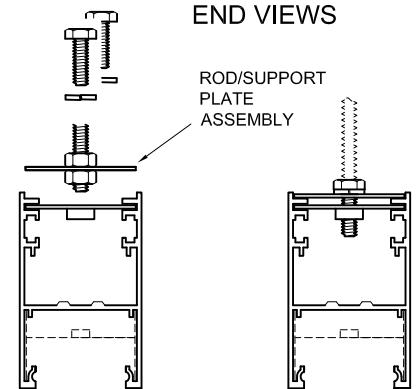


SIDE VIEW INSTALLED

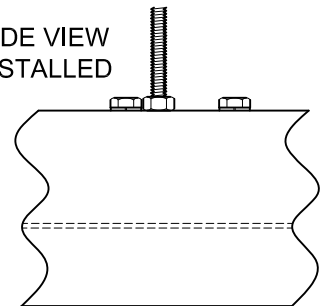


- Attach each rod/support plate assembly to its corresponding clamp (installed earlier in step 3). Use the 1/4-20 bolts and washers provided.

END VIEWS

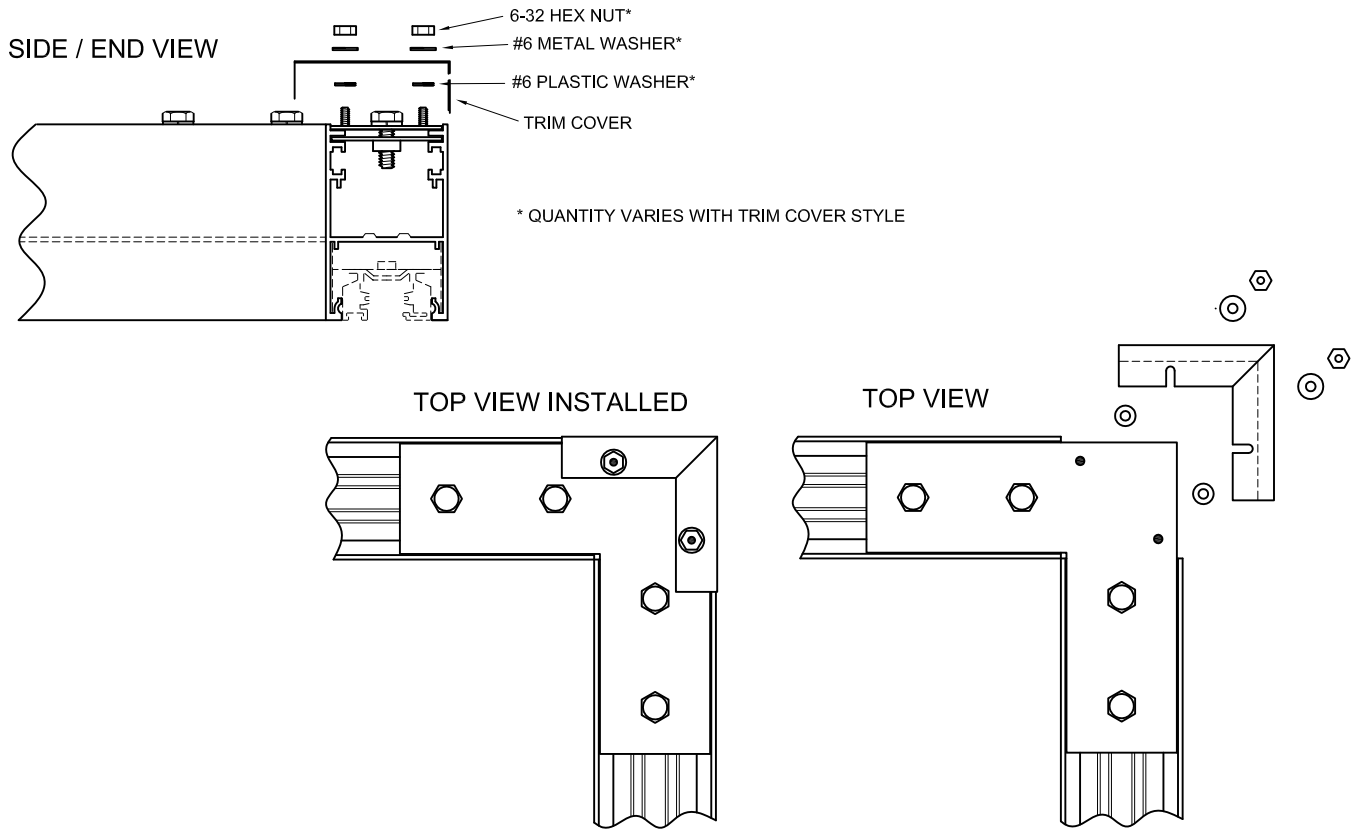


SIDE VIEW INSTALLED



8) Install the track after the H-channel is hung and leveled. For single circuit track use the track spacers (installed in Step 2) and 10-32x3/8" or 10-32x1/2" screws (not provided). For multiple circuit track, drill appropriately sized holes where required into track and H-channel. **WARNING:** Use #8 minimum sized screws (not provided).

9) After all track and feeder circuits have been installed, attach H-channel end caps and trim covers using hardware provided. The hex nuts should be snug, but do not overtighten. **NOTE:** The "L" joint is illustrated, but is representative of all joints requiring trim covers: "T", "45°L", etc. **NOTE:** In some cases it may be desirable to install the track *after* trim covers have been installed. Make certain that trim covers do not become damaged when installing the track and the feeder circuits.



3D VIEW OF FINISHED CORNER

