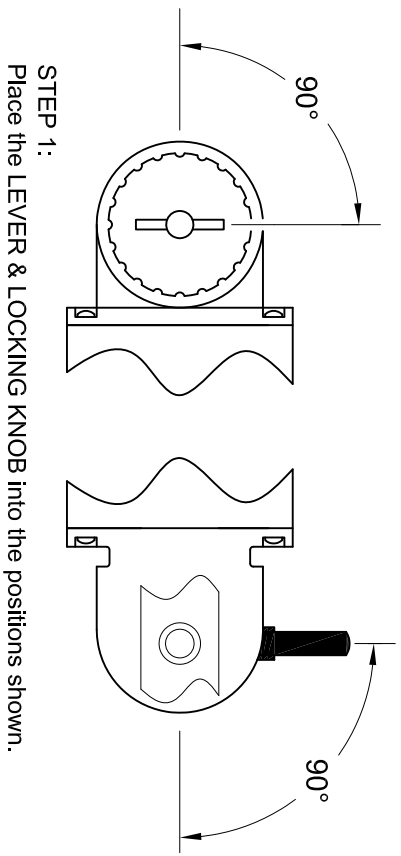
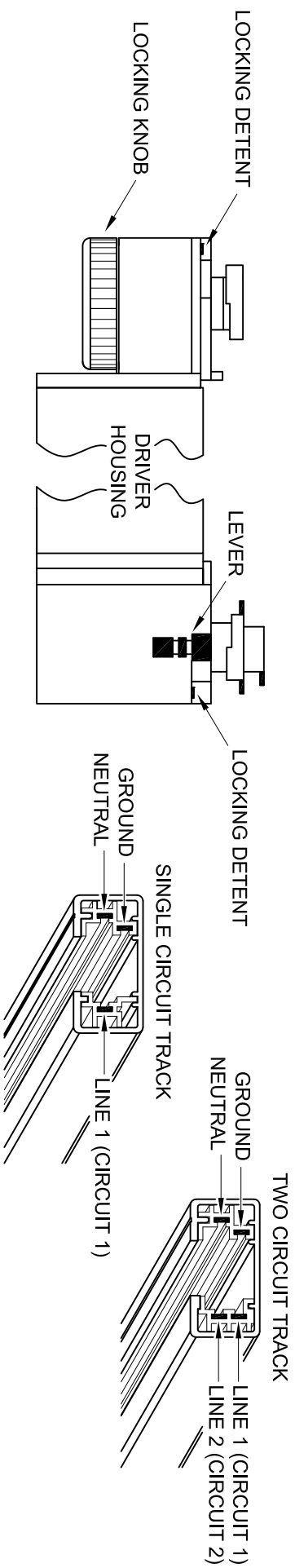
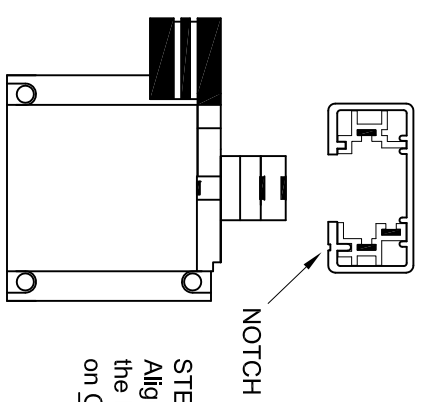


# N13

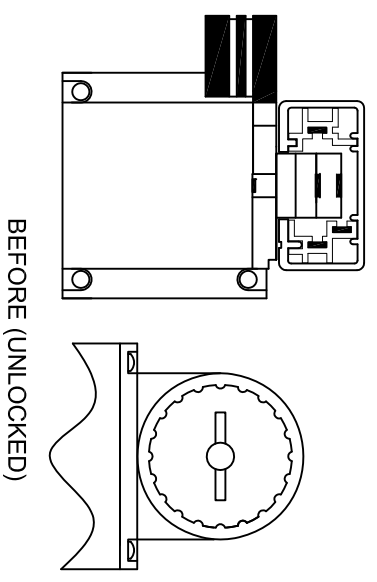
THESE INSTRUCTIONS ARE FOR THE PROPER INSTALLATION OF THE N13 TRACK ADAPTER.  
 NOTE: THIS ADAPTER WILL WORK ON SINGLE CIRCUIT TRACK, & ONLY CIRCUIT 1 OF TWO CIRCUIT TRACK.



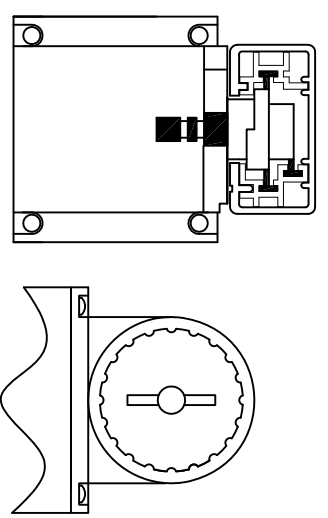
**STEP 1:**  
Place the LEVER & LOCKING KNOB into the positions shown.



**STEP 2:**  
Align the track adapter such that the LEVER and the NOTCH are on OPPOSITE SIDES.



BEFORE (UNLOCKED)



AFTER (LOCKED)

**STEP 3:**  
**WARNING!** The fixture must be manually held in place by the DRIVER HOUSING until this entire step is completed! Fully insert the track adapter into the track. Rotate the LOCKING KNOB counter-clockwise 90° until the KNOB "clicks" into its LOCKING DETENT. Next rotate the LEVER clockwise 90° until the LEVER "clicks" into its LOCKING DETENT. You may now release the fixture.