

**CTPY  
MAINTENANCE & OPERATING INSTRUCTIONS - SAVE THESE INSTRUCTIONS**

- CAUTION:** Read and understand these entire instructions before using this fixture.
- CAUTION:** Always wear protective eyewear and gloves when servicing this fixture for any reason.
- CAUTION:** Disconnect fixture from power supply before servicing fixture.
- CAUTION:** Allow fixture to sufficiently cool before servicing fixture.
- CAUTION:** Do not allow materials to come in contact with the LED.
- CAUTION:** This fixture is a source of intense heat and is not meant for residential use. There is a risk of fire or personal injury, therefore avoid contact by persons or materials when in use.
- CAUTION:** Always insure that handles and knobs are locked and secured to prevent accessories, pattern holders, or the like from falling out, and never add more than 1/2 pound to the front accessory holder.
- CAUTION:** Do not attempt to install anything other than Times Square Stage Lighting approved accessories to this fixture.
- CAUTION:** Do not block any vent holes/slots in this fixture, or use this fixture in any way other than that for which it was intended. Do not use in wet locations.
- CAUTION:** Periodically remove accumulated dust and debris from vent holes/slots. Make certain that the fan is rotating when the LED is energized.
- CAUTION:** Use only with a grounded power supply. Adhere to the voltage rating as indicated on the fixture label.

**SECTION 1 : MAINTENANCE (PLEASE REFER TO DIAGRAM #1 BELOW)**

**LED Module and/or Driver Installation / Replacement**

The LED Module and Driver are designed to last years before needing replacement. It is best to consult factory if the LED is not performing properly, or not working at all.

**Fan and Fan Power Supply Installation / Replacement**

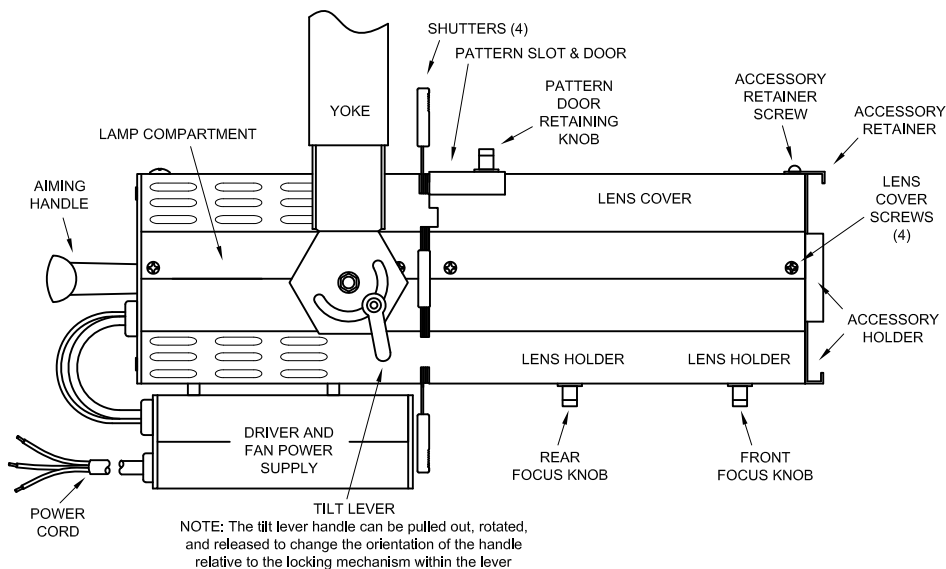
These parts are not user serviceable. Consult factory if the fan is not working properly.

**Lens Care**

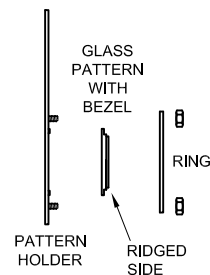
NOTE: Lenses should be cleaned from time to time as dirt and other contaminants will accumulate and adhere to the lens surfaces, thereby adversely affecting performance. Never use soap, glass cleaner or window cleaner as they can leave trace amounts of residue that can bond to the lens surface. Never use abrasive materials to clean lenses as they can scratch the surface and thereby adversely affect performance.

- 1) Remove the lens cover by removing the 4 screws along the sides, and set these items aside. This will give you access to the lenses.
- 2) The lenses do not need to be removed for cleaning. Clean lenses with a soft, clean lint free cloth soaked in denatured alcohol (methylated spirits), then wipe dry with a soft, clean lint free cloth. CAUTION: The lens rods are coated with high temperature grease. Do not get the grease on the lenses or they will need to be cleaned once again.
- 3) Reinstall cover and screws.

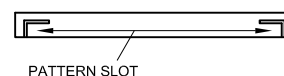
**DIAGRAM #1**



**DIAGRAM #2**



**DIAGRAM #3**



## **SECTION 2: OPERATION (PLEASE REFER TO THE DIAGRAMS ON PAGE 1)**

### **Yoke Length Adjustment** (only for units with length-adjustable yokes)

NOTE: The yoke is comprised of an outside frame and a right and a left inner sleeve.

- 1) With an Allen key, loosen the 4 hex screws on each side of the yoke frame (8 screws total) about 2-3 turns each.
- 2) Simultaneously slide the 2 inner sleeves (with the fixture attached) to the desired height and tighten the 8 set screws.

WARNING: Do not remove or loosen the Phillips head screws adjacent to the hex screws.

### **Lens Focusing**

NOTE: It is recommended that any patterns be removed and the 4 shutters be pulled outward, extended away from the fixture body before proceeding. Make certain that the pattern slot door is fully closed and secured. When aiming an energized fixture, always use caution as the fixture can become very hot in a very short time.

- 1) Loosen the tilt levers, aim the fixture, and then retighten tilt levers.
- 2) Loosen the front and rear focus knobs until the lenses move freely. While observing the projected beam, adjust the front lens until the desired beam size has been attained. NOTE: Beam size is a function of distance, the further away the fixture is from the target, the larger the beam will be.
- 3) Tighten the front lens knob until snug (do not overtighten this knob).
- 4) Move the rear lens to a position that achieves the desired look of the beam's edge, whether it be sharp & clean or soft & fuzzy.
- 5) Tighten the rear lens knob until snug (do not overtighten this knob). Repeat step 1 if necessary.

### **LED Module Alignment**

The LED Module is pre aligned at the factory and needs no adjustment.

### **Adjusting the Shutters**

- 1) Simply push the four shutter handles inward and rotate them to a position that frames or cuts off the light beam as desired.
- 2) Repeat the Lens Focusing procedure (above) to fine tune the look of the beam edge on the projected shutter edges, whether it be sharp & clean or soft & fuzzy.

### **Installing Patterns Into the Pattern Holder**

- 1) Remove the 2 screws holding the ring onto the pattern holder and set the screws and ring aside.
- 2) Place and center the pattern over the pattern holder window using the 4 small protrusions as a guide. NOTE: Keep in mind that the lenses will reverse and flip the pattern's projected image. CAUTION: For the installation of glass patterns, please refer to DIAGRAM #2 on Page 1.
- 3) Replace ring and secure with the 2 nuts.

### **Pattern Holder Installation and Adjustments**

Please refer to DIAGRAM #3 on Page 1.

- 1) Loosen the knob that retains the pattern slot door and slide open the door to fully expose the pattern slot.
- 2) Install the pattern holder with pattern installed fully into the slot. CAUTION: The two nuts on the pattern holder must be facing toward the front of the fixture.
- 3) Close the door as far as it will go and tighten the retaining knob.
- 4) Repeat the Lens Focusing procedure (above) to fine tune the look of the beam edge on the projected pattern.

NOTE: It is recommended that the pattern slot door be fully closed and its retaining knob tightened when a pattern is not in use.

### **Safety Cable Installation**

Install the safety cable such that the cable threads through the yoke and around the pipe to which the fixture is attached. The cable should then be latched to itself forming a complete loop, encircling the pipe and the yoke.

### **C-clamp Installation**

Use a C-clamp to attach the fixture to a pipe, making sure that the C-clamp is sized correctly for the pipe to be used. The C-clamp attaches to the yoke via the 1/2" mounting hole located in the center of the yoke. Make sure that any washers are located between the C-clamp bolt head and the yoke. This same hole can be used to mount the fixture to a side arm, table base, or stand.

### **Installing Accessories Into the Accessory Holder**

NOTE: The accessory holder is located on the fixture front and will accept color frames, filters, etc.

- 1) Remove the accessory retainer screw and retainer and set them aside.
- 2) Install accessories such that the left, right and lower tab fully capture the accessories installed.
- 3) Reinstall retainer and accessory retainer screw such that the lip of the retainer is fully extended beyond the fixture front and completely overlaps the accessories, securely holding them in place. Make certain that the tilt lever is firmly and completely tightened before adding accessories to the front of this fixture.

CAUTION: Do not add more than 1/2 pound to the front of this fixture.