

FCT INSTALLATION INSTRUCTIONS - SAVE THESE INSTRUCTIONS

CAUTION: Read and understand these entire instructions before proceeding.

WARNING: All electrical installations must be done according to local codes or the National Electric Code (NEC), whichever applies.

WARNING: RISK OF FIRE! MOST DWELLINGS BUILT BEFORE 1985 HAVE SUPPLY WIRE RATED FOR 60°C! Some fixtures require supply wires rated for more than 60°C. Wiring must be rated for 90°C for safe installation of this fixture.

WARNING: Installation must be performed by qualified personnel only!

WARNING: Do not install in wet locations.

WARNING: Disconnect power BEFORE installing or servicing the fixture.

WARNING: Do NOT exceed the maximum wattage rating, if applicable, or voltage rating as indicated on the fixture label.

WARNING: DO NOT connect this fixture to an electrical system that does not provide a means for equipment grounding.

NOTE: This fixture can be used with ceilings of any type, including hung ceilings.

WARNING: This fixture is NOT Chicago Plenum Rated unless Labeled as such.

WARNING: This fixture is NOT IC (Insulation Contact) Rated unless Labeled as such. Do NOT install within 3" of any insulation material on the fixture sides or top, unless the fixture is Labeled as IC Rated.

CAUTION: Do not install this fixture on a circuit containing a dimmer. Damage to the luminaire may result.

Note for DMX/RDM cabled units: Make certain that the data cable wiring for the fixtures is in accordance with DMX512-A specifications.

Note for DMX/RDM cabled units: Data cable run wiring should be limited to no more than 1000 ft. (approx. 300 meters) in length and connected in a "daisy-chain" fashion. The end of the run must be terminated with a 120 ohm resistor.

Note for DMX/RDM cabled units: 32 fixtures (20 when using RDM - FCT fixtures use RDM) maximum may be placed on a single data cable run. Use splitters if more data runs are required.

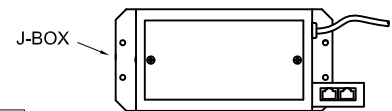
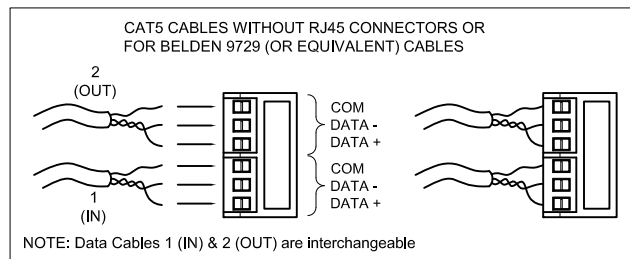
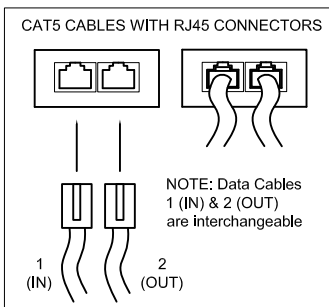
FIXTURE INSTALLATION:

NOTE: Make certain that you have at least 5-1/2" clearance above where the fixture is intended to be installed, and that power and control cables are accessible from that intended location inside the ceiling. Also, make certain that the ceiling thickness is no more than 1".

- 1) Cut a hole in the ceiling 4-3/8" to 4-7/16" diameter.
- 2) Pull the control and power cables down through the hole.
- 3) Remove the J-box cover and make all line-voltage connections within. Three 1/2" KO's are provided for service entrance/exit. Refer to the list below for wire identification. The fixture is rated for daisy-chaining electrical connections. Replace cover after all electrical connections are made.

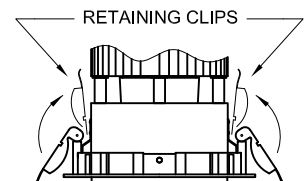
BLACK (or BROWN) to HOT, WHITE (or BLUE) to NEUTRAL, GREEN to GROUND

- 4) Connect data lines to the provided RJ45 or Terminal Block connectors:



RJ-45 ETHERNET pinout:
 Pin 1: Data 1+ (orange/white)
 Pin 2: Data 1- (orange)
 Pin 3: Data 2+ (green/white)
 Pin 6: Data 2- (green)
 Pin 7: Data 1 Common (brown/white)
 Pin 8: Data 2 Common (brown)
 All other pins not used.

- 5) Carefully insert the J-box (with the fixture attached) up and into the hole.
- 6) Flip the 2 spring-loaded retaining clips up 180° and carefully insert the fixture up and into the hole. The 2 retaining clips will self-release and clamp the fixture firmly within the ceiling (see diagram, right).



REMOVING THE FIXTURE FOR SERVICING (see diagram, right):

- 1) Rotate the lens holder counter-clockwise until it falls free from the fixture (it is tethered to the fixture internally so that it will only drop about 6").
- 2) Grasping the inside of the trim ring at opposite sides, gently pull the fixture straight down.
- 3) To reinstall, reinsert the lens holder and see Step 6 above.

