

T6150H

150W T6



The T6150H is a long throw 150-watt T6 metal halide fixture that is ideal for atriums, malls, and exhibit spaces. Interchangeable reflectors are available in both spot and flood beam spreads, as well as an accessory cartridge capable of holding at least 3 accessories. The T6150H is constructed of heavy duty spun steel and an aluminum extruded ballast housing and yoke mount. Fixture finishes are standard black, white and silver. Custom finishes are available upon request.

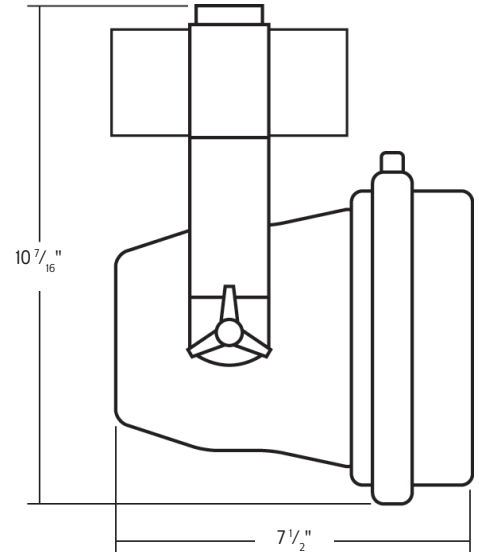
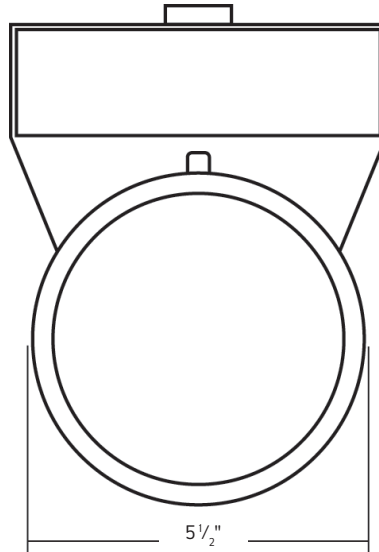
5 Holt Drive,
Stony Point, NY 10980
845-947-3034
info@tslight.com

Manufactured in the USA - IBEW

PRODUCT LISTED
BY A NATIONALLY
RECOGNIZED
TESTING
LABORATORY

Features

- Energy efficient ceramic metal halide lamp
- 120 or 277 volt available
- Internal or wrench lock focus
- Accessory cartridge
- 17° Spot and 36° flood reflector
- Glass safety shield
- Numerous mounting options



Lamp Types

CDM150/T6/830

150W Clear; 12000Hrs; 14000 Lumens; 81 CRI; 3000°K Color Temp

CDM150/T6/942

150W Clear; 12000Hrs; 12700 Lumens; 96 CRI; 4200°K Color Temp

Reflector

SP 17° Spot
FL 36° Flood

Light Blocking Screens

Stainless steel screens used singly or in combinations to block transmitted light without changing color temperature.

LBS8-20 20% Light Blocking
LBS8-30 30% Light Blocking
LBS8-40 40% Light Blocking

Ordering Matrix

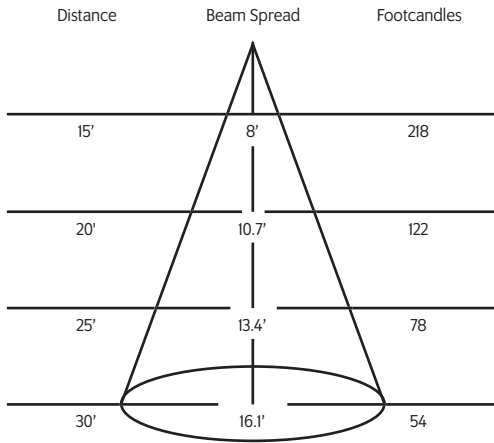
Model	Finish	Reflector	Mounting (Optional)	Accessories (Optional)
T6150H	B = Black W = White S = Silver CC = Custom Color	SP = 17° Spot FL = 36° Flood	See Mounting Options	See Accessory Options

Example: T6150H-B-SP-T1-LV7

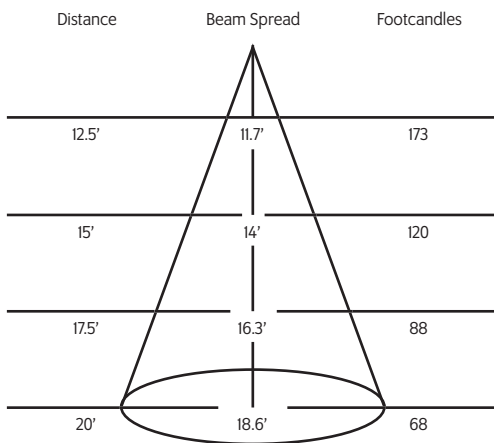
T6150H- _____ - _____ - _____ - _____

Photometric Data

CDMI50/T6/830 Spot Reflector



CDMI50/T6/830 Flood Reflector



Mounting Options

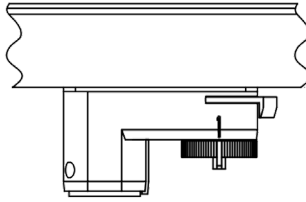
T1 Track adapter for commercial grade 1 & 2 circuit track. 120V. For use with larger, heavier fixtures.

TA2 / HTA2 (277) Track adapter for G-Series specification grade 2-circuit track. 120V or 277V.

TA3 Track adapter for G-Series specification grade 3-circuit track. 120V.

TA1 / TE2 (2 circuit) Track adapter for E-Series specification grade track. 1 or 2 circuit. 120V.

ST2 2 circuit track adapter for Data Bus. Specification grade track. 120V.



CM4 Canopy mount.



US1 6 5/8" x 1 1/2" Unistrut adapter.



TB8 8" x 8" Portable table base for floor or table use.



MC Light duty pipe clamp for small fixtures. For pipes up to 1 5/16" O.D.

MN Medium duty pipe clamp for small to large fixtures. For pipes up to 2" O.D.

PC9M Heavy duty pipe clamp for large, heavy fixtures. For pipes up to 2" O.D.



Accessories

380AH

Internal Accessory Holder

LV7

Louwer

XL7

Cross Baffle Louwer

BD7A

Barndoor

HD7

Hood

XH7

Cross Baffle Hood

SH7

Sparkle Hood

GF8

Glass Color Filter

DF8

Dichroic Color Filter

GF8-600

5°x50° Linear Lens

GF8-601

Beam Softener

GF8-673

50°x50° Spread Lens

CC18

UV Blocking Filter

CC18

Coiled Cord

SC-24

Safety Cable

WL

Wrench Locking

Finish

B

Black

W

White

S

Silver

CC

Custom Color

