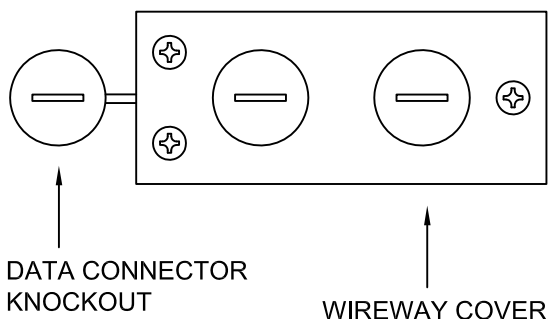


**Instructions for connecting data wires to DMX/RDM Recessed Fixtures -
SAVE THESE INSTRUCTIONS**

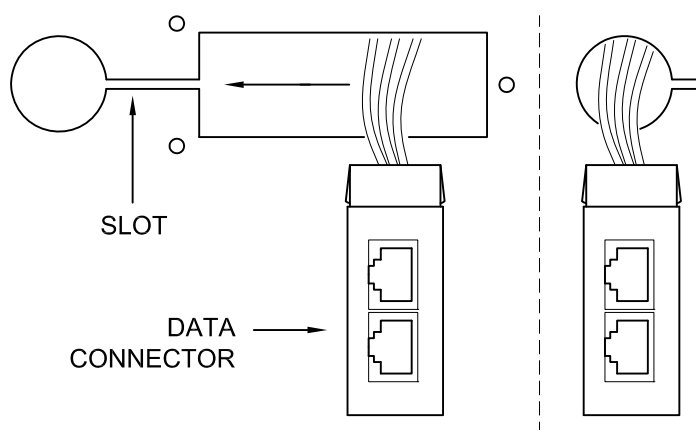
Notes regarding externally controlled fixtures: Make certain that the control wiring for the fixtures is in accordance with DMX512-A specifications. Control wiring should be limited to no more than 1000 ft. (approx. 300 meters) in length and connected in a "daisy-chain" fashion. 20 *LED CT Modules* maximum may be placed on a single run. The last fixture and ONLY the last fixture must have a 120 ohm terminating resistance applied to the control signal. Splitters must be used if more than 20 *LED CT Modules* are to be connected to the same DMX signal. It may be beneficial to use specialists, ie, DMX Integrators when designing complex layouts.

RJ-45 ETHERNET pinout:
Pin 1: Data 1+ (orange/white)
Pin 2: Data 1- (orange)
Pin 3: Data 2+ (green/white)
Pin 6: Data 2- (green)
Pin 7: Data 1 Common (brown/white)
Pin 8: Data 2 Common (brown)
All other pins not used.

1) Remove the data connector knockout.

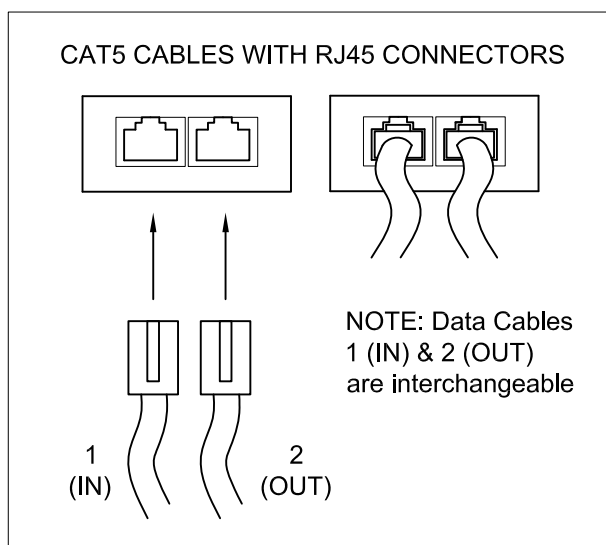
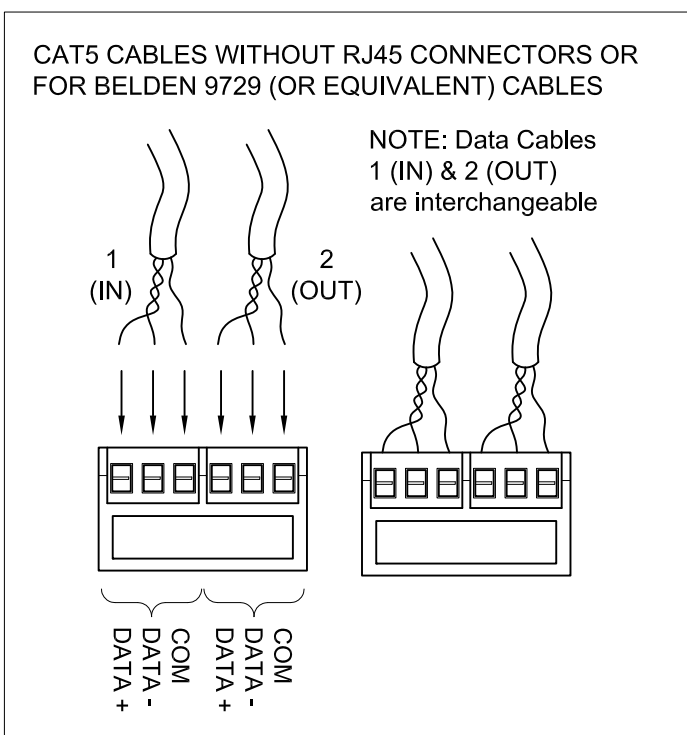


2) Remove the wireway cover and carefully slip the data connector wires through the slot and into the data connector knockout.



3) Gently insert data connector into knockout.

4) Make data connections as shown below, left or right.



NOTE: The data connector and its connections can be accessed from inside the fixture after the fixture has been installed. Refer to the section titled "SERVICING" in the LINEAR DOWNLIGHT INSTALLATION INSTRUCTIONS that came with the fixture.