

CTPY Series



5 Holt Drive,
Stony Point, NY 10980
845-947-3034
info@tslight.com

Color Tuning

The CTP Series features tunable color and a high CRI output. It can be controlled via DMX/RDM, Lutron Ecosystem, Bluetooth, or even 010V controls. They feature tunable white from 1650K-8000K with a CRI of 90+ across the entire temperature range. Rich blues, ambers, reds, violets and greens can be added in gradients or can completely saturate the output of the light. Zoomable lenses allow beam angles between 18° and 40°. This fixture is perfect for retail applications such as car dealerships and clothing stores but is equally well suited for illuminating artwork or using in an archtainment setting.

Control

- Protocol: DMX/RDM, Lutron Ecosystem, 010V or Bluetooth
- 4 DMX Channels
- Input: RJ45, WAGO Connectors or STA2 Track Adapter for use with Control Track
- Output: RJ45, WAGO Connectors or STA2 Track Adapter for use with Control Track.
- Color Preset can be saved.

Power

- Voltage: 120-277V, 50/60 Hertz (120V Only with Control Track)
- Power Consumption: 60W
- Max. Operating Temp.: 104°F (40°C) ambient

Optics

- 18° - 40° Zoom Lens System

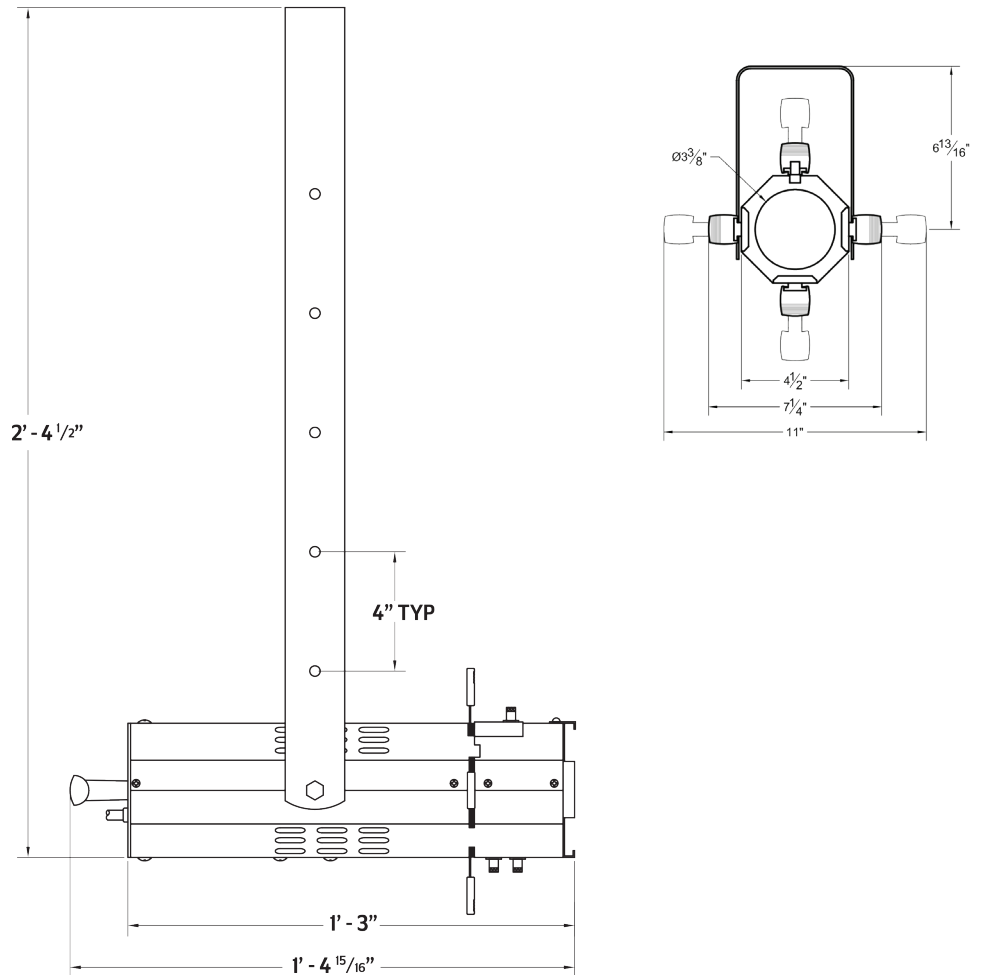
Physical 18° - 40° Zoom Lens System

- Weight: 10 lbs.
- 24" Locking Adjustable Yoke
- Locking Shutter Stack

Key Features

- 5000 Lumens
- Tunable range: 1650 - 8000K
- 90+ CRI
- Dimmable from 100 - 1% at constant CCT
- Color gamut control: gradients of saturated colors from 1 - 100% can be added to color points
- On board thermal and optical feedback for color consistency and <2 MacAdam ellipse over 50,000 hour life
- Compatible with 0 - 10V wired controls
- On-board Bluetooth Low Energy (BLE) included in every fixture
- SceneSet enables up to five scenes to be preprogrammed and recalled using a 0 - 10V recommended dimmer or via Bluetooth

* Consult Factory for Details



Ordering Matrix

Model	Array	Finish	Mounting	Dimming
CTPY	50	B - Black W - White S - Silver CC - Custom Color	See Mounting Options	DX = DMX/RDM ECO = Lutron Ecosystem BL = Bluetooth 010 = 010V Dimming

Example: CTPY-50-B-CM4-DX

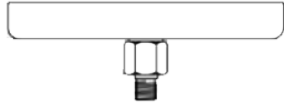
CTPY- _____ - _____ - _____ - _____

* Specification sheets are subject to change without notice.

Mounting Options

STA

2 circuit track adapter for Data Bus. Specification grade track. 120V.



CM4

Canopy mount.

USI

6 5/8" x 11/2" Unistrut adapter.



TB8

8" x 8" Portable table base for floor or table use.

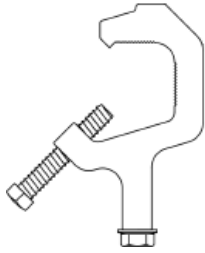


MN

Medium duty pipe clamp for small to large fixtures. For pipes up to 2" O.D.

PC9M

Heavy duty pipe clamp for large, heavy fixtures. For pipes up to 2" O.D.



Accessories

CF18

Color Frame

SN18

Snoot/Hood

SN18L

Locking Hood

PH18

Pattern Holder Steel

GH18

Pattern Holder Glass

PD18

Pattern Donut

SPE

Stock Pattern Steel

CPE

Custom Pattern Steel

GPE

Custom Pattern Glass

DF6

Dichroic Color Filter

CC18

Coiled Cord

Extension Wands

SP 12

12" Stem

SP 18

18" Stem

SP 24

24" Stem

SP X

Custom Length