



Manufactured in the USA - IBEW



LED10P

9-Watt LED Projector



5 Holt Drive,
Stony Point, NY 10980
845-947-3034
www.tslight.com

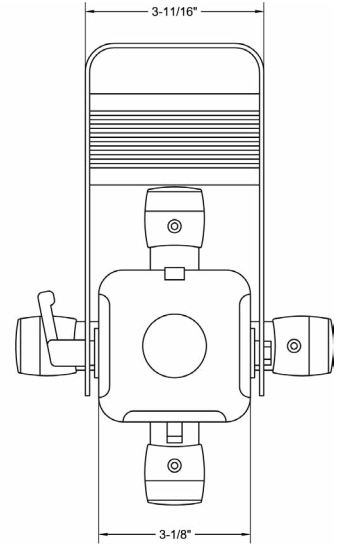
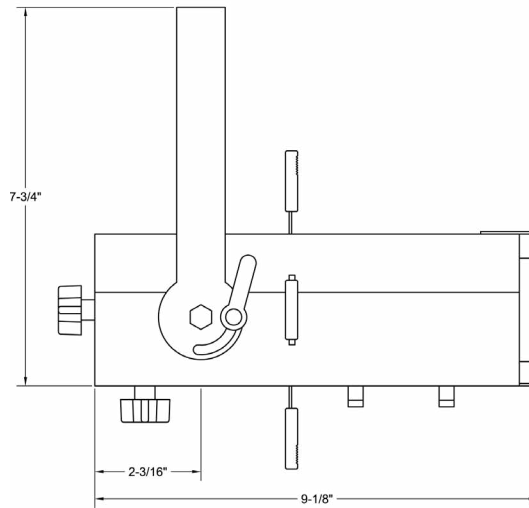
The LED10P is a compact pattern projector that produces intense, sharp or soft edged beams of light. Utilizing an energy efficient LED source, this unit features a unique zoom focusing system that creates various spreads within the same fixture housing. Built-in pattern slots make this unit capable of projecting stock and custom, steel or glass patterns. Available in black, white and silver finishes. Custom colors available by request and at an additional charge.

Features

- Long-life LED source (80 or 95 CRI)
- 120, 220 and 277-volt available
- 4-way adjustable framing shutters
- Zoom lens system
- Built-in pattern slot
- Fully dimmable
- Stock or custom, glass or steel patterns
- Numerous mounting options and accessories
- Beam: 25°
- Field: 42°
- CBCP: 3440
- Lumens: 590 (66 lm/W)
- Weight: 3.6 lbs

LED Emitter Options

| | |
|---------------|-------------------|
| 80 CRI | 3000°K, 590 Lumen |
| 95 CRI | 3000°K, 490 Lumen |



Pattern Rotator

5300 Mini Spin (Variable Speed Pattern Rotator)



Ordering Matrix

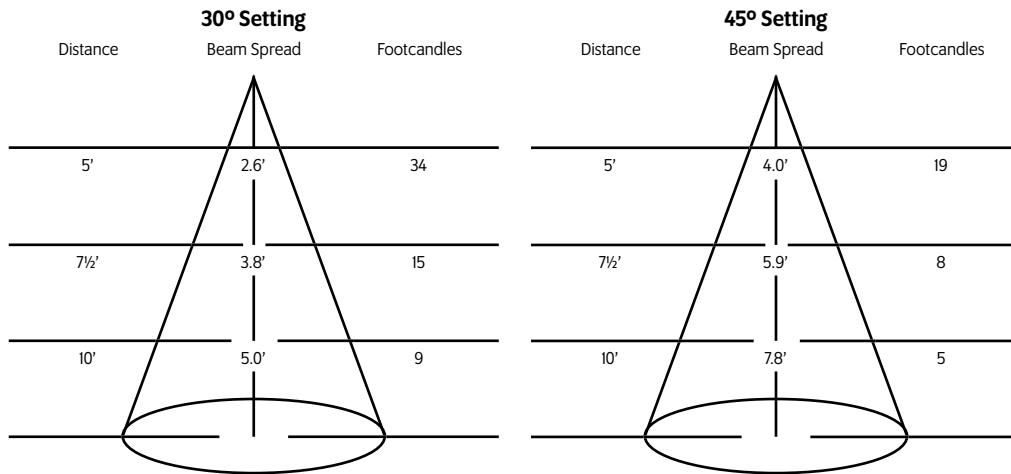
| Model | Finish | CRI | Mounting | Accessories |
|--------|---|----------|----------------------|-----------------------|
| LED10P | B = Black W = White S = Silver CC = Custom Color | 80 95 | See Mounting Options | See Accessory Options |

Example: LED10P-B-80-MN-PHE

LED10P - _____ - _____ - _____ - _____

* Specification sheets are subject to change without notice.

Photometric Data



Accessories

| | |
|----------------|--------------------------------------|
| PHE | Steel Pattern Holder |
| PDE | Pattern Donut |
| HD4 | Hood/Snoot |
| SPE | Stock Pattern Steel |
| CPE | Custom Pattern Steel |
| GPE | Custom Pattern Glass Black and White |
| GPE2 | Custom Pattern Glass 2-Color |
| GPE4 | Custom Pattern Glass 4-Color |
| CF4 | Color Frame |
| GH6 | Glass Pattern Holder |
| GF4 | Glass Color Filter |
| DF4 | Dichroic Color Filter |
| GF4-702 | UV Blocking Filter |
| CC18 | Coiled Cord |
| 2I | Iris |

Patterns

For standard and custom patterns please see the pattern specification sheet.



[Click here to download pattern datasheet.](#)

Slingshot



The Slingshot allows you to cast the output of a Times Square Lighting ellipsoidal at a right angle. This allows flexibility in situations when the fixture is mounted horizontally but the desired aiming angle is vertical (or vice versa).

- **LENGTH:** 6-3/4"
- **WIDTH:** 4"
- **DEPTH:** 4"
- **RANGE OF MOTION:** 0° to 44°

| MODEL | COLOR |
|-------|-----------------|
| SLMB | Black Slingshot |
| SLMW | White Slingshot |

Mounting Options

ADI

Track Adapter for commercial grade 1 & 2 circuit track. 120V. For use with lightweight fixtures.

TI

Track Adapter for commercial grade 1 & 2 circuit track. 120V. For use with larger, heavier fixtures.

TA1 / TE2 (2 ckt)

Track adapter for E-Series specification grade track. 1 or 2 circuit. 120V.

TA2 / HTA2 (277V)

Track adapter for G-Series specification grade 2-circuit track. 120V or 277V.

ST2

2 circuit track adapter for Data Bus. Specification grade track. 120V.

TA3

Track adapter for G-Series specification grade 3-circuit track. 120V.

CM4

Canopy Mount

US1 6½" x 1½"

Unitrut Adapter

TB4 6¼"

Portable wall mount/table base for floor, wall, and table use

TB8 8" x 8"

Portable table base for floor and table use

MC

Light duty pipe clamp for small fixtures. For pipes up to 1 5/16" O.D.

MN

Medium duty pipe clamp for small to large fixtures. For pipes up to 2" O.D.

PC9M

Heavy duty pipe clamp for large, heavy fixtures. For pipes up to 2" O.D.

Finish

| | |
|-----------|--------------|
| B | Black |
| W | White |
| S | Silver |
| CC | Custom Color |

Extension Wands

| | |
|--------------|---------------|
| SP 12 | 12" Stem |
| SP 18 | 18" Stem |
| SP 24 | 24" Stem |
| SP X | Custom Length |

* For notes on dimming, please [click here](#).