



CYP Series

9.8W Round Pendant LED



5 Holt Drive,
Stony Point, NY 10980
845-947-3034
info@tslight.com

The CYP Series 4" pendant is ideal for retail and commercial lighting applications. Simply specify the electrical drop of the fixture, or surface mount directly to a j-box. Made of extruded aluminum and finished with white or black powder coat paint finish. Custom finishes are available upon request.

Manufactured in the USA - IBEW

PRODUCT LISTED
BY A NATIONALLY
RECOGNIZED
TESTING
LABORATORY



Construction

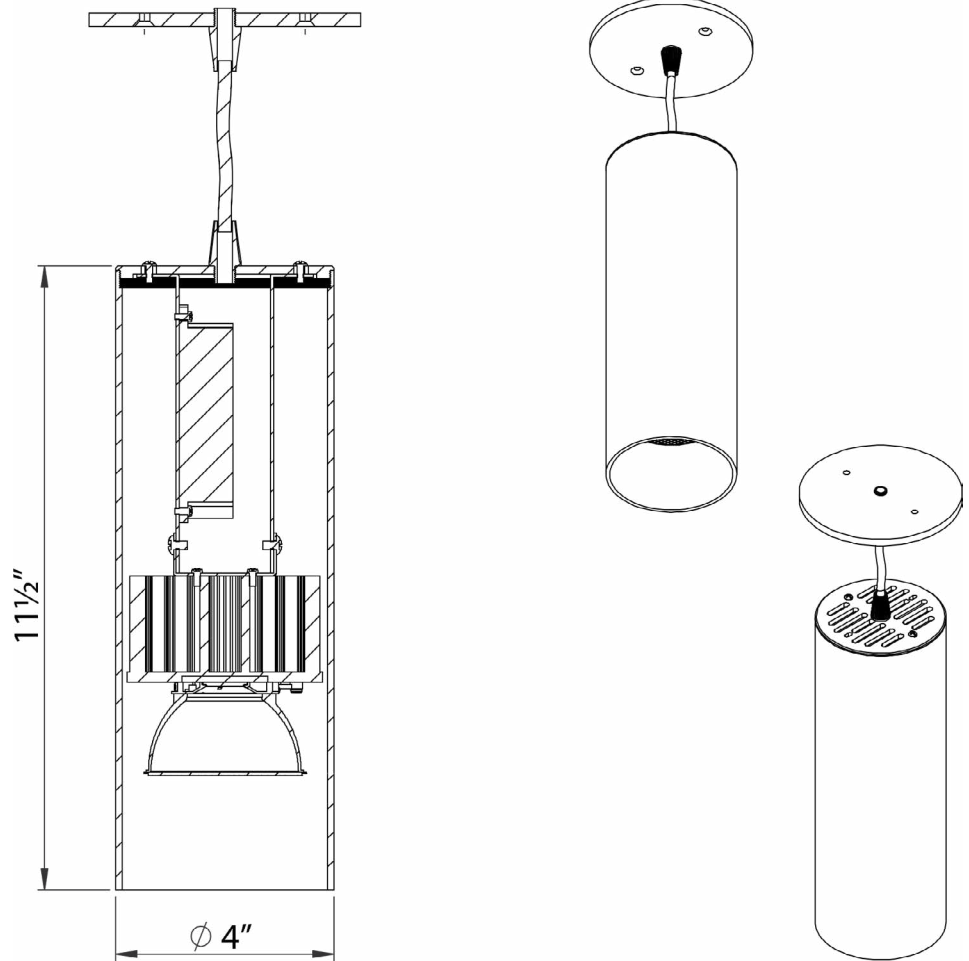
- Extruded aluminum housing with black, white or silver finish
- 48" Cable as standard
- Weight: 6 lbs.

Dimming

- Trailing edge (ELV): 120V only
- Leading edge (Triac): 120V only
- 010V: 120V or 277V

Optics

- 20°, 40°, 48°, 64° Twist-In reflectors available



LED

- 9.8-Watt, 1699 Lumen LED module
- Color temp: 2700K, 3000K, 3500K, or 4000K
- CRI: 80 or 92
- 50,000 Hour LED source life

Ordering Matrix

Model	CRI	Color Temp	Finish	Voltage	Optics	Mounting	Dimming*	Cable/Stem Length
CYP	80 92	27 = 2700K	B = Black	100	20 = 20°	See Mounting Options	TE = Trailing Edge LE = Leading Edge 010 = 0-10V ND = Non-Dimming	C24 = 24" Cable C48 = 48" Cable C72 = 72" Cable C96 = 96" Cable SP12 = 12" Stem SP18 = 18" Stem SP24 = 24" Stem SPX = Custom Stem
		30 = 3000K	W = White	120	40 = 40°			
		35 = 3500K	S = Silver	240	48 = 48°			
		40 = 4000K	CC = Custom Color	277	64 = 64°			

* Specification sheets are subject to change without notice.

Maximum ambient temperature: 35°C

* See "Notes on Dimming" on reverse

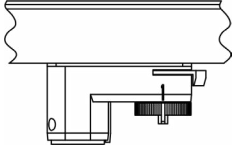
Mounting Options

T1 Track Adapter for commercial grade 1 & 2 circuit track. 120V. For use with larger, heavier fixtures.

TA1 Track adapter for E-Series specification grade track. 1 circuit. 120V.

TA2 Track adapter for G-Series specification grade 2-circuit track. 120V or 277V.

TA3 Track adapter for G-Series specification grade 3-circuit track. 120V.



CM4 Canopy Mount

