



Manufactured in the USA - IBEW



Construction

- Extruded aluminium with black, white or silver finish.
- Multiple mounting options
- Internal multiple accessory holder
- Weight: 15 lbs.

Electrical

- Integral electronic driver
- Meets FCC 47 CFR Part 15/18 Requirements
- 60 Watts
- Power Input: Universal (120-277V)

Maximum ambient temperature: 40°C
Maximum operating angle: 45° from vertical



COLORMIX

*Specification sheets are subject to change without notice.

CELESTE

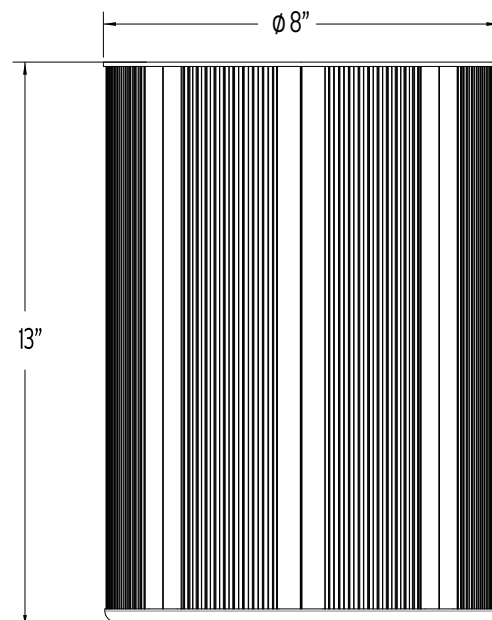
GEN 2 COLOR MIX 60W LED



5 Holt Drive,
Stony Point, NY 10980
845-947-3034
www.tslight.com

The Celeste Color Mix features tunable color and a high CRI output. Mosaic Gen2 are fixtures with theatrical outputs in an architectural package. Rich hues of red, green, blue and amber can be used to paint your environment. Mosaic Gen2 also features a high CRI variable white output between 1650K-8000K. Multiple control options are available, ranging from DMX to 0-10V control.

Improvements over the first generation Mosaic fixtures include an enhanced green output and hybrid dimming control.



Module	Total Wattage	Lumen Package	Efficacy (Lm/W)	CRI
CM	60	5000	84	80+ to 90+

GEN 2 Enhanced Green Personality Options

- Dynamic Dimming: 1-Channel Profile, Dims 3200K - 1650K
- Intensity, CCT, Saturation, and Hue. 4-Channel DMX Personality.
- RGBW 4-Channel Profile Standard
- RGBW Profile with selectable fixed white color temperature. Can be set to 2700K, 4000K, or 6500K.

GEN 2 Hybrid Dimming

- 0.1% dimming utilizing a combination of current control and pulse width modulation for flicker-free dimming.
- Compatible with high-speed cameras

Ordering Matrix

Model	LED Array	Finish	Optics	Mounting	Dimming*	Accessories
CEL60	CT = Color Tune	B = Black W = White S = Silver Z = Bronze V = Silver Vein C = Custom Color	12=12° 19=19° 33=33° 40=40° 48=48° 55=55° 64=64°	See Mounting Options	D/0 = 0-10V Dim to Off DX3 = * √ DX5 = * √ DXT = * DXE = * DXTC = * † √ ECO = Lutron Ecosystem	See Accessory Options

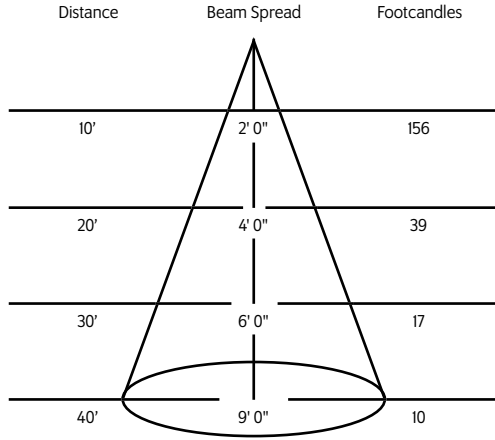
*See "Notes on Dimming" hyperlink on Page 3. † PM option only
√ Not compatible with Surface Mount

Example: CEL60-CM-B-12-PM24-DX5

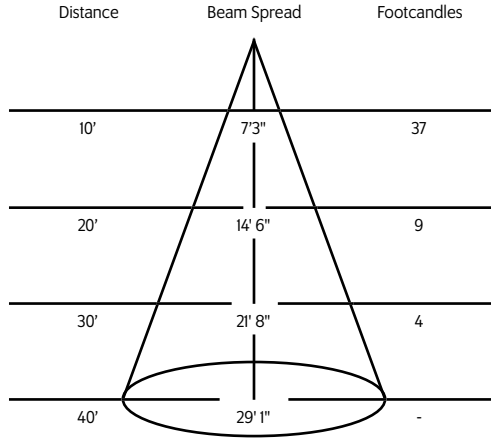
CEL60 - _____ - _____ - _____ - _____ - _____

Photometric Data

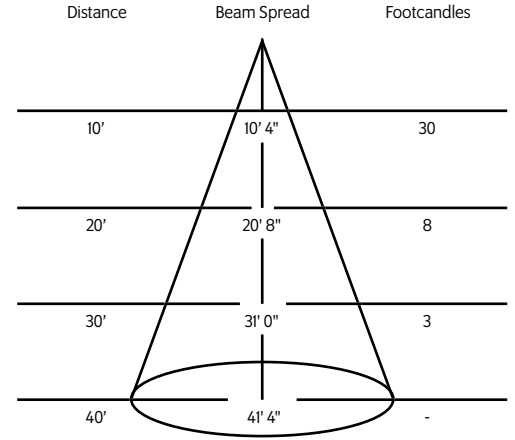
12° Spot Reflector



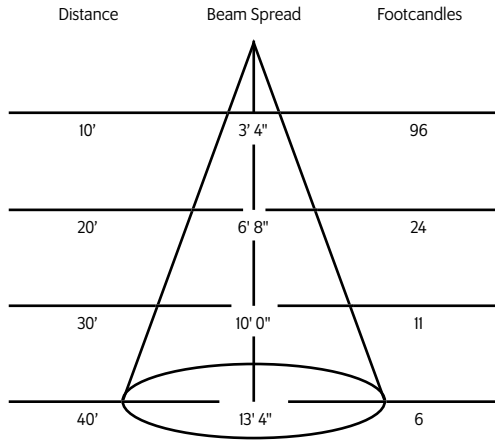
40° Spot Reflector



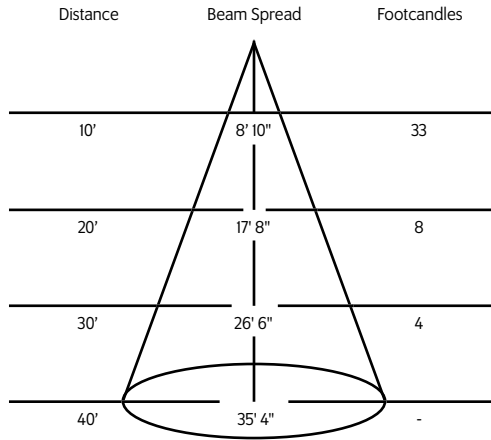
55° Medium Flood Reflector



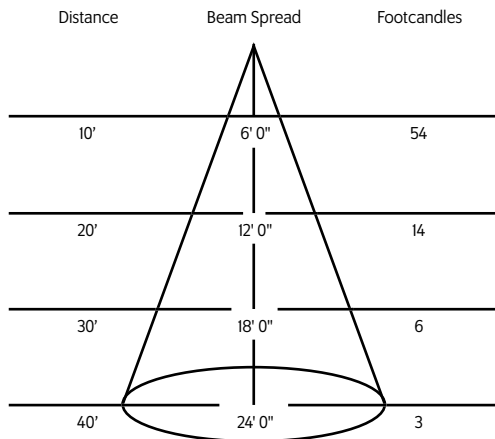
19° Medium Flood Reflector



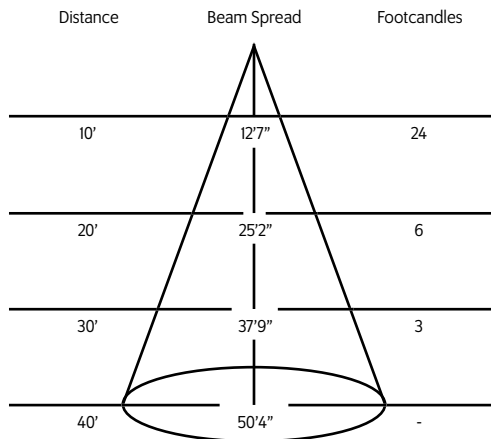
48° Medium Flood Reflector



33° Flood Reflector



64° Flood Reflector



Optics

- 12°, 19°, 33° 40°, 48°, 55°, and 64°

Warranty

- 2-year limited warranty
- UL Listed Product

Mounting Options

PM = Pendant Mount (Specify Length in Inches)

AC = Aircraft Cable, 120" supplied, field-cuttable

YME = Yoke Mount w/ 6' Edison Whip

YMT = Yoke Mount w/ 6' Twist Lock Whip

YM3 = Yoke Mount w/ 3-Wire Whip Without Connector (Provided w/ 10' leads)

YM5 = Yoke Mount w/ 6' 5-Wire Whip Without Connector for 0-10V Dimming
(Provided w/ 10' leads)

SM = Surface Mount (J-Box Mount)

Accessories

L = Louver

G = Glow Ring

S = Integral Surge Protector, 10kA L-G, 10kA N-G, 20kA L-N

DMX Features

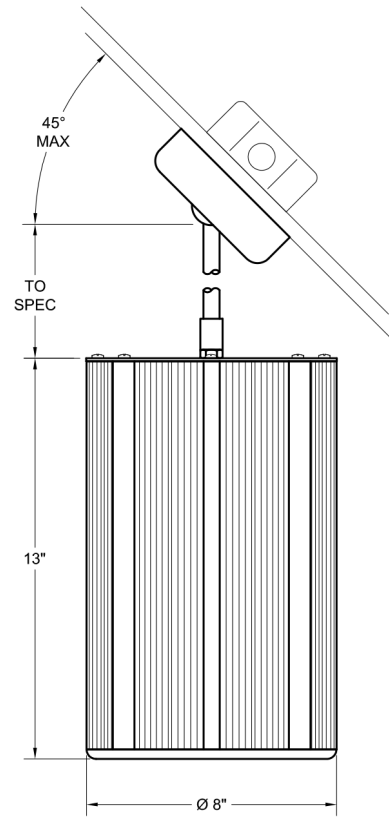
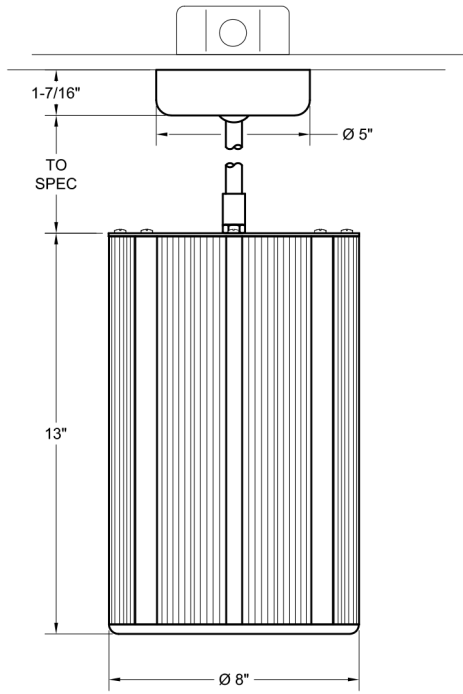
- Multiple data termination options, including XLR, Ethercon or Terminal Block

Color Tuning Features

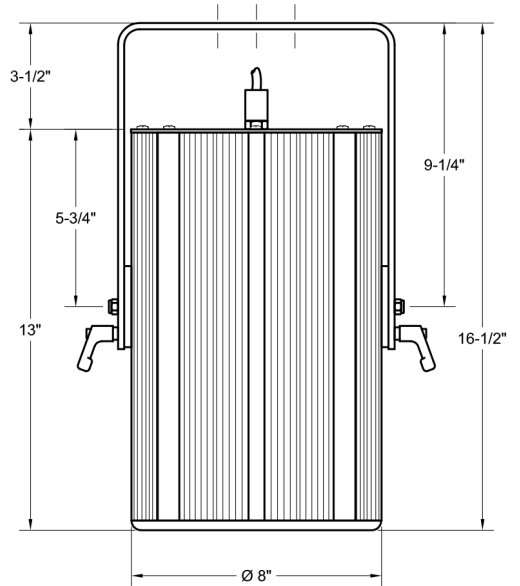
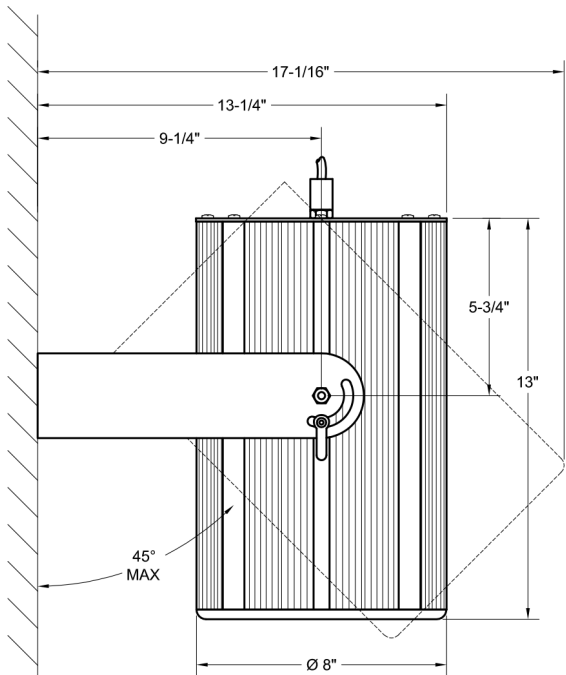
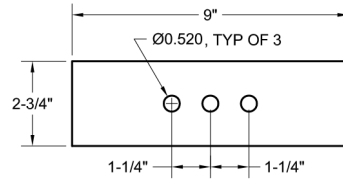
- Color gamut control: gradients of saturated colors from 1-100 % can be added to color points.
- 90+ CRI
- Dimmable from 100 - 0.1% constant CCT
- DMX512-A-RDM or Lutron EcoSystem compatible
- DMX controls dimming, hue, saturation and tunable white
- Available with RJ45 or XLR sockets
- On-board Bluetooth Low Energy (BLE)
- Tunable range: 1650-8000K
- SceneSet enables up to five scenes to be preprogrammed and recalled using a 0-10V recommended summer or via Bluetooth
- Addressing and integration by RDM, Bluetooth Low Energy, Lutron® EcoSystem® are all available as control options. Must be specified and ordered to pair with desired control system from factory.
- L70 greater than 50,000 hours
- Lutron® and EcoSystem® available - Consult factory.

* For notes on dimming, please [click here](#).

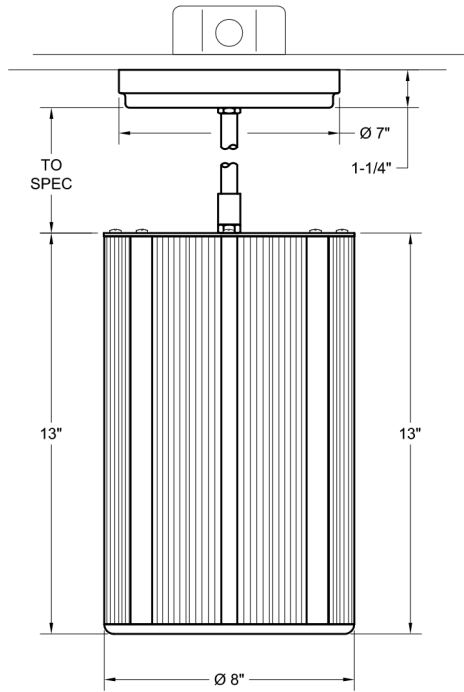
STEM MOUNT, SWIVEL CANOPY



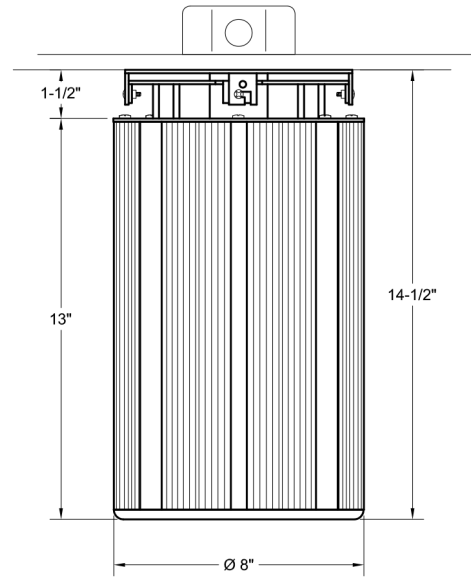
YOKE MOUNT



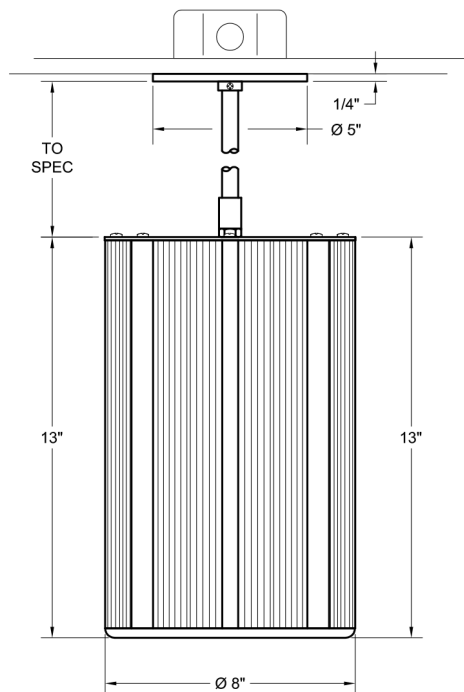
STEM MOUNT, CANOPY WITH TERMINAL BLOCK



SURFACE MOUNT



STEM MOUNT, STANDARD CANOPY



CABLE MOUNT, STANDARD CANOPY

