



# AR111R 6-50W

## Specification Sheet - New Construction



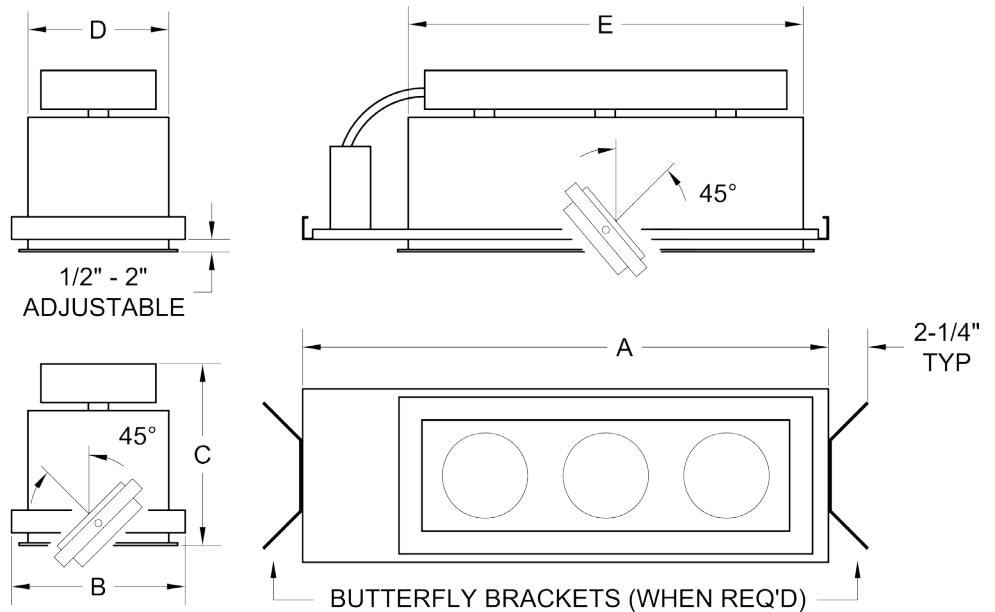
5 Holt Drive,  
Stony Point, NY 10980  
845-947-3034  
info@tslight.com

Manufactured in the USA - IBEW



### Features

- Available in 1 to 4-light linear configurations
- Blends into the ceiling and can be installed with or without trim
- Each Lamp Holder is individually mounted for pan and tilt
- Easy front relamping
- Accepts a variety of lenses and accessories
- Integral Thermal Protection
- Adjustable trim with torsion springs for ceilings up to 2" thick
- Adjustable butterfly mounting brackets included (additional mounting hardware provided by others)
- Fully enclosed wiring compartment
- Black, white and silver trims available - custom colors upon request
- Inside finish: Black
- 120 or 277V versions available.



Model #	Length	Width	Height	Ceiling Cut-Out	
	(A)	(B)	(C)	(D)	(E)
AR111R-1	14 <sup>3</sup> / <sub>8</sub> "	8 <sup>3</sup> / <sub>4</sub> "	7 <sup>3</sup> / <sub>4</sub> "	7 <sup>1</sup> / <sub>16</sub> "	8"
AR111R-2	20 <sup>1</sup> / <sub>4</sub> "	8 <sup>3</sup> / <sub>4</sub> "	7 <sup>3</sup> / <sub>4</sub> "	7 <sup>1</sup> / <sub>16</sub> "	13 <sup>3</sup> / <sub>8</sub> "
AR111R-3	26 <sup>1</sup> / <sub>8</sub> "	8 <sup>3</sup> / <sub>4</sub> "	7 <sup>3</sup> / <sub>4</sub> "	7 <sup>1</sup> / <sub>16</sub> "	19 <sup>7</sup> / <sub>8</sub> "
AR111R-4	32 <sup>1</sup> / <sub>8</sub> "	8 <sup>3</sup> / <sub>4</sub> "	7 <sup>3</sup> / <sub>4</sub> "	7 <sup>1</sup> / <sub>16</sub> "	25 <sup>3</sup> / <sub>4</sub> "

### Ordering Matrix

Model	# of Lamps	Voltage	Trim Finish
AR111R	1 = 1-Linear 2 = 2-Linear 3 = 3-Linear 4 = 4-Linear	120 = 120V 277 = 277V	B = Black W = White S = Silver CC = Custom

Ambient temperature: 35°C

Example: AR111R-3-120-W

AR111R-\_\_\_\_\_ - \_\_\_\_\_ - \_\_\_\_\_

\*Specification sheets are subject to change without notice.

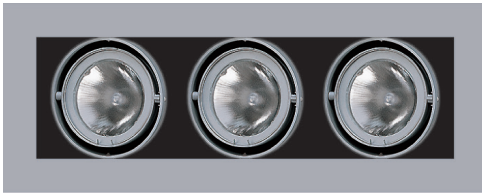
## 1-Linear AR111R-1



## 2-Linear AR111R-2



## 3-Linear AR111R-3



## 4-Linear AR111R-4



## LED Lamp Types

<b>01193</b>	6W 3000K 4° LED
<b>00893</b>	18.5W 3000K 9° LED
<b>00895</b>	18.5W 3000K 25° LED
<b>00897</b>	18.5W 3000K 36° LED

## Incandescent Lamp Types

**50AR111/SSP4**  
50W/12V; 3000Hrs; 4° Beam; 45000 CBCP

**50AR111/SP8**  
50W/12V; 3000Hrs; 8° Beam; 20000 CBCP

**50AR111/FL25**  
50W/12V; 3000Hrs; 25° Beam; 4000 CBCP

## Accessories

<b>GF36</b>	Colored Glass
<b>GF36-601</b>	Beam Softener
<b>GF36-600</b>	5°x50° Linear
<b>GF36-673</b>	50°x50° Spread
<b>GF36-702</b>	UV Blocking
<b>HD36</b>	Snoot
<b>XH36</b>	Cross Baffle

### Notes on Dimming:

- **TE** This means the fixture will work on *MOST* quality Trailing Edge dimmers. These dimmer types are also known as Reverse Phase or Electronic Low Voltage (ELV), and are available as wall mount and rack mount modules.
- **LE** This means the fixture will work on *MOST* quality Leading Edge dimmers. These dimmer types are also known as Forward Phase, Incandescent, Halogen or Triac, and are available as wall mount and rack mount modules.
- **0-10** This means the fixture will work on *MOST* quality 0-10V or 1-10V dimmers. These dimmer types are also known as Fluorescent, and are available as wall mount and rack mount modules.

It is impractical to test every fixture type with every dimmer type, and some combinations work better than others, while some not at all.

It is advisable to pretest a particular fixture with an intended dimmer beforehand to insure that the combination will work as expected.

Most if not all dimmers have a maximum LED load that can be applied, often as little as 10% of its nominally rated value.

Dimming LEDs can actually extend their life expectancy, and will not affect the color temperature or CRI.

**NOTE:** These fixtures are not IC or Chicago Plenum Rated.