

AR111R 6-50W

Specification Sheet - New Construction



5 Holt Drive,
Stony Point, NY 10980
845-947-3034
info@tslight.com

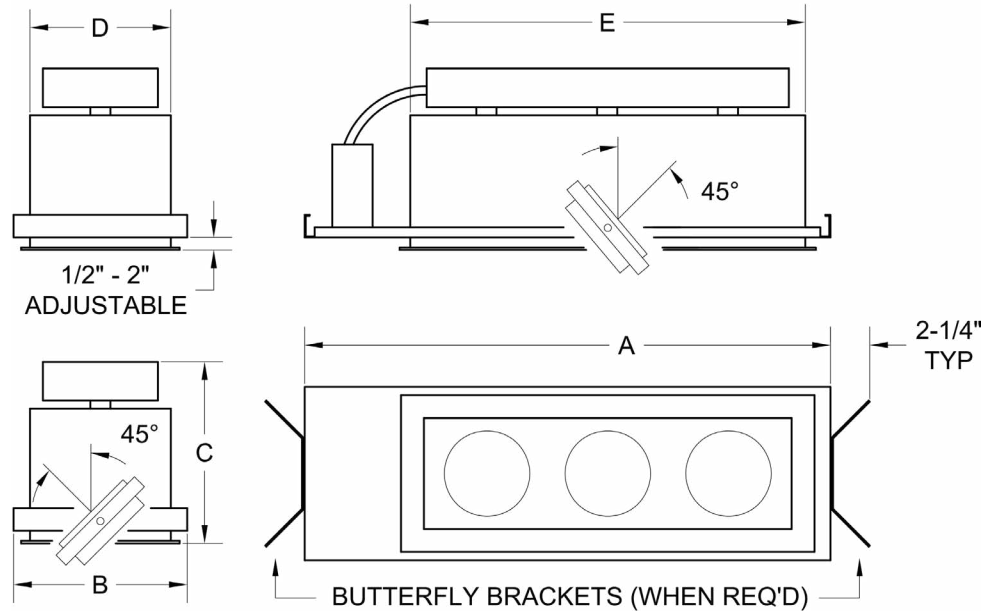


Manufactured in the USA - IBEW



Features

- Use with electronic low voltage (ELV) Dimmer only (AKA Trailing Edge and Reverse Phase).
- Available in 1 to 4-light linear configurations
- Blends into the ceiling and can be installed with or without trim
- Each Lamp Holder is individually mounted for pan and tilt
- Easy front relamping
- Accepts a variety of lenses and accessories
- Integral Thermal Protection
- Adjustable trim with torsion springs for ceilings up to 2" thick
- Adjustable butterfly mounting brackets included (additional mounting hardware provided by others)
- Fully enclosed wiring compartment
- Black, white and silver trims available - custom colors upon request
- Inside finish: Black
- 120 or 277V versions available.



Model #	Length	Width	Height	Ceiling Cut-Out	
	(A)	(B)	(C)	(D)	(E)
AR111R-1	14 ³ / ₈ "	8 ³ / ₄ "	7 ³ / ₄ "	7 ¹ / ₁₆ "	8"
AR111R-2	20 ¹ / ₄ "	8 ³ / ₄ "	7 ³ / ₄ "	7 ¹ / ₁₆ "	13 ⁷ / ₈ "
AR111R-3	26 ¹ / ₈ "	8 ³ / ₄ "	7 ³ / ₄ "	7 ¹ / ₁₆ "	19 ⁷ / ₈ "
AR111R-4	32 ¹ / ₈ "	8 ³ / ₄ "	7 ³ / ₄ "	7 ¹ / ₁₆ "	25 ³ / ₄ "

Ordering Matrix

Model	# of Lamps	Voltage	Trim Finish
AR111R	1 = 1-Linear 2 = 2-Linear 3 = 3-Linear 4 = 4-Linear	120 = 120V 277 = 277V	B = Black W = White S = Silver CC = Custom

Ambient temperature: 35°C

Example: AR111R-3-120-W

AR111R-_____ - _____ - _____

*Specification sheets are subject to change without notice.

1-Linear AR111R-1



2-Linear AR111R-2



3-Linear AR111R-3



4-Linear AR111R-4



NOTE: These fixtures are not IC or Chicago Plenum Rated.

LED Lamp Types

01193	6W 3000K 4° LED
00893	18.5W 3000K 9° LED
00895	18.5W 3000K 25° LED
00897	18.5W 3000K 36° LED

Incandescent Lamp Types

50AR111/SSP4
50W/12V; 3000Hrs; 4° Beam; 45000 CBCP

50AR111/SP8
50W/12V; 3000Hrs; 8° Beam; 20000 CBCP

50AR111/FL25
50W/12V; 3000Hrs; 25° Beam; 4000 CBCP

Accessories

GF36	Colored Glass
GF36-601	Beam Softener
GF36-600	5°x50° Linear
GF36-673	50°x50° Spread
GF36-702	UV Blocking
HD36	Snoot
XH36	Cross Baffle