

Manufactured in the USA - IBEW



Features

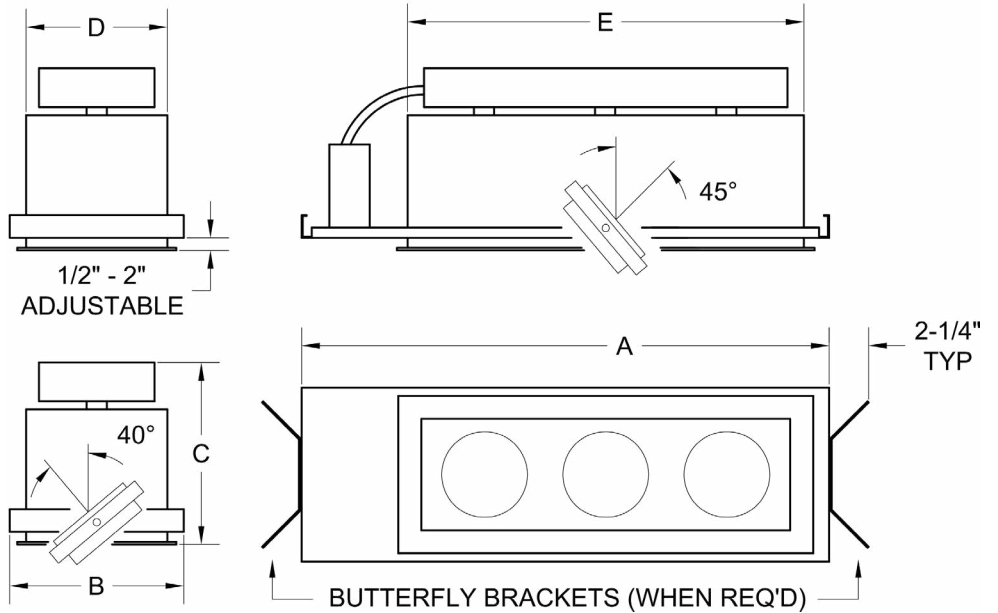
- Accepts low voltage LED MR16 lamps
- Available in 1 to 4-light linear configurations
- Blends into the ceiling and can be installed with or without trim
- Each Lamp Holder is individually mounted for pan and tilt
- Easy front relamping
- Accepts a variety of lenses and accessories
- Integral Thermal Protection
- Adjustable trim with torsion springs for ceilings up to 2" thick
- Adjustable butterfly mounting brackets included (additional mounting hardware provided by others)
- Fully enclosed wiring compartment
- Black, white and silver trims available - custom colors upon request
- 120 or 277-volt versions available
- Use with electronic low voltage (ELV) Dimmer only (AKA Trailing Edge and Reverse Phase)

MR16R

Specification Sheet - New Construction



5 Holt Drive,
Stony Point, NY 10980
845-947-3034
info@tslight.com



	Length	Width	Height	Ceiling Cut-Out	
Model #	(A)	(B)	(C)	(D)	(E)
MR16R-1	12½"	6⅞"	6½"	5¾"	6¼"
MR16R-2	16½"	6⅞"	6½"	5¾"	10¼"
MR16R-3	20¾"	6⅞"	6½"	5¾"	14⅛"
MR16R-4	24¾"	6⅞"	6½"	5¾"	18⅞"

Ordering Matrix

Model	# of Lamps	Voltage	Inside Finish	Trim Finish
MR16R	1 = 1-Linear 2 = 2-Linear 3 = 3-Linear 4 = 4-Linear	120 = 120V 277 = 277V	B = Black W = White S = Silver CC = Custom	B = Black W = White S = Silver CC = Custom

Maximum Ambient temperature: 35°C

Example: MR16R-3-B-W-120

MR16R-_____ - _____ - _____ - _____

*Specification sheets are subject to change without notice.

1-Linear MRI6R-1



2-Linear MRI6R-2



3-Linear MRI6R-3



4-Linear MRI6R-4



NOTE: These fixtures are not IC or Chicago Plenum Rated.

Accessories

GF38	Colored Glass
GF38-601	Beam Softener
GF38-600	5°x50° Linear
GF38-673	50°x50° Spread
GF38-702	UV Blocking
HD38	Snoot
XH38	Cross Baffle