



Manufactured in the USA - IBEW



XICATO

Features

- Available in 1 to 4-light linear configurations
- 50,000 Hour life per LED module
- 20°, 40°, and 60° Field-changeable reflectors
- Choice of color temperatures: 2700, 3000, 3500, & 4000°K
- Available in 83 or 98 CRI
- Lutron: Consult factory for details.
- Blends into the ceiling and can be installed with or without trim
- Each LED is individually mounted for pan and tilt
- Accepts a variety of lenses and accessories
- Adjustable trim with torsion springs for ceilings up to 2" thick
- Adjustable butterfly mounting brackets included (additional mounting hardware provided by others)
- Fully enclosed wiring compartment
- Black, white and silver trims available - custom colors upon request
- Meets FCC 47 CFR Part 15/18 Requirements

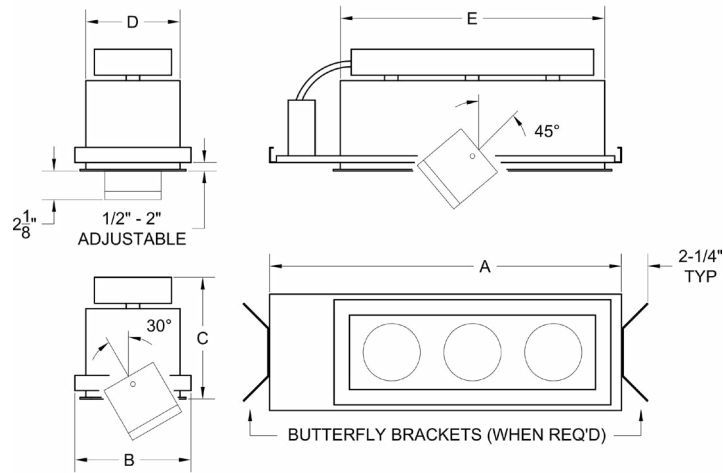
XT13SR 13W

1300 Lumen LED

Specification Sheet - New Construction



5 Holt Drive,
Stony Point, NY 10980
845-947-3034
info@tslight.com



LED

- Xicato™ cold remote phosphor LED module
- Color temp options: 2700K, 3000K, 3500K, 4000K
- CRI: 83 standard or 98 optional (R9=96)
- Lumen maintenance: 86% of initial lumen output at 50,000 hours on LM-80 testing
- SDCM: 1 x 2 MacAdam Ellipse. 50 kelvin tolerance
- No UV or IR

Module	Total Wattage	Delivered Lumen	Efficacy (Lm/W)	CRI
83	13	1235	95	83
98	17	1235	67	98

* Total wattage equals LED plus driver. Delivered lumen may vary depending on LED module, color temperature, optics, and accessories.

Model #	Length (A)	Width (B)	Height (C)	Ceiling Cut-Out	
				(D)	(E)
XT13SR-1	14 ³ / ₈ "	8 ⁵ / ₈ "	8 ¹ / ₂ "	7 ¹ / ₈ "	8"
XT13SR-2	20 ¹ / ₄ "	8 ⁵ / ₈ "	8 ¹ / ₂ "	7 ¹ / ₈ "	14"
XT13SR-3	26 ¹ / ₈ "	8 ⁵ / ₈ "	8 ¹ / ₂ "	7 ¹ / ₈ "	20"
XT13SR-4	32 ¹ / ₈ "	8 ⁵ / ₈ "	8 ¹ / ₂ "	7 ¹ / ₈ "	25 ³ / ₄ "

Ordering Matrix

Model	# of Lamps	CRI	Color Temp	Inside Finish	Trim Finish	Voltage	Reflector	Dimming*
XT13SR	1 = 1-Linear 2 = 2-Linear 3 = 3-Linear 4 = 4-Linear	83 ≥ 83 98 ≥ 98	27 = 2700K 30 = 3000K 35 = 3500K 40 = 4000K	B = Black W = White S = Silver CC = Custom	B = Black W = White S = Silver CC = Custom	100 = 100V 120 = 120V 240 = 230-240V 277 = 277V	20 = 20° 40 = 40° 60 = 60°	ND = Non-Dimming TE = Trailing Edge LE = Leading Edge** 010 = 0-10V DMX = DMX Basic

* See Reverse for notes on dimming. Maximum Ambient temperature: 35°C

** Not available in 240-277V

Example: XT13SR-3-83-30-B-W-120-40-ND

XT13SR-_____ - _____ - _____ - _____ - _____ - _____ - _____

* Specification sheets are subject to change without notice.

1-Linear XT13R-1



2-Linear XT13R-2



3-Linear XT13R-3



4-Linear XT13R-4



NOTE: These fixtures are not IC or Chicago Plenum Rated.

Accessories

LV18	Louver	FX22-21	Amber Filter
FX22-26	Red Filter	FX22-10	Yellow Filter
FX22-80	Blue Filter	FX22-33	Pink Filter
FX22-64	Light Blue Filter	DF22	Dichroic Color Filter
FX22-90	Green Filter	X00517*	Glass / Dichroic Filter

* Required accessory when using filters.

* Wide range of colors available.

* For notes on dimming, please [click here](#).