



CELESTE

GEN 2 COLOR MIX 60W LED



5 Holt Drive,
Stony Point, NY 10980
845-947-3034
www.tsight.com

The Celeste Color Mix features tunable color and a high CRI output. Mosaic Gen2 are fixtures with theatrical outputs in an architectural package. Rich hues of red, green, blue and amber can be used to paint your environment. Mosaic Gen2 also features a high CRI variable white output between 1650K-8000K. Multiple control options are available, ranging from DMX to 0-10V control.

Improvements over the first generation Mosaic fixtures include an enhanced green output and hybrid dimming control.

Manufactured in the USA - IBEW



Construction

- Extruded aluminium with black, white or silver finish.
- Multiple mounting options
- Internal multiple accessory holder
- Weight: 15 lbs.

Electrical

- Integral electronic driver
- Meets FCC 47 CFR Part 15/18 Requirements
- 60 Watts
- Power Input: Universal (120-277V)
- DMX Addressing is RDM-only (No onboard DMX)

Emitter 2-Year Warranty

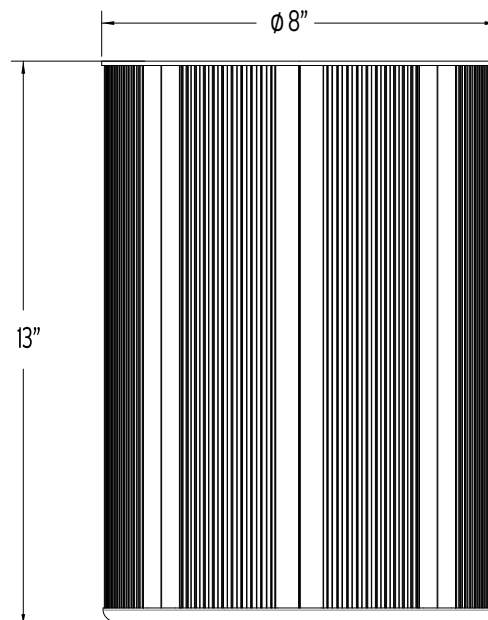
The warranty on the LED Emitter used in this Times Square Lighting product shall have a two year warranty from the date of purchase.

Maximum ambient temperature: 40°C
Maximum operating angle: 45° from vertical



COLORMIX

*Specification sheets are subject to change without notice.



Module	Total Wattage	Lumen Package	Efficacy (Lm/W)	CRI
CM	60	5000	84	80+ to 90+

GEN 2 Enhanced Green Personality Options

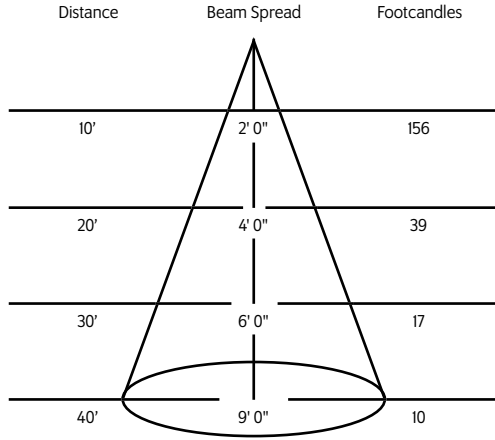
- Dynamic Dimming: 1-Channel Profile, Dims 3200K - 1650K
- Intensity, CCT, Saturation, and Hue. 4-Channel DMX Personality.
- RGBW 4-Channel Profile Standard
- RGBW Profile with selectable fixed white color temperature. Can be set to 2700K, 4000K, or 6500K.

GEN 2 Hybrid Dimming

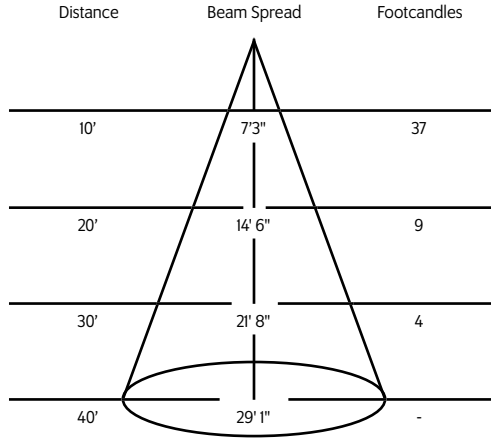
- 0.1% dimming utilizing a combination of current control and pulse width modulation for flicker-free dimming.
- Compatible with high-speed cameras

Photometric Data

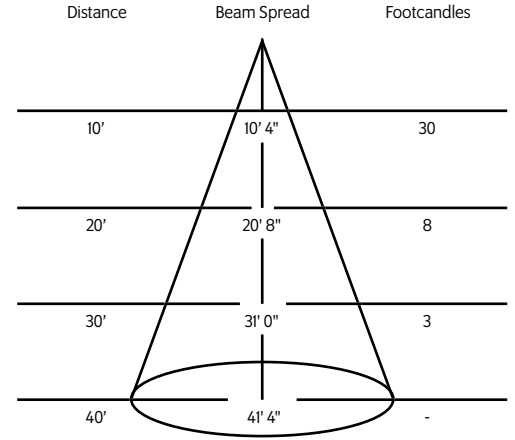
12° Spot Reflector



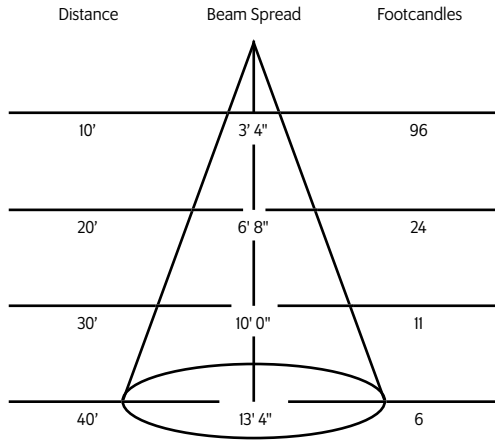
40° Spot Reflector



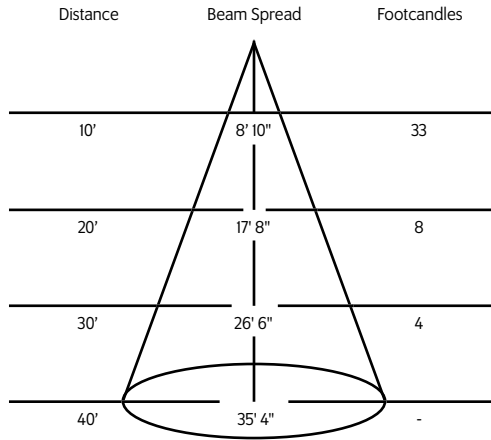
55° Medium Flood Reflector



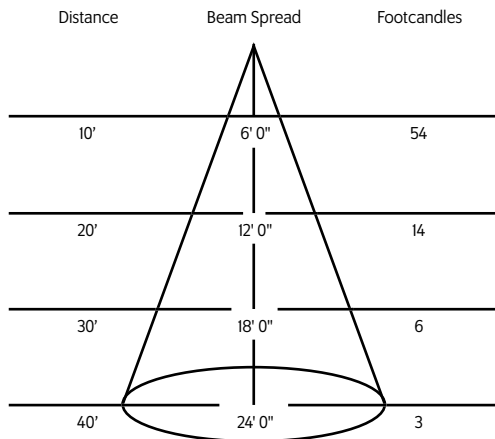
19° Medium Flood Reflector



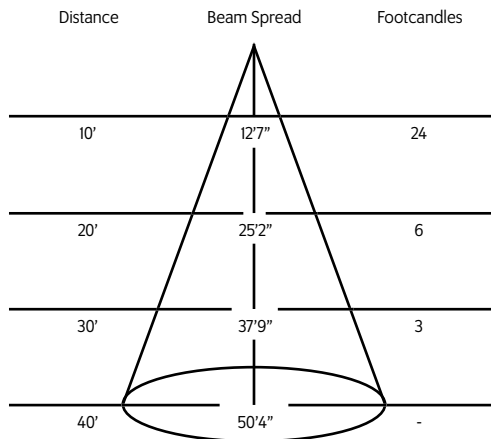
48° Medium Flood Reflector



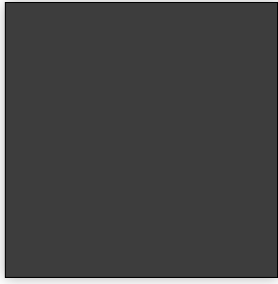
33° Flood Reflector



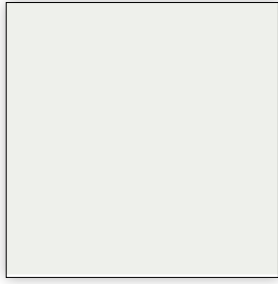
64° Flood Reflector



Custom Colors



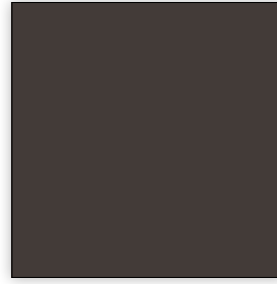
Black



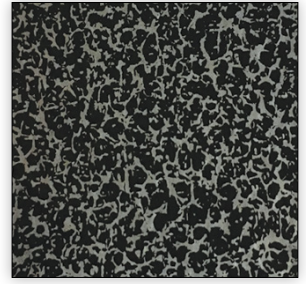
White



Silver



Bronze



Silver Vein

HOW TO SPECIFY:

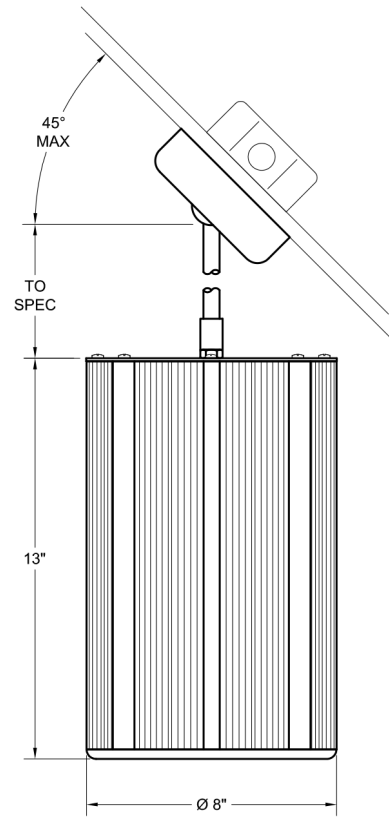
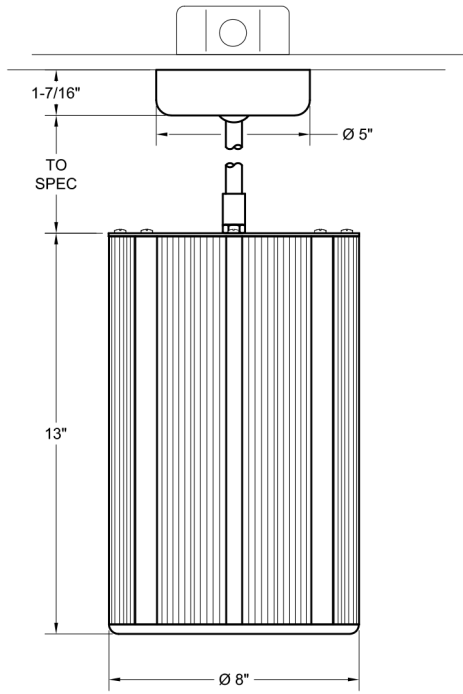
MODEL	ARRAY	FINISH
CEL60	CT = Color Tune	B = Black W = White S = Silver Z = Bronze V = Silver Vein C = Custom Color
OPTICS	MOUNTING	DIMMING
12 = 12° 19 = 19° 33 = 33° 40 = 40° 48 = 48° 55 = 55° 64 = 64°	PM = Pendant Mount (Specify Length in Inches) AC = Aircraft Cable, 120" supplied, field-cutttable YME = Yoke Mount w/ 6' Edison Whip YMT = Yoke Mount w/ 6' Twist Lock Whip YM3 = Yoke Mount w/ 3-Wire Whip Without Connector (Provided w/ 10' leads) YM5 = Yoke Mount w/ 6' 5-Wire Whip Without Connector for 0-10V Dimming (Provided w/ 10' leads) SM = Surface Mount (I-Box Mount) SL = Swivel Canopy for tilted ceiling or where field adjustable stem lengths are required (specify maximum length in inches.)	DX = DMX / RDM
CONNECTOR	ACCESSORIES	
3 = 3 PIN XLR (Fixture Top)† 5 = 5 PIN XLR (Fixture Top) T = Terminal Block (Fixture Top) E = RJ45 Ethernet (Ethernet) (Fixture Top) TC = Terminal Block (Fixture Canopy)*† * PM Option Only † Not compatible with Surface Mount	L = Louver G = Glow Ring S = Integral Surge Protector, 10kA L-G, 10kA N-G, 20kA L-N	

EXAMPLE: CEL60-CT-W-55-AL-DX-5-G

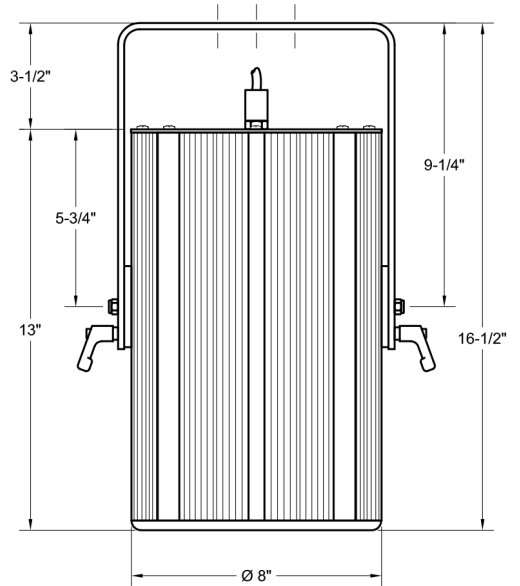
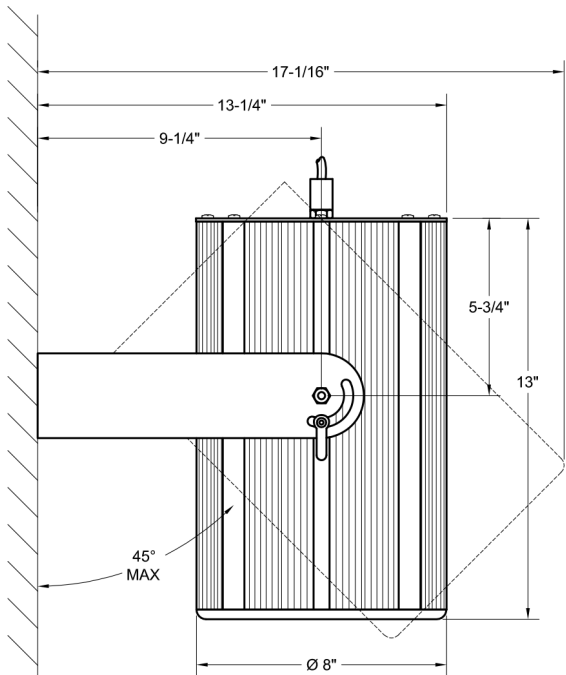
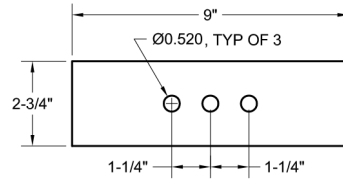
MODEL	ARRAY	FINISH	OPTICS	MOUNTING	DIMMING	CONNECTOR	ACCESSORIES
CEL60	CT						

* For notes on dimming, please [click here](#).

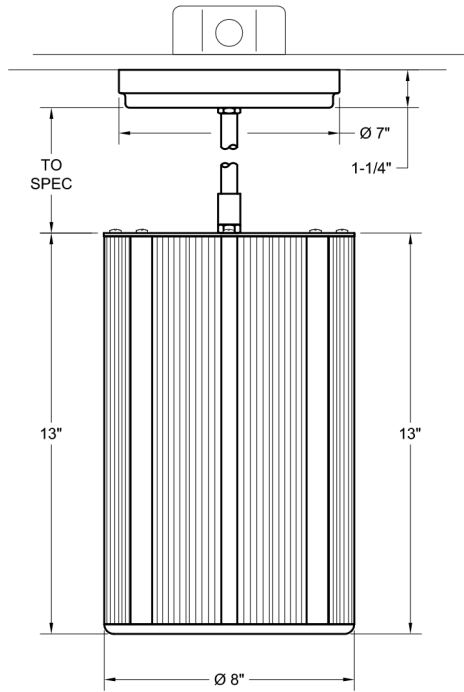
STEM MOUNT, SWIVEL CANOPY



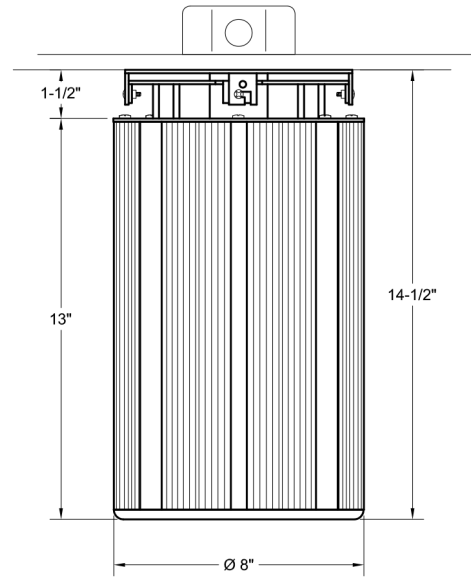
YOKE MOUNT



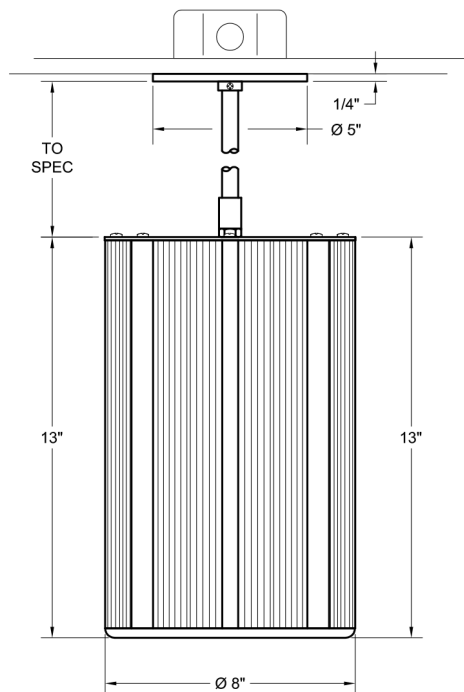
STEM MOUNT, CANOPY WITH TERMINAL BLOCK



SURFACE MOUNT



STEM MOUNT, STANDARD CANOPY



CABLE MOUNT, STANDARD CANOPY

