



Manufactured in the USA - IBEW



### Electrical

- Integral electronic driver
- 100-277V, 50/60Hz
- Meets FCC 47 CFR Part 15/18 Requirements

### Construction

- Steel & aluminum housing with black, white or silver finish
- Accepts up to 3 accessories
- Weight: 3 lbs.

### Dimming

- Trailing edge (ELV): 120V / 277V
- Leading edge (Triac): 120V only
- 0-10V: 120V / 277V
- IP (Integral Pot) dimming available
- Lutron ecosystem premier driver available, featuring dimming to 0.1% and soft on/soft off incandescent like dimming. Only available on fixtures 20 watts or less.

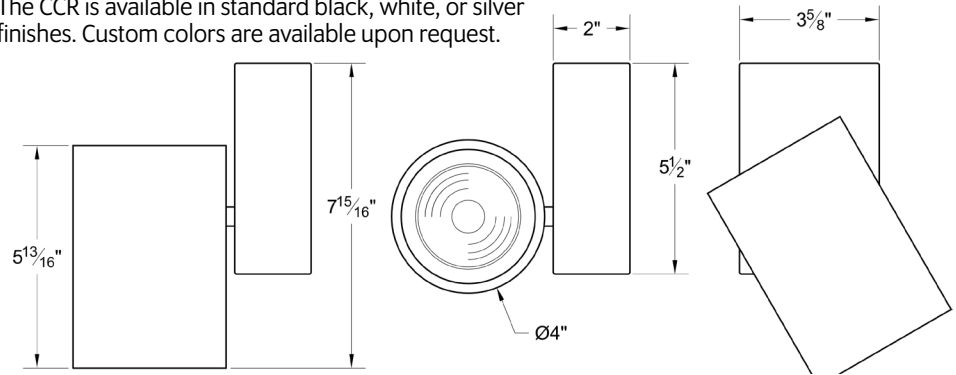
\* Specification sheets are subject to change without notice.

# CCR Series

## CREE LED

The CCR emphasizes efficiency and economy and boasts the highest lumens per watt rating of any Times Square Lighting fixture to date. It is designed for a short to medium throw applications. The CCR can be fitted with up to three accessories, including barn doors, louvers and lenses. This versatile fixture is available with a wide variety of mounting and dimming options, allowing for a huge range of customization possibilities.

The CCR is available in standard black, white, or silver finishes. Custom colors are available upon request.



## LED

- Cree XLamp LED array
- Color temp options: 2700K, 3000K, 3500K, 4000K, 5000K, 5700K, 6500K
- CRI: 80 standard or 92 optional
- Lumen maintenance: 90% of initial lumen output at 33,000 hours on LM-80 testing
- No UV or IR

Model	CRI	Total Wattage*	Delivered Lumens	Efficacy (Lm/W)
CCR9	80 / 92	5.6 / 6.4	900 / 900	161 / 141
CCR12	80 / 92	7.7 / 9.0	1200 / 1200	156 / 133
CCR15	80 / 92	9.7 / 11.4	1500 / 1500	155 / 132
CCR18	80 / 92	11.4 / 15.0	1800 / 1800	158 / 120
CCR20	80 / 92	13.3 / 15.8	2000 / 2000	150 / 127
CCR25	80 / 92	18.0 / 23.4	2500 / 2500	139 / 107
CCR27	92	25.0	2700	108
CCR30	80 / 92	23.4 / 30	3000 / 3000	128 / 100
CCR35	80	30.0	3500	117

\* Total wattage equals LED plus driver. Delivered lumen may vary depending on LED module, color temperature, optics, and accessories. Testing done with 3000K LED array.

## Ordering Matrix

Model	Lumens	CRI	Color Temp	Finish	Voltage	Optics	Mounting	Dimming †	Accessories
CCR	9 = 900 12 = 1200 15 = 1500 18 = 1800 20 = 2000 25 = 2500 27 = 2700* 30 = 3000 35 = 3500**	80 92	27 = 2700K 30 = 3000K 35 = 3500K 40 = 4000K 50 = 5000K 57 = 5700K** 65 = 6500K**	B = Black W = White S = Silver CC = Custom Color	100† 120 240 277	20 = 20° 25 = 25° 40 = 40° 60 = 60° Zoom Optics^	See Mounting Options	TE = Trailing Edge*** LE = Leading Edge† ZO = 0-10V ND = Non-Dimming IP = Integral Pot*** DMX = DMX Basic ECP = Ecosystem premier 0.1% dim	See Accessory Options

Maximum ambient temperature: 35°C

\* 92 CRI Only \*\* 80 CRI Only ^Maximum 2000 Lumens

Maximum operating angle: 45° from vertical \*\*\* 277V TE & IP Dimming available on 1800, 2500 & 3000 lumen, 80 CRI and 1500 & 2700 lumen, 92 CRI only.

† See "Notes on Dimming" on reverse

‡ Non-Dim or 0-10V dimming only

‡ 120V Only

Example: CCR15-8030-B-120-40-ADI-TE-LV22

CCR- \_\_\_\_\_

## Optics

- 20°, 40°, and 60° Field-changable reflectors

CBCP:	CCR9	CCR12	CCR15	CCR18	CCR20	CCR25	CCR30	CCR35
20°	3100	4250	5500	6030	6700	8600	11000	13900
40°	1850	2500	3250	3600	4000	5100	6500	7100
60°	980	1350	1750	2100	2425	3200	3700	4150

\* Testing done at 3000K, 80 CRI.

## Photometric Data

Distance	20° Spot Reflector Beam Spread	Footcandles							
		CCR9	CCR12	CCR15	CCR18	CCR20	CCR25	CCR30	CCR35
5'	1.7'	126	170	220	241	268	344	440	556
10'	3.5'	31	43	55	60	67	86	110	139
15'	5.3'	14	19	24	27	30	38	49	62
20'	7.1'	8	11	14	15	17	22	28	35
25'	8.8'	5	7	9	10	11	14	18	22
30'	10.6'	-	6	6	7	7	10	12	15

Distance	40° Medium Flood Reflector Beam Spread	Footcandles							
		CCR9	CCR12	CCR15	CCR18	CCR20	CCR25	CCR30	CCR35
5'	3.6'	74	100	130	144	160	204	260	284
10'	7.3'	19	25	33	36	40	51	65	71
15'	10.9'	8	11	15	16	18	23	29	32
20'	14.6'	5	6	8	9	10	13	16	18
25'	18.2'	-	-	5	6	6	8	10	11
30'	22.2'	-	-	-	-	-	6	7	8

Distance	60° Flood Reflector Beam Spread	Footcandles							
		CCR9	CCR12	CCR15	CCR18	CCR20	CCR25	CCR30	CCR35
5'	5.7'	39	54	70	85	97	128	148	166
10'	11.6'	10	14	18	21	24	32	37	42
15'	17.3'	5	6	8	9	11	14	16	18
20'	23.1'	-	5	5	5	6	8	9	10
25'	28.9'	-	-	-	-	5	5	6	7
30'	35.2'	-	-	-	-	-	-	-	5

## Extension Wands

SP 12	12" Stem
SP 18	18" Stem
SP 24	24" Stem
SP X	Custom Length

## Mounting Options

**DT2** 2-circuit track adapter for SpecTrack databus. 120V.

**HDT2** Track adapter for SpecTrack 2-Circuit data track. 277V.

**T1** Track Adapter for commercial grade 1 & 2 circuit track. 120V. For use with larger, heavier fixtures.

**TA1** Track adapter for E-Series specification grade track. 1 circuit. 120V.

**TA2** Track adapter for G-Series specification grade 2-circuit track. 120V.

**HTA2** Track adapter for G-Series specification grade 2-circuit track. 277V.

**TA3** Track adapter for G-Series specification grade 3-circuit track. 120V.

**CM4** Canopy Mount

**US1** 6 $\frac{5}{8}$ " x 1 $\frac{1}{2}$ " Unitrux Adapter

**TB8** 8" x 8" Portable table base for floor and table use

**MC** Light duty pipe clamp for small fixtures. For pipes up to 1 $\frac{5}{16}$ " O.D.

**MN** Medium duty pipe clamp for small to large fixtures. For pipes up to 2" O.D.

**PC9M** Heavy duty pipe clamp for large, heavy fixtures. For pipes up to 2" O.D.

## Accessories

<b>BD20</b>	Barndoor
<b>LV22</b>	Full Size Louver
<b>XL22</b>	Full Size X Baffle Louver
<b>XH22</b>	Full Size X Baffle Hood
<b>HD22</b>	Hood/Snoot
<b>X00517</b>	Accessory Holder
<b>LV18*</b>	Honeycomb Louver
<b>OF22-9101*</b>	Smoothing Frost Filter
<b>FX22-26</b>	Red Filter
<b>FX22-80</b>	Blue Filter
<b>FX22-64</b>	Light Blue Filter
<b>FX22-90</b>	Green Filter
<b>FX22-21</b>	Amber Filter
<b>FX22-10</b>	Yellow Filter
<b>FX22-33</b>	Pink Filter
<b>DF22*</b>	Glass Color Filter
<b>CC18</b>	Coil Cord Option
<b>SC024</b>	Safety Cable

\* X00517 Required

\* Wide range of colors available.

\* For notes on dimming, please [click here](#).