



# 56L

## 40W LED PAR56



5 Holt Drive,  
Stony Point, NY 10980  
845-947-3034  
info@tslight.com

The 56L is designed for medium throw applications including malls, retail stores, display and exhibit areas, galleries, museums and installations that require a high intensity, compact fixture.

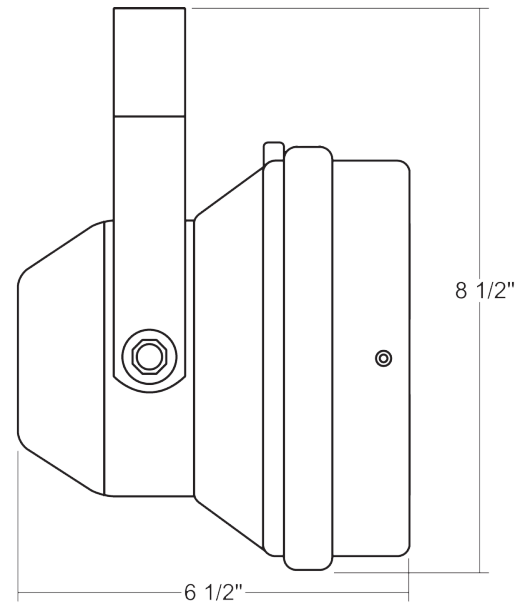
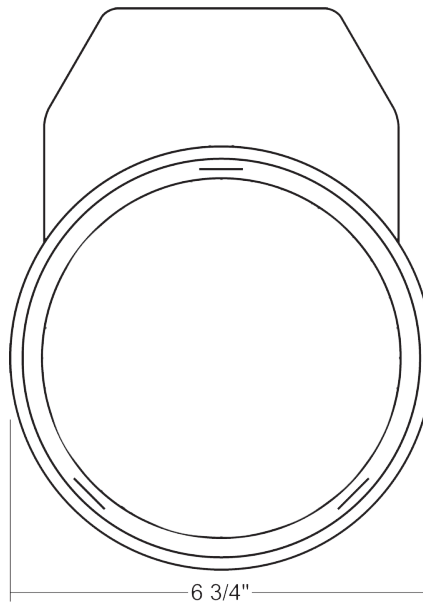
The 56L features a wrench-lock yoke and accessory-retaining clips that accept louvers, barndoors, hoods and filters. Available in standard black, white and silver finishes. Custom colors are available by request and at an additional charge.

Manufactured in the USA - IBEW

PRODUCT LISTED  
BY A NATIONALLY  
RECOGNIZED  
TESTING  
LABORATORY

### Features

- Suitable to replace 300W halogen
- Dimmable with forward and reverse phase controls
- Multi optic lens design rich and vibrant colors
- High candela output up to 24,000cd
- Spot, Narrow, Flood beam angles
- Delivers Flicker Free Light (<1% flicker)
- Rated Lifetime (L70): 50,000 hours
- 4000 lumens at 3000K
- 92 CRI



### HOW TO SPECIFY:

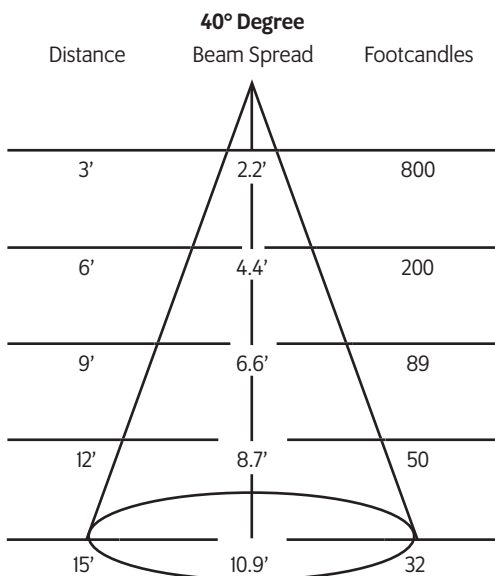
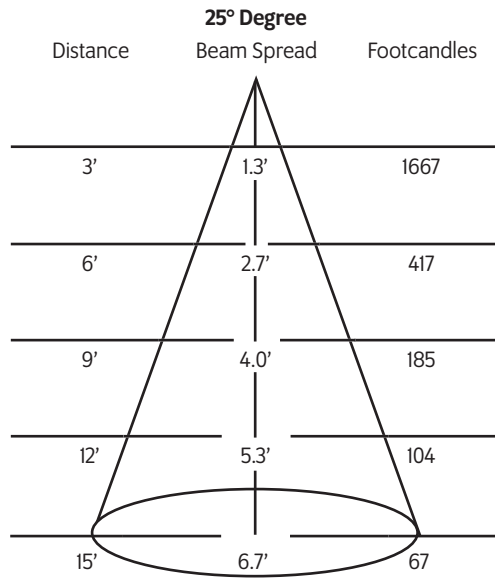
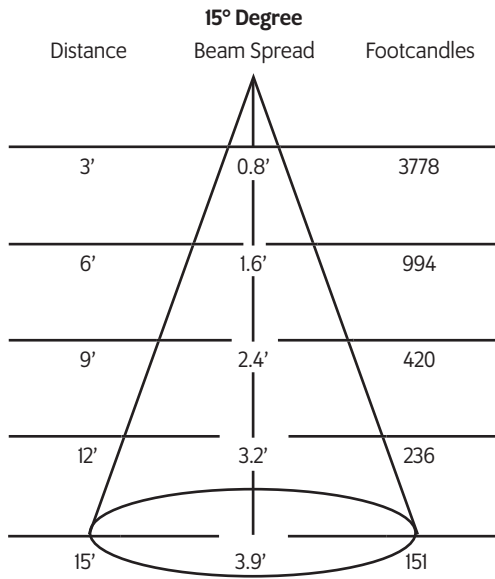
MODEL	FINISH	COLOR TEMPERATURE
56L	B = Black W = White S = Silver CC = Custom Color	27 = 2700K 30 = 3000K
BEAM	MOUNTING	
15 = 15° 25 = 25° 40 = 40°	See Mounting Options.	

EXAMPLE: 56L - B - 27 - 15 - TA2

MODEL	FINISH	COLOR TEMPERATURE	BEAM	MOUNTING
56L				

\*Specification sheets are subject to change without notice.

## Photometric Data



## Mounting Options

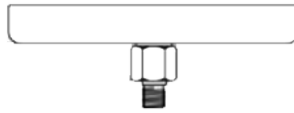
**T1**  
Track adapter for commercial grade 1 & 2 circuit track. 120V. For use with larger, heavier fixtures.

**TA2**  
Track adapter for G-Series specification grade 2-circuit track. 120V.

**TA3**  
Track adapter for G-Series specification grade 3-circuit track. 120V.

**TA1**  
Track adapter for E-Series specification grade track. 1-circuit. 120V.

**CM4**  
Canopy mount.



**US1**  
6 5/8" x 1 1/2" Unistrut adapter.



**TB4**  
6 1/4" Portable wall mount/table base floor, wall or table use.

**TB8**  
8" x 8" Portable table base for floor or table use.



**MN**  
Medium duty pipe clamp for small to large fixtures. For pipes up to 2" O.D.

**PC9M**  
Heavy duty pipe clamp for large, heavy fixtures. For pipes up to 2" O.D.



## Accessories

<b>LV9</b>	Louver
<b>LV9BD</b>	Louver (for use with BD9)
<b>BD9</b>	Barndoor
<b>HD9</b>	Hood
<b>XH9</b>	Cross Baffle Hood
<b>CF9</b>	Color Frame
<b>FX9</b>	Color Filter
<b>GF9-600</b>	5°x50° Linear Lens
<b>GF9-601</b>	Beam Softener
<b>GF9-673</b>	50°x50° Spread Lens
<b>CC18</b>	Coiled Cord
<b>SC-24</b>	Safety Cable

## Extension Wands

<b>SP 12</b>	12" Stem
<b>SP 18</b>	18" Stem
<b>SP 24</b>	24" Stem
<b>SP X</b>	Custom Length

## Finish

<b>B</b>	Black
<b>W</b>	White
<b>S</b>	Silver
<b>CC</b>	Custom Color

