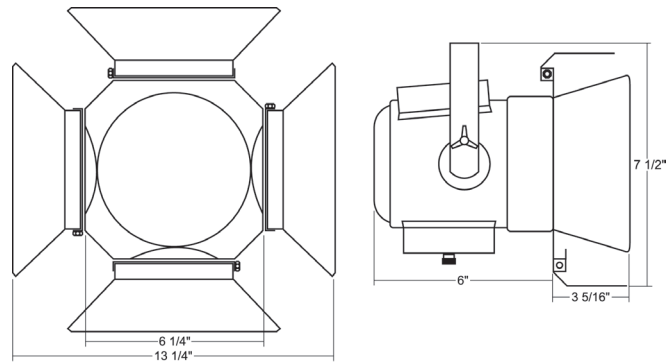




The E36BD4 is a theatrical-style unit ideal for exhibit groups, clubs, theatrical venues or wherever a durable economical fixture is required. This steel, single-spun unit can accept AR111 low voltage lamps and LED's. The E36BD4 comes equipped with 4-way locking barndoors to control light spill and an internal accessory holder that accepts louvers and filters.

## FEATURES

- Theatrical design
- Locking barndoors
- 120, 220 and 277-volt available
- Integral 12-volt dimmable transformer
- Accepts AR111 lamps and LED's
- Numerous mounting options and accessories
- Weight: 2.6 lbs



MODEL NUMBER	FINISH	MOUNTING	ACCESSORIES
E36BD4	B Black W White S Silver CC Custom Color	<p>AD1 Track Adapter. 1 or 2 Circuit track. 120V. T1 Track Adapter. 1 or 2 Circuit track. 120V. TA1 Track Adapter. E-Series. 1 Circuit. 120V. TA2 Track Adapter. G-Series. 2 Circuit. 120V. TA3 Track Adapter. G-Series. 3 Circuit. 120V.</p> <hr/> <p>CM4 Canopy Mount.</p> <hr/> <p>US1 6 5/8" x 1 1/2" Unistrut Adapter.</p> <hr/> <p>TB4 6 1/4" Portable Wall Mount/Table Base Floor.</p> <hr/> <p>MC Light Duty Pipe Clamp. For pipes up to 15/16" O.D. MN Medium Duty Pipe Clamp. For pipes up to 2" O.D.</p>	<p>LV17 Louver CF17 Color Frame GF17 Glass Color Filter GF17-C AR111 Glass Shield DF17 Dichroic Color Filter GF17-600 5°x50° Linear Lens GF17-601 Beam Softener GF17-673 50°x50° Spread Lens GF17-703 UV Blocking Filter CC18 Coiled Cord SC-24 Safety Cable IP Integral Dimmer</p>

**EXAMPLE:** E36BD4 - B - TA2 -LV17

MODEL NUMBER	FINISH	MOUNTING	ACCESSORIES
E36BD4			