



WW Series

Wall Wash



5 Holt Drive,
Stony Point, NY 10980
845-947-3034
info@tslight.com

The WW (Wall Wash) Series features an asymmetrical reflector that provides even field of illumination. This distribution of light from ceiling to floor hides imperfections in the wall and smoothly eliminates shadows, adding a feeling of depth to any room.

The WW has an available high CRI option which is ideally suited for lighting artwork. Numerous lumen outputs are available, ranging between 800 and 5000 lumens. A variety of dimming options are available, including phase dimming, 0-10V and IP (integral potentiometer) dimming.

The WW Series is available in standard black, white and silver finishes. Custom colors are available upon request.

Manufactured in the USA - IBEW



Electrical

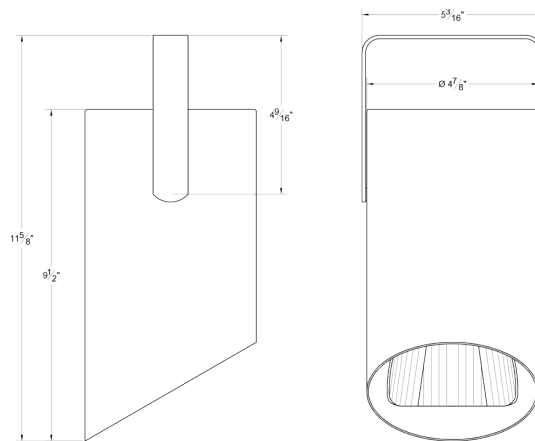
- Integral electronic driver
- 120-277V, 50/60Hz
- Meets FCC 47 CFR Part 15/18 Requirements

Construction

- Steel & aluminum housing with black, white or silver finish
- Weight: 3 lbs.
- Asymmetrical reflector

Dimming

- Trailing edge (ELV): 120V / 277V
- Leading edge (Triac): 120V only
- 0-10V: 120V only (ControlTrac), 120-277V otherwise
- IP (Integral Pot) dimming available
- Lutron ecosystem premier driver available, featuring dimming to 0.1% and soft on/soft off incandescent like dimming. Only available on fixtures 20 watts or less.



CRI	Lumens	Watts	Lumens per Watt
80	1000	5.7	175
80	2000	11.6	172
80	2800	16.4	171
80	3700	23	161
80	5000	35	143
92	800	5.7	140
92	1600	11.6	138
92	2200	16.4	134
92	3000	23	130
92	4100	35	117

Ordering Matrix

Model	Lumens	CRI	Color Temp	Finish	Voltage	Mounting	Dimming †	Accessories
WW	8 = 800* 10 = 1000** 16 = 1600* 20 = 2000** 22 = 2200* 28 = 2800** 30 = 3000* 37 = 3700** 41 = 4100* 50 = 5000**	80 92	27 = 2700K 30 = 3000K 35 = 3500K 40 = 4000K 57 = 5700K	B = Black W = White S = Silver CC = Custom Color	120 240 277	See Mounting Options	TE = Trailing Edge*** LE = Leading Edge (120V Only) 0-10V = 0-10V IP = Integral Pot ‡ ECP = Ecosystem premier 0.1% dim	See Accessory Options

Maximum ambient temperature: 35°C
Maximum operating angle: 45° from vertical

* 92 CRI Only ** 80 CRI Only
*** Not available with 800 or 1000 lumen fixtures @ 277V

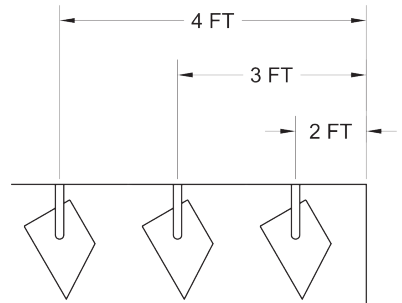
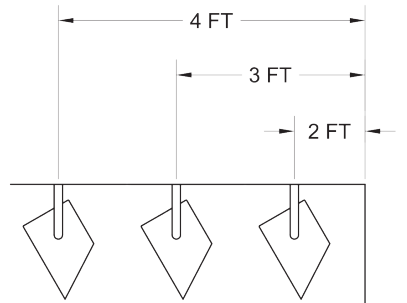
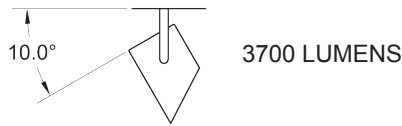
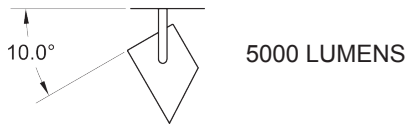
† See "Notes on Dimming" on reverse
‡ Not available with 800, 1000, 3000 or 4100 lumen fixtures.

* Specification sheets are subject to change without notice.

Example: WW20-92-27-B-120-TI-IP-CC18

WW _____ - _____ - _____ - _____ - _____ - _____ - _____

Photometric Data



FC	FC	FC	FT
-	113	270	2
55	144	310	3
63	151	268	4
68	145	230	5
70	137	182	6
67	120	148	7
63	102	120	8
59	85	95	9
49	71	76	10
46	59	62	11
42	50	51	12

FC	FC	FC	FT
-	87	202	2
41	110	226	3
46	108	204	4
49	104	175	5
48	95	139	6
45	84	110	7
44	72	86	8
40	61	70	9
37	52	56	10
33	43	51	11
30	37	45	12

Mounting Options

T1 Track Adapter for commercial grade 1 & 2 circuit track. 120V. For use with larger, heavier fixtures.

TA1 Track adapter for E-Series specification grade track. 1 circuit. 120V.

TA2 Track adapter for G-Series specification grade 2-circuit track. 120V.

HTA2 Track adapter for G-Series specification grade 2-circuit track. 277V.

STA 2 circuit track adapter for Data Bus. Specification grade track. 120V.

TA3 Track adapter for G-Series specification grade 3-circuit track. 120V.

CM4 Canopy Mount

US1 6⁵/₈" x 1¹/₂" Unistrut Adapter

TB8 8" x 8" Portable table base for floor and table use

MC Light duty pipe clamp for small fixtures. For pipes up to 1⁵/₁₆" O.D.

MN Medium duty pipe clamp for small to large fixtures. For pipes up to 2" O.D.

PC9M Heavy duty pipe clamp for large, heavy fixtures. For pipes up to 2" O.D.

Accessories

CC18 Coiled Cord
SC-24 Safety Cable

Extension Wands

SP12 12" Stem
SP18 18" Stem
SP24 24" Stem
SPX Custom Length

Notes on Dimming:

- TE** This means the fixture will work on *MOST* quality Trailing Edge dimmers. These dimmer types are also known as Reverse Phase or Electronic Low Voltage (ELV), and are available as wall mount and rack mount modules.
- LE** This means the fixture will work on *MOST* quality Leading Edge dimmers. These dimmer types are also known as Forward Phase, Incandescent, Halogen or Triac, and are available as wall mount and rack mount modules.
- 0-10** This means the fixture will work on *MOST* quality 0-10V or 1-10V dimmers. These dimmer types are also known as Fluorescent, and are available as wall mount and rack mount modules.
- IP** This means the fixture has a dimmer *BUILT IN* to the fixture itself, and will dim to about 50%. It has an integral potentiometer located on the bottom of the driver housing. This fixture *WILL NOT* function with *EXTERNAL* wall or rack dimmers.

It is impractical to test every fixture type with every dimmer type, and some combinations work better than others, while some not at all.

It is advisable to pretest a particular fixture with an intended dimmer beforehand to insure that the combination will work as expected.

Some dimmers will allow for full-range dimming, while others will only dim to 50%. Some dimmers will work well within a certain range, and perhaps flicker or shut off at the lowest settings, rendering that portion of the range unusable. Most if not all dimmers have a maximum LED load that can be applied, often as little as 10% of its nominally rated value. Dimming LEDs can actually extend their life expectancy, and will not affect the color temperature or CRI.