

# TSC Model

## Track Current Limiters



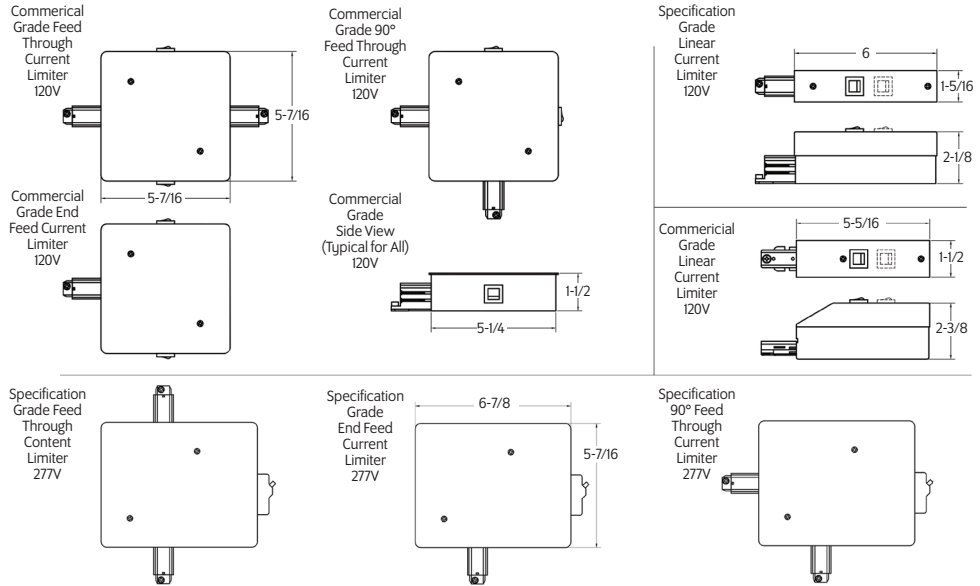
5 Holt Drive,  
Stony Point, NY 10980  
845-947-3034  
info@tslight.com

Manufactured in the USA - IBEW



Times Square Track Current Limiters are designed to provide an answer to energy limitations on wattage-per-foot requirements for lighting track installations. Some newer energy codes set a rating of 30 to 70 watts per linear foot of track irrespective of the actual wattage that is meant to be used on the track, unless a current limiting device is permanently installed between the track and the line feeding it. Times Square current limiters are available in over 12 different current ratings.

Available in black, white and silver finishes. Custom colors are available by request and at an additional charge.



## Features

- Available with ratings from 1-10, 12 and 15 Amps (others available as special order), 120 & 277 Volts
- Feed only or feed through design (surface mount only)
- Available for use with commercial or specification grade track
- Linear G Series specification grade limiters will fit into recessed track sleeves

## Ordering Matrix

Model	Track Type	Feed Style	Color	1st Ckt	2nd Ckt (If req'd)
TSC	L Comm Grade 1 Ckt 120 Volts	E End Feed F Feed Thru R Linear N 90° Feed Thru	B Black W White S Silver C Custom	1 1 Amp	1 1 Amp
	H Comm Grade 2 Ckt 120 Volts			2 2 Amp	2 2 Amp
	U Spec Grade 1 Ckt 120 Volts E-Series			3 3 Amp	3 3 Amp
	C Spec Grade 2 Ckt 120 Volts E-Series			etc.*	etc.*
	K Spec Grade 2 Ckt 277 Volts w/ Data Bus E-Series				
	D Spec Grade 2 Ckt 120 Volts w/ Data Bus E-Series				
	G Spec Grade 1 Ckt 120 Volts G-Series				
	T Spec Grade 2 Ckt 120 Volts G-Series				
	A Spec Grade 2 Ckt 277 Volts G-Series				
	X Spec Grade 3 Ckt 120 Volts G-Series				
	P Spec Grade 3 Ckt 120 Volts Pulse Track**				

\* Also available as standard: 4-10, 12 and 15. Other ratings available as special order - consult factory  
\*\* One ckt breaker feeds all 3 circuits

Desired Wattage	Ckt Rating (Amps)	Desired Wattage	Ckt Rating (Amps)	Desired Wattage	Ckt Rating (Amps)
120	1	600	5	1080	9
240	2	720	6	1200	10
360	3	840	7	1440	12
480	4	960	8	1800	15

Example: TSC-L-E-B-1-1

TSC-\_\_\_\_\_ - \_\_\_\_\_ - \_\_\_\_\_ - \_\_\_\_\_

\* Specification sheets are subject to change without notice.