



# PAR20

SORAA LED



5 Holt Drive,  
Stony Point, NY 10980  
845-947-3034  
info@tslight.com

Combines industry leading Soraa LED technology with optical, electrical, and thermal management solutions to deliver the lighting equivalence of a conventional 75W halogen PAR20 lamp with the benefits of solid state lighting. Delivers museum quality lighting for a broad range of lighting applications in spot, narrow and flood beams.

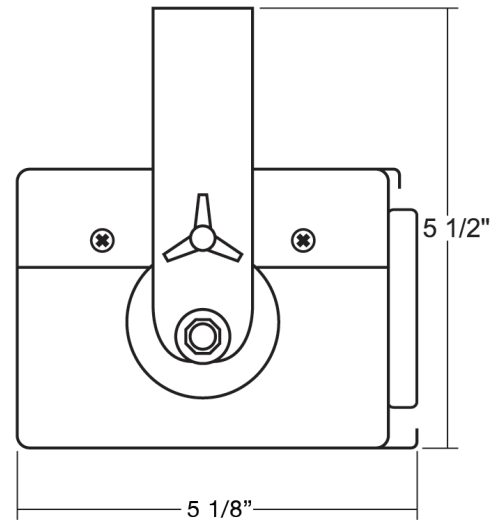
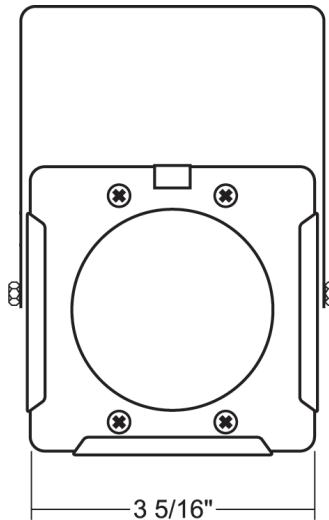
By utilizing Soraa's Snap System, unlimited possibilities for customizing this fixture are available. Options include the ability to field change the beam angle (Beam Spreader Snap), color temperature (CTO Snap), or to add a louver. Color Snaps can be used to produce brilliant hues of any color that Rosco or Lee offer.

Manufactured in the USA - IBEW



## Features:

- Precision optics delivers high quality smooth gradient light beam patterns
- Industry leading lumen maintenance and color point stability
- Snap lenses provide numerous customization options including adding color
- 120V AC
- Power factor 0.85
- Dimmable
- Locking yoke
- Numerous mounting options



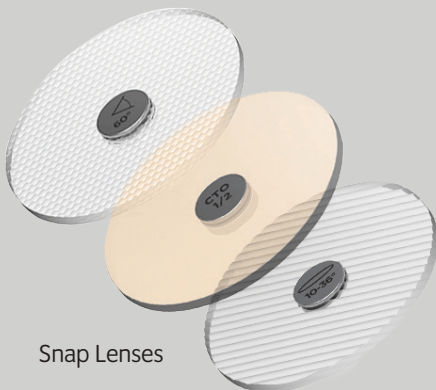
Lamp Type	Watts	CRI	Lumens*
Brilliant	8.4	90 (R9=0)	730
Vivid	10.8	95 (R9=95)	540

\*Lumens vary depending on color temperature - results for 3000K lamp used above.

## Ordering Matrix

Model	CRI	Color Temperature	Color	Mounting Options	Accessories
P20	90 95	27 = 2700K 30 = 3000K	B=Black W=White S=Silver CC=Custom Color	See Mounting Options for Ordering Codes	See Accessory Options for Ordering Codes

\*All fixtures sold with 10° beam angle lamps – use Beam Spreaders to achieve desired angle.



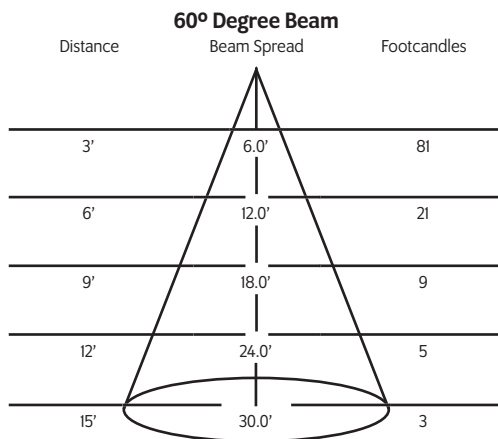
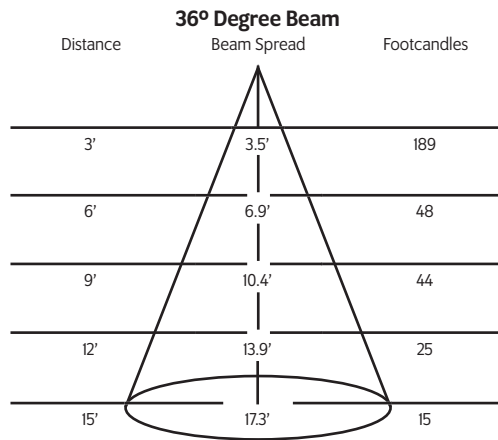
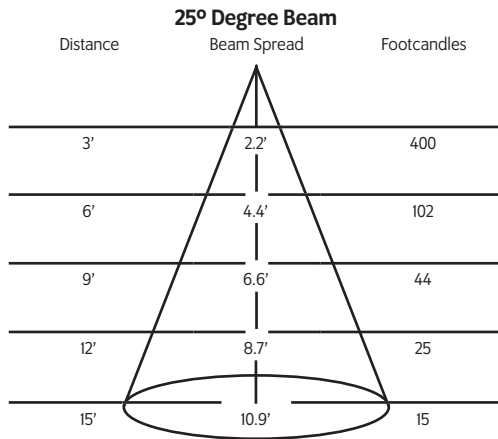
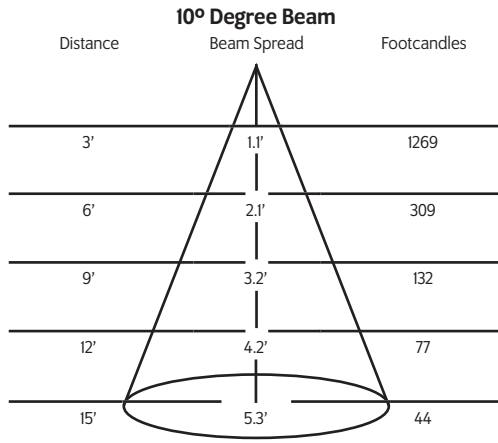
Snap Lenses

Example: P20-9527-B-ADI-LV3

P20-\_\_\_\_\_ - \_\_\_\_\_ - \_\_\_\_\_ - \_\_\_\_\_

\*Specification sheets are subject to change without notice.

## Photometric Data



\*Beam spread calculated based on field diameter.

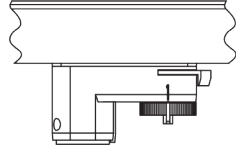
## Mounting Options

**AD1**  
Track adapter for commercial grade 1 and 2-circuit track.

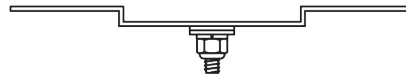
**TA1**  
Track adapter for E-Series specification grade track. 1 or 2 circuit. 120V.

**TA2**  
Track adapter for G-Series specification grade 2-circuit track.

**TA3**  
Track adapter for G-Series specification grade 3-circuit track.



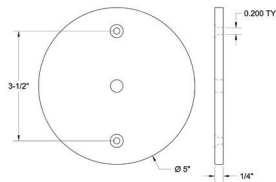
**US1**  
Unistrut adapter.



**TB4**  
6" Portable wall mount/table base for floor, wall or table use.

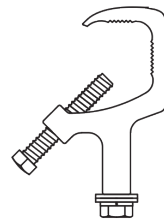


**CM1**  
Low profile canopy for permanent mounting on standard 4" electrical boxes.



**MC**  
Medium duty pipe clamp for pipes up to 1 1/2" O.D.

**MN**  
Medium duty pipe clamp for pipes up to 2" O.D.



## Accessories

<b>BD4</b>	Barndoor
<b>LV4</b>	Full Size Louver
<b>HD4</b>	Hood/Snoot
<b>CC18</b>	Coil Cord Option
<b>SC-24</b>	Safety Cable
<b>CF4</b>	Color Frame
<b>GF4</b>	Glass Color Filter
<b>DF4</b>	Dichroic Color Filter
<b>GF4-600</b>	5"x50" Linear Lens
<b>GF4-601</b>	Beam Softener
<b>GF4-673</b>	50"x50" Spread Lens

## Snap Accessories

<b>00325</b>	25° Beam Spreader Snap
<b>00327</b>	36° Beam Spreader Snap
<b>00329</b>	60° Beam Spreader Snap
<b>00331</b>	10°-25° Linear Snap
<b>00333</b>	10°-36° Linear Snap
<b>03259</b>	10°-60° Linear Snap
<b>00335</b>	25°X25° Flat Top Snap
<b>00337</b>	36°X36° Flat Top Snap
<b>00339</b>	40° Cutoff Louver
<b>00325</b>	20° Maximum Deflection Snap
<b>00323</b>	1/4 Color Temperature Shift Snap
<b>0032</b>	1/2 Color Temperature Shift Snap
<b>00319</b>	3/4 Color Temperature Shift Snap
<b>03281</b>	Enhance Snap
<b>02183-C</b>	Color Snap (Specify Color)

## Extension Wands

<b>SP 12</b>	12" Stem
<b>SP 18</b>	18" Stem
<b>SP 24</b>	24" Stem
<b>SP X</b>	Custom Length

## IES Files

Visit [tslight.com](http://tslight.com) to find comprehensive IES data.