



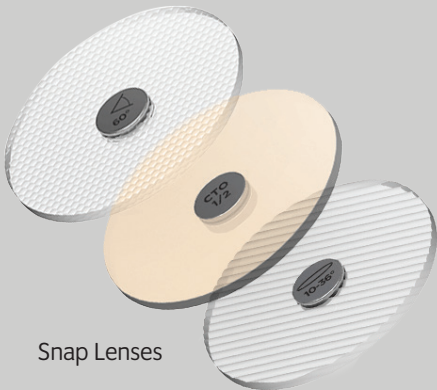
Manufactured in the USA - IBEW

PRODUCT LISTED
BY A NATIONALLY
RECOGNIZED
TESTING
LABORATORY



Features:

- Precision optics delivers high quality smooth gradient light beam patterns
- Industry leading lumen maintenance and color point stability
- Snap lenses provide numerous customization options including adding color
- 120V AC
- Power factor 0.85
- Dimmable
- Locking yoke
- Numerous mounting options



Snap Lenses

*Specification sheets are subject to change without notice.

PAR20

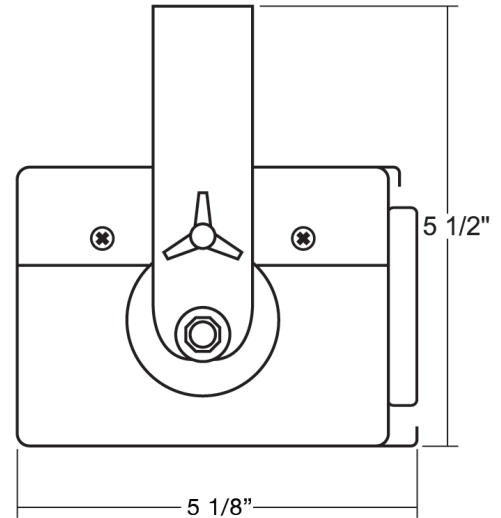
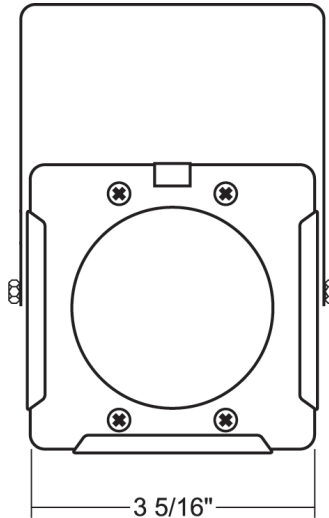
SORAA LED



5 Holt Drive,
Stony Point, NY 10980
845-947-3034
info@tslight.com

Combines industry leading Soraa LED technology with optical, electrical, and thermal management solutions to deliver the lighting equivalence of a conventional 75W halogen PAR20 lamp with the benefits of solid state lighting. Delivers museum quality lighting for a broad range of lighting applications in spot, narrow and flood beams.

By utilizing Soraa's Snap System, unlimited possibilities for customizing this fixture are available. Options include the ability to field change the beam angle (Beam Spreader Snap), color temperature (CTO Snap), or to add a louver. Color Snaps can be used to produce brilliant hues of any color that Rosco or Lee offer.



Lamp Type	Watts	CRI	Lumens*
Brilliant	8.4	90 (R9=0)	730
Vivid	10.8	95 (R9=95)	540

*Lumens vary depending on color temperature - results for 3000K lamp used above.

Ordering Matrix

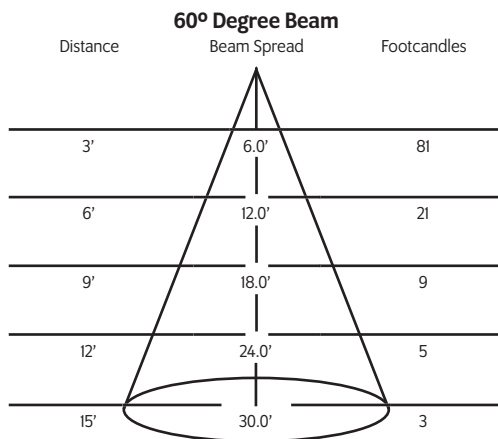
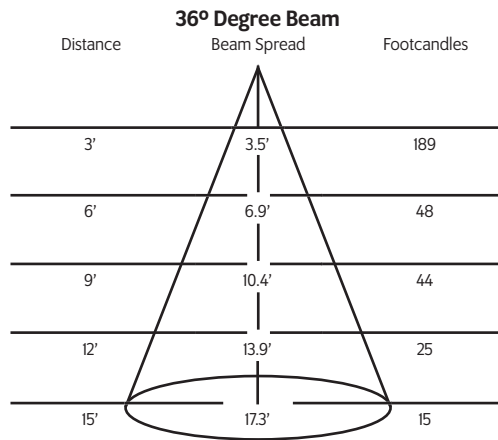
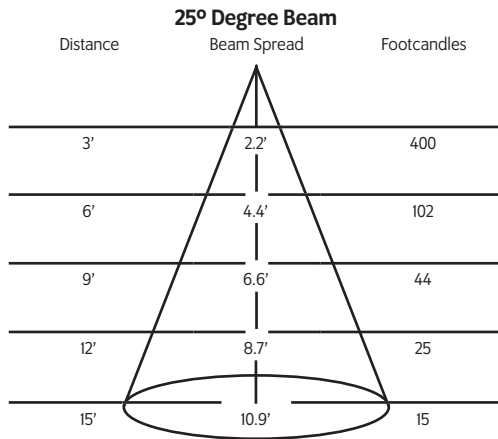
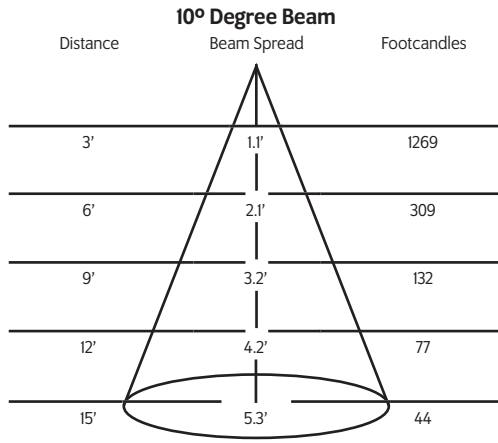
Model	CRI	Color Temperature	Color	Mounting Options	Accessories
P20	90 95	27 = 2700K 30 = 3000K	B=Black W=White S=Silver CC=Custom Color	See Mounting Options for Ordering Codes	See Accessory Options for Ordering Codes

*All fixtures sold with 10° beam angle lamps – use Beam Spreaders to achieve desired angle.

Example: P20-9527-B-ADI-LV3

P20-_____-_____-_____-_____

Photometric Data



*Beam spread calculated based on field diameter.

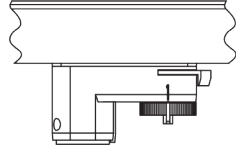
Mounting Options

AD1
Track adapter for commercial grade 1 and 2-circuit track.

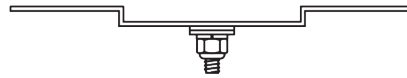
TA1
Track adapter for E-Series specification grade track. 1 or 2 circuit. 120V.

TA2
Track adapter for G-Series specification grade 2-circuit track.

TA3
Track adapter for G-Series specification grade 3-circuit track.



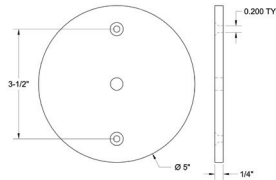
US1
Unistrut adapter.



TB4
6" Portable wall mount/table base for floor, wall or table use.

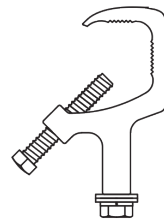


CM1
Low profile canopy for permanent mounting on standard 4" electrical boxes.



MC
Medium duty pipe clamp for pipes up to 1 1/2" O.D.

MN
Medium duty pipe clamp for pipes up to 2" O.D.



Accessories

BD4	Barndoor
LV4	Full Size Louver
HD4	Hood/Snoot
CC18	Coil Cord Option
SC-24	Safety Cable
CF4	Color Frame
GF4	Glass Color Filter
DF4	Dichroic Color Filter
GF4-600	5"x50" Linear Lens
GF4-601	Beam Softener
GF4-673	50"x50" Spread Lens

Snap Accessories

00325	25° Beam Spreader Snap
00327	36° Beam Spreader Snap
00329	60° Beam Spreader Snap
00331	10°-25° Linear Snap
00333	10°-36° Linear Snap
03259	10°-60° Linear Snap
00335	25°X25° Flat Top Snap
00337	36°X36° Flat Top Snap
00339	40° Cutoff Louver
00325	20° Maximum Deflection Snap
00323	1/4 Color Temperature Shift Snap
0032	1/2 Color Temperature Shift Snap
00319	3/4 Color Temperature Shift Snap
03281	Enhance Snap
02183-C	Color Snap (Specify Color)

Extension Wands

SP 12	12" Stem
SP 18	18" Stem
SP 24	24" Stem
SP X	Custom Length

IES Files

Visit tslight.com to find comprehensive IES data.