



# SoHo75

## 50-75W MR16 Projector



5 Holt Drive,  
Stony Point, NY 10980  
845-947-3034  
www.tslight.com

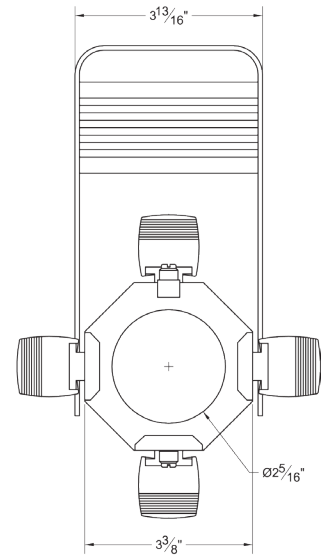
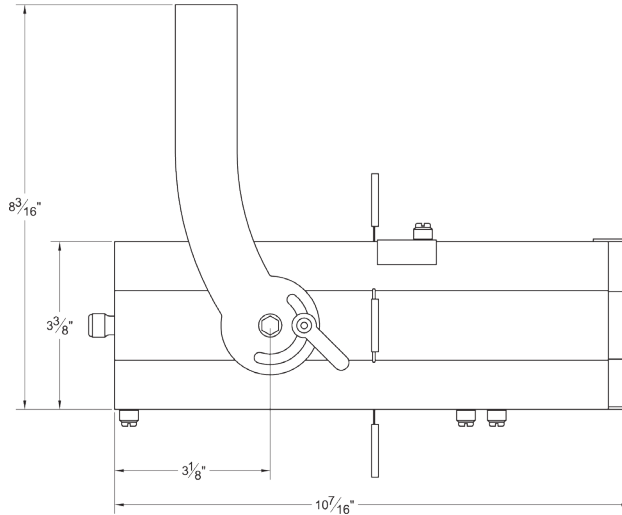
The SoHo75 is a compact pattern projector that produces intense, sharp or soft edged beams of light. Utilizing energy efficient MR16 lamps, the SoHo75 features a unique zoom focusing system that creates various spreads within the same fixture housing. Built-in pattern slots makes this unit capable of projecting stock and custom, steel or glass patterns. Available in black, white and silver finishes. Custom colors available by request and at an additional charge.

Manufactured in the USA - IBEW



### Features

- 120, 220 and 277-volt available
- Accepts 50 to 75-watt MR16 lamps (lamp included)
- 4-way adjustable framing shutters
- Zoom lens system (25°- 45°)
- Built-in pattern slot
- Fully dimmable
- Stock or custom, glass or steel patterns
- Numerous mounting options and accessories
- Weight: 5 lbs



### Pattern Rotator

5300

Mini Spin (Variable Speed Pattern Rotator)



### Lamp Types

**EXZ** 50W/12V; EXZ; 6000Hrs; 30° Beam; 2500 CBCP; 3050°K Color Temp

**\*EYJ** 71W/12V; EYJ; 4000Hrs; 25° Beam; 5500 CBCP; 3050°K Color Temp

*\*Item included with the purchase of fixture.*

### Ordering Matrix

| Model  | Finish  | Mounting             | Accessories           |
|--------|---|----------------------|-----------------------|
| SoHo75 | B = Black<br>W = White<br>S = Silver<br>CC = Custom Color | See Mounting Options | See Accessory Options |

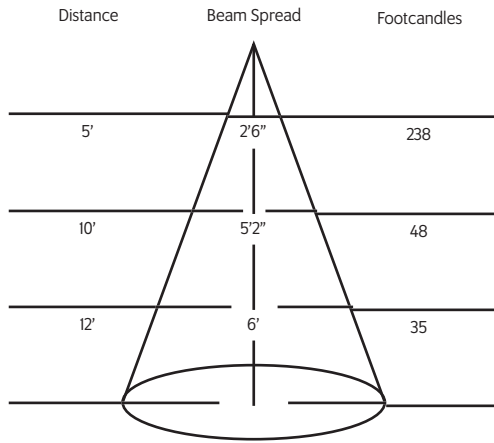
**Example:** SoHo75-B-TI-CF4

SoHo75 - \_\_\_\_\_ - \_\_\_\_\_ - \_\_\_\_\_

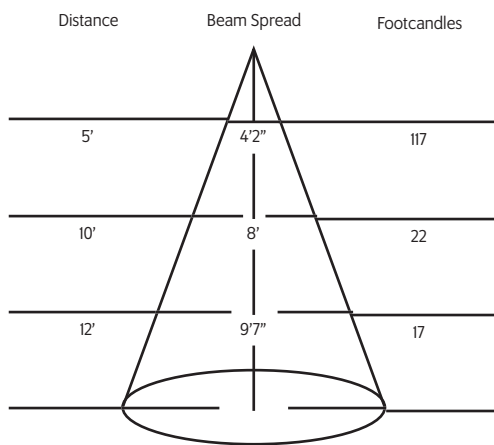
*\*Specification sheets are subject to change without notice.*

## Photometric Data

### SoHo75: EYJ- 30° Spot Position



### SoHo75: EYJ- 45° Flood Position



## Mounting Options

### ADI

Track Adapter for commercial grade 1 & 2 circuit track. 120V. For use with lightweight fixtures.

### TI

Track Adapter for commercial grade 1 & 2 circuit track. 120V. For use with larger, heavier fixtures.

### TA1 / TE2 (2 ckt)

Track adapter for E-Series specification grade track. 1 or 2 circuit. 120V.

### TA2 / HTA2 (277V)

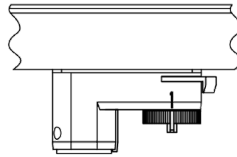
Track adapter for G-Series specification grade 2-circuit track. 120V or 277V.

### ST2

2 circuit track adapter for Data Bus. Specification grade track. 120V.

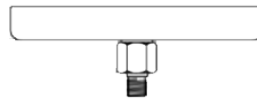
### TA3

Track adapter for G-Series specification grade 3-circuit track. 120V.



### CM4

Canopy Mount



### US1 6 7/8" x 1 1/2"

Unitrut Adapter



### TB4 6 1/4"

Portable wall mount/table base for floor, wall, and table use

### TB8 8" x 8"

Portable table base for floor and table use



### MC

Light duty pipe clamp for small fixtures. For pipes up to 15/16" O.D.

### MN

Medium duty pipe clamp for small to large fixtures. For pipes up to 2" O.D.

### PC9M

Heavy duty pipe clamp for large, heavy fixtures. For pipes up to 2" O.D.

## Accessories

### CF6

Color Frame

### SN6

SNOOT/HOOD

### PH6

Pattern Holder

### PD6

Pattern Donut

### SPE

Stock Pattern Steel

### CPE

Custom Pattern Steel

### GPE

Custom Pattern Glass

### GF6

Glass Color Filter

### DF6

Dichroic Color Filter

### GF6-702

UV Blocking Filter

### CC18

Coiled Cord

### 6I

Iris

### IP

Integrated Dimmer

## Extension Wands

SP 12 12" Stem

SP 18 18" Stem

SP 24 24" Stem

SP X Custom Length

## Finish

B Black

W White

S Silver

CC Custom Color

## Patterns

For standard and custom patterns please see the pattern specification sheet. For a complete list, please contact a Times Square Lighting representative.

View Patterns: <http://tsq.li/2bMBz3l>

