



STAGE CAGE

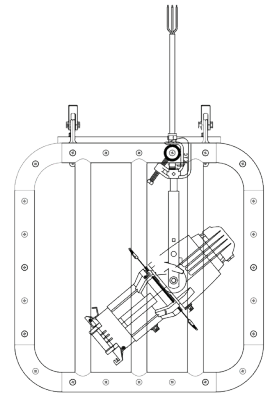
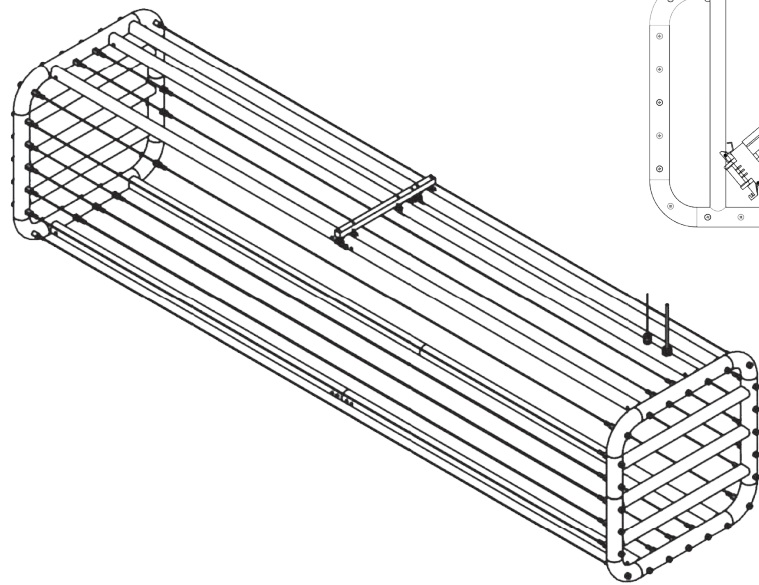


5 Holt Drive,
Stony Point, NY 10980
845-947-3034
www.tslight.com

An easy to assemble protective cage for performance lights which does not block the light output. Smooth, rounded structure with openings less than 5". 30" square end sections are formed from 2" schedule 40 pipe (2.375 OD).

The ends are connected by four 1-1/2" schedule 80 pipe sections and by 20 pre-terminated 1/8" aircraft cables which connect to pairs of internally threaded posts.

Economical shipping. Ships flat, saving hundreds of dollars in freight charges. One package contains the straight pipes. The second contains the two end pieces, cable assemblies, and hardware.



Ordering Matrix

Model	Length (In Inches)	Color
SC30	54 = 4'6"	B = Black Powder Coat W = White Matte, Powder Coat S = Silver (Aluminum Finish) C = Custom Color
	70 = 5'10"	
	86 = 7'2"	
	102 = 8'6"	
	118 = 9'10"	
	134 = 11'2"	
	150 = 12'6"	
	166 = 13'10"	
	182 = 15'2"	
	198 = 16'6"	

Example: SC30 - 70 - B

SC30 - _____ - _____