



PRISM PAR ZOOM

RGBW Specification Sheet



5 Holt Drive,
Stony Point, NY 10980
845-947-3034
info@tslight.com

Main Features

- RGBW color mixing via 19x 15W 4-in-1 LEDs
- Available with black or white housing
- 5°-60° degree zoomable beam angle
- Variable electronic dimming & strobe
- Built-in color & chase + zoom macros via DMX
- Built-in automated programs via master/slave
- Built-in sound active programs
- RGBW color mixing ability in standalone mode
- 5/7 or 9-channel DMX control modes
- Easy-to-use 4-button LED control panel menu display
- Dual mounting brackets for positioning flexibility
- Rugged and well-built
- 3-pin male & female DMX input/output
- PowerCon™ compatible AC power In/Out connectors

Control

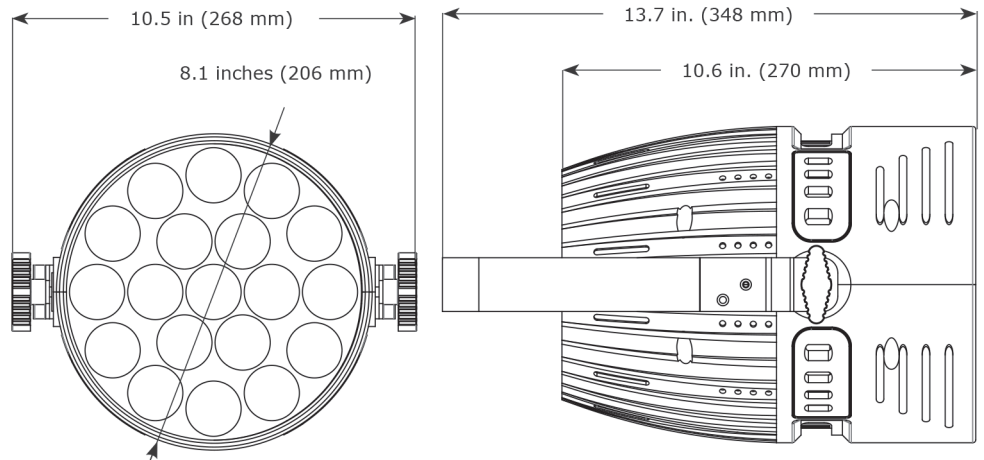
- USITT DMX-512
- 5/7 or 9-channels
- 3-pin XLR male/female input/output
- Standalone, master/slave, auto, sound active

Power

- 19x 15w 4-in-1 RGBW LEDs
- Operating Voltage: 90-250VAC, 50-60 Hertz
- Power Consumption: 305W, 2.55a, pf .96
- Max. Operating Temp.: 104°F (40°C) ambient

Optics

- Beam Angle: 5-60 degree zoomable beam angle
- Luminous Intensity: 15,229 Lux @ 2m (narrow)
2743 Lux @ 2m (wide)



Weight & Dimensions

- Width: 10.5 inches (268 mm)
- Depth: 8.1 inches (206 mm)
- Height: 10.6 in. (270 mm), 13.7 in. (348 mm) w/brackets
- Weight: 11.5 lbs (5.2 kg)

Mounting Options

- MNB** Clamp for pipe up to 2" OD
CM4 Canopy for mounting to J-box
US1 Unistrut mount
STA Controltrac adapter (2x)

Ordering Matrix

Model	Array	Finish	Mounting
PRISMPARZ	RGBW	B - Black W - White	See Options

Example: PRISMPARZ-RGBW-B-MNB

PRISMPARZ-_____-_____-_____

*Specification sheets are subject to change without notice.