

PRISM PAR 12 IP

RGBAW-UV LED Specification Sheet



5 Holt Drive,
Stony Point, NY 10980
845-947-3034
info@tslight.com

Main Features

- 12x 18W 6-in-1 RGBAW+UV LEDs, 100,000 hours
- Natural convection cooled, totally silent operation
- Variable electronic strobe
- Built-in color & chase macros via DMX
- Built-in auto programs & sound active in standalone and M/S
- Color mixing and dimming ability in standalone mode
- 25 degree beam angle
- Flicker-free constant-current LED driver
- LED control panel with 4 touch sensitive buttons
- IP65 Waterproof

Weight & Dimensions

- **Dimensions:** 11" x 5" x 12"
- **Weight:** 10 lbs.

Control

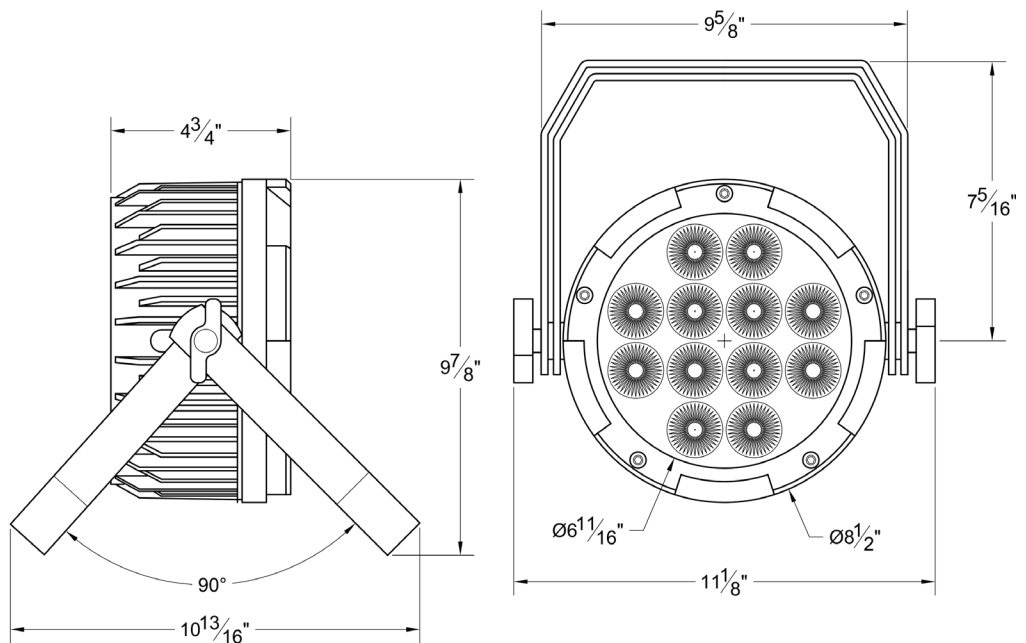
- **Protocol:** USITT DMX-512
- **DMX Channels:** 6-10
- **Input:** 5-pin XLR Male
- **Output:** 5-pin XLR Female
- Standalone, Master/Slave, Sound Active
- Wireless DMX Receiver

Power

- **Voltage:** 100-250 VAC, 50-60 Hertz
- **Power Consumption:** 216W
- PowerCon In / Out

Optics

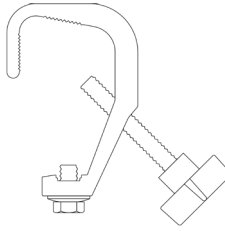
- 12x 18W 6-in-1 RGBAW+UV
- 25° beam angle



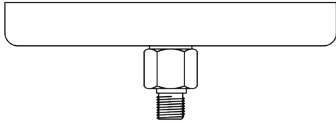
*Specification sheets are subject to change without notice.

Mounting Options

MNB Clamp for pipe up to 2" OD



CM4 Canopy for mounting to J-box



US1 Unistrut mount



Accessories



WINT-DMX

DMX transmitter 1000 ft. range (line of sight)

WINR-DMX

DMX receiver 1000 ft. range (line of sight)

AH12

Accessory Holder

6S

Hood

6BD4

Barndoor

CF12

Color Frame

CF12-673

Spread Lens

SC-B

Safety Cable